

Job Name: 25-3118 - W6 Ph 2-C Force Main Improvements
 Job Location: Fort Mitchell, KY 41017
 Contractor: Lykins Contracting

Plant: 100

3/27/2026 11:40:57 AM

Tech: J. Horsley - A

PC: Celina Goff



Structure ID: 2301566

P6 MH048CCN24

CON CONE w/24" HOLE F/G

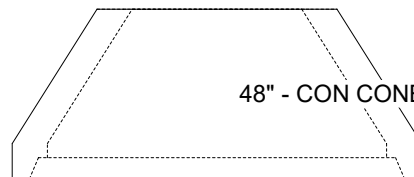
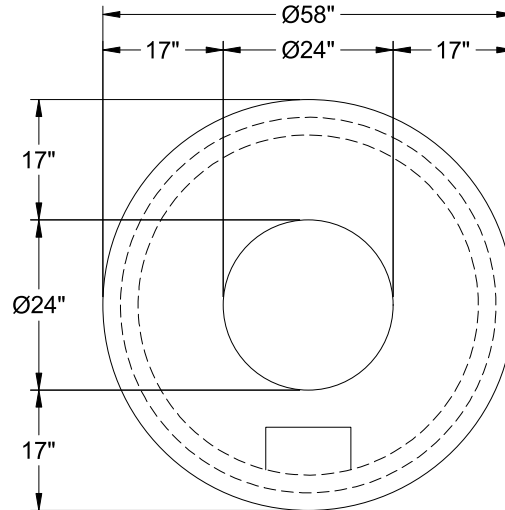
- P7) 24" - CASTING HEIGHT - 7"
- P6) 48" - CON CONE w/24" HOLE F/G - 24"
- P5) 48" - MH RISER T/G - 60"
- P4) 48" - MH RISER T/G - 60"
- P3) 48" - MH RISER T/G - 60"
- P2) 60" - MH Transition Slab 48" Hole T/G - 15"
- P1) 60" - MH BASE (12"F) Custom Ht T/n - 66"
- 1) 60" - MH INVERT CHANNEL - FULL HEIGHT
- 1) 60" - Conseal CS-102 1.00" (Double)
- 4) 48" - Conseal CS-102 1.00" (Double)
- 2) A-Lok - 1235
- 22) MH Step ML-10-TDS-NCR - 10"

0 lb
 2252 lb
 4192 lb
 4192 lb
 4192 lb
 2204 lb
 9635 lb
 2692 lb
 0 lb
 0 lb
 2 lb
 0 lb

Structure Total: 29360 lb

Structure Notes:

1. PER ASTM C-478 SPECIFICATIONS
2. CONCRETE: 4,000 PSI AT 28 DAYS
3. REINFORCEMENT: PER ASTM A615
4. STEPS REQUIRED
5. 7" CASTING SUPPLIED BY OTHERS



Coating (Int):
 Coating (Ext):

Seam Up: Flat
 Seam Dn: Groove

Wall Thickness: 5"

Height (Ext): 24"

Weight (Net): 2252 lb
 Volume (Net): 0.57cu.yd