

Job Name: 25-3118 - W6 Ph 2-C Force Main Improvements
Job Location: Fort Mitchell, KY 41017
Contractor: Lykins Contracting

PC: Celina Goff
 TECH: J. Horsley - A
 Plant: 100



Structure ID: **2301563**
 Spec: Sanitary
 Type: SAN.MH Transition w/Ext. Drop
 Size: 60"

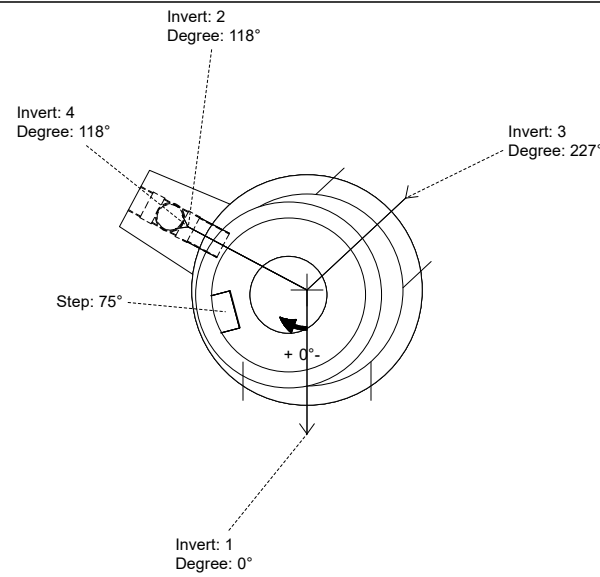
Rim: 757.31'
 Invert: 744.24'
 Rim to Invert: 13.07'

Sump: 3"
 Floor (Top): 743.99'
 Floor Height: 8"

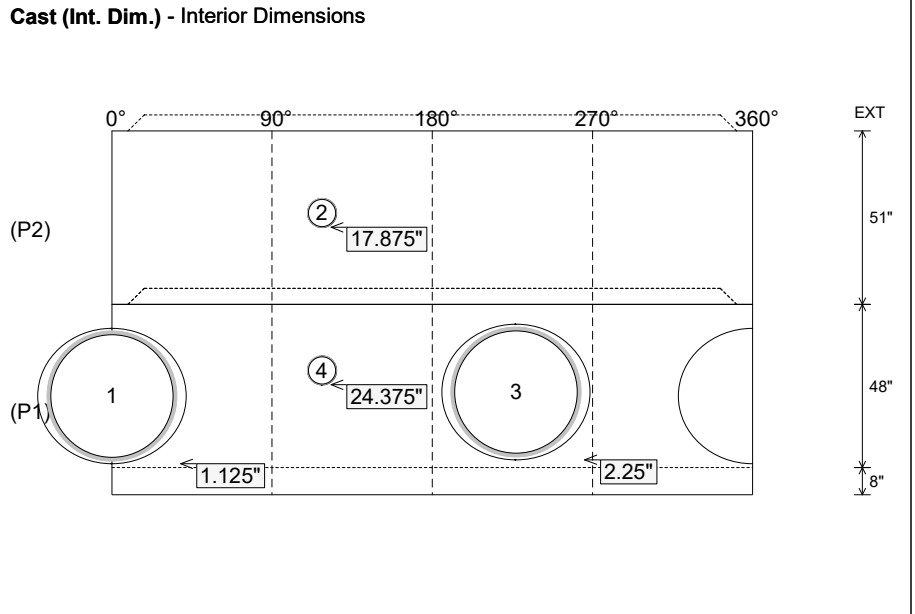
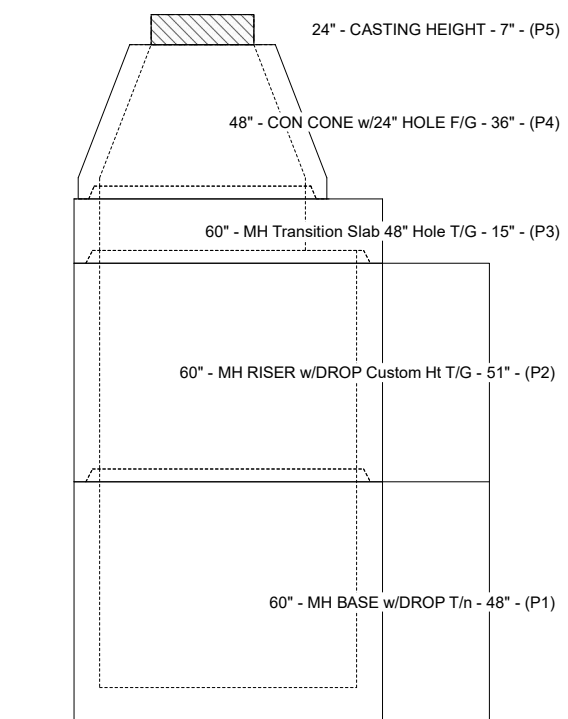
Floor (Bot): 743.323'
 Overall Height: 13.75'
 Slack: 2.84"

- Structure Notes:**
- PER ASTM C-478 SPECIFICATIONS
 - CONCRETE: 4,000 PSI AT 28 DAYS
 - REINFORCEMENT:
 - CONE & RISER: PER ASTM A615
 - TRANSITION SLAB: #5 BAR @ 6" C.C. E.W. (GRADE 60)
 - BASE WALLS: PER ASTM A615 - DOUBLE MAT
 - BASE FLOOR: #5 BAR @ 12" C.C. E.W. (GRADE 60)
 - INVERT CHANNEL REQUIRED
 - STEPS AT 75 DEGREES
 - 7" CASTING SUPPLIED BY OTHERS
 - EXTERIOR DROP AT INVERTS 2 & 4 SUPPLIED BY ICAST

- STRUCTURE SUMMARY:**
- P5) 24" - CASTING HEIGHT - 7" 0 lb
 - P4) 48" - CON CONE w/24" HOLE F/G - 36" 2252 lb
 - P3) 60" - MH Transition Slab 48" Hole T/G - 15" 2204 lb
 - P2) 60" - MH RISER w/DROP Custom Ht T/G - 51" 5295 lb
 - P1) 60" - MH BASE w/DROP T/n - 48" 6361 lb
 - 1) 60" - MH INVERT CHANNEL - FULL HEIGHT 2692 lb
 - 1) SECONDARY POUR - Add Exterior Drop to Base (P1) 2408 lb
 - 1) SECONDARY POUR - Add Exterior Drop to Riser (P2) 2193 lb
 - 2) 60" - Conseal CS-102 1.00" (Double) 0 lb
 - 1) 48" - Conseal CS-102 1.00" (Double) 0 lb
 - 2) A-Lok - 1235 2 lb
 - 1) Drop Tee - 8" PVC 0 lb
 - 1) Drop Elbow - 8" PVC 0 lb
 - 11) MH Step ML-10-TDS-NCR - 10" 0 lb
- Structure Total: 23408 lb



Position	Elev	Angle	Pipe	Pipe OD	Hole	Connector	Up (L)	Ref
Rim	757.31'							
Reducer	752.24'							
Invert 1	744.24'	0°	36" PVC SDR35/F679	38.3"	39.88"	A-Lok 1235	1.125"	P1
Invert 2	749.9'	118°	8" PVC SDR35	8.5"	8.5"	Drop Tee 8" PVC	17.875"	P2
Invert 3	744.34'	227°	36" PVC SDR35/F679	38.3"	39.88"	A-Lok 1235	2.25"	P1
Invert 4	746.04'	118°	8" PVC SDR35	8.5"	8.5"	Drop Elbow 8" PVC	24.375"	P1
Invert 5								
Invert 6								
Invert 7								
Invert 8								



Submittal Drawing 3/17/2026 12:35:51 PM

SUBMITTAL APPROVED BY: