

Job Name: 25-3118 - W6 Ph 2-C Force Main Improvements
 Job Location: Fort Mitchell, KY 41017
 Contractor: Lykins Contracting

Plant: 100

Tech: J. Horsley - A

3/26/2026 2:15:20 PM

PC: Celina Goff



Structure ID: 2301563

P2 MH060RSVF-D

MH RISER w/DROP Custom Ht T/G

- P5) 24" - CASTING HEIGHT - 7"
- P4) 48" - CON CONE w/24" HOLE F/G - 36"
- P3) 60" - MH Transition Slab 48" Hole T/G - 15"
- P2) 60" - MH RISER w/DROP Custom Ht T/G - 51"
- P1) 60" - MH BASE w/DROP T/n - 48"
- 1) 60" - MH INVERT CHANNEL - FULL HEIGHT
- 1) SECONDARY POUR - Add Exterior Drop to Base (P1)
- 1) SECONDARY POUR - Add Exterior Drop to Riser (P2)
- 2) 60" - Conseal CS-102 1.00" (Double)
- 1) 48" - Conseal CS-102 1.00" (Double)
- 2) A-Lok - 1235
- 1) Drop Tee - 8" PVC
- 1) Drop Elbow - 8" PVC
- 11) MH Step ML-10-TDS-NCR - 10"

0 lb
 2252 lb
 2204 lb
 5295 lb
 6361 lb
 2692 lb
 2408 lb
 2193 lb
 0 lb
 0 lb
 2 lb
 0 lb
 0 lb
 0 lb
 0 lb

- Structure Notes:
1. PER ASTM C-478 SPECIFICATIONS
 2. CONCRETE: 4,000 PSI AT 28 DAYS
 3. EXTERIOR DROP REINFORCEMENT: DRILL & STUB #4 BAR @ 12" C.C. E.W. (GRADE 60) - 2" MIN. REBAR CLEARANCE (TYP)
 4. STEPS AT 75 DEGREES
 5. 7" CASTING SUPPLIED BY OTHERS
 6. EXTERIOR DROP AT INVERTS 2 & 4 SUPPLIED BY ICAST
 7. ADD 8" SDR 35 DROP & TEE AT INVERT 2 (118°)

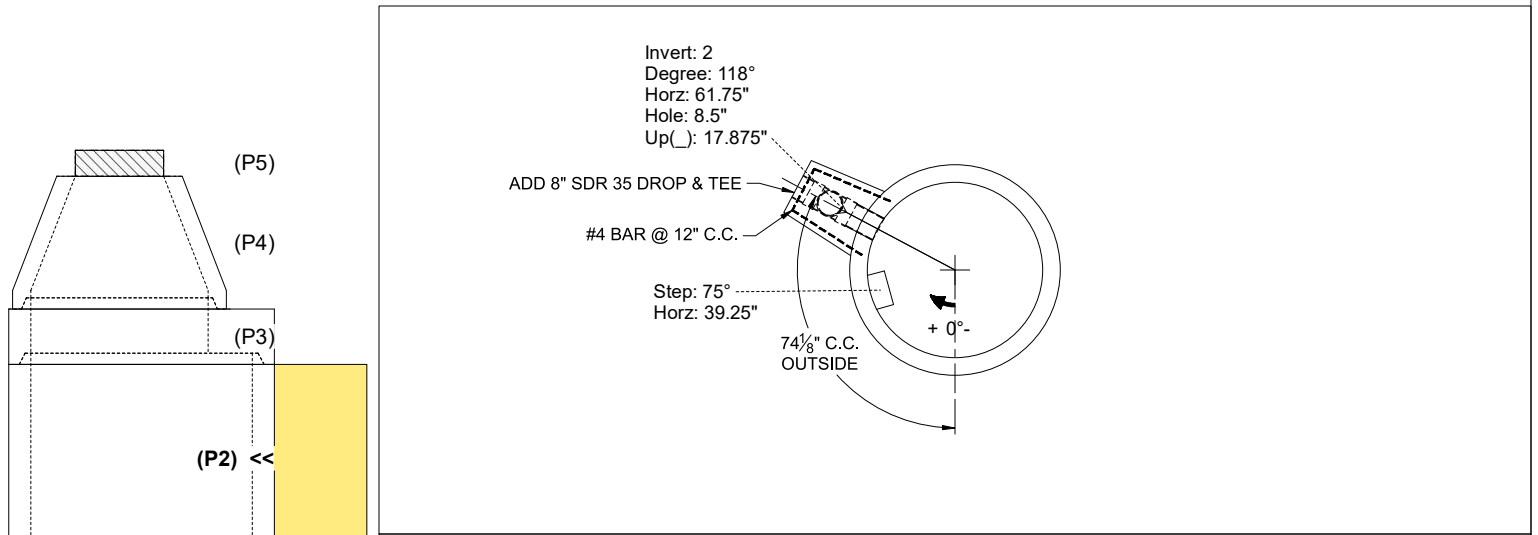
Structure Total: 23408 lb

FIRST POUR (RISER): 5,295 LBS
SECOND POUR (DROP): 2,193 LBS

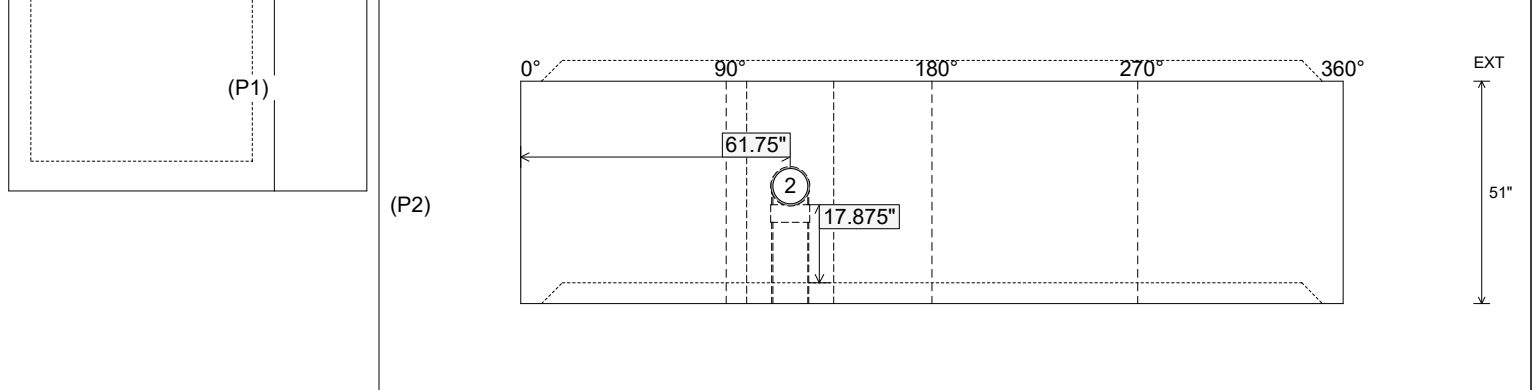
Rim: 757.31' Rim to Invert: 13.07' Slack: 2.84" Sump: 3" Step Position: 75°

Position	Elev	Angle	Ext. (cw)	Pipe	Pipe OD	Connector	Hole	Horz Size	Up (L)	Offset
Invert 1										
Invert 2	749.9'	118°	74.125"	8" PVC SDR35	8.5"	Drop Tee 8" PVC	8.5"	8.529"	17.875"	0"
Invert 3										
Invert 4										
Invert 5										
Invert 6										
Invert 7										
Invert 8										

RIGHT-SIDE UP VIEW (int. dimensions)



INSIDE WALL DIMENSIONS



Coating (Int): Coating (Ext):	Seam Up: Tongue Seam Dn: Groove	Wall Thickness: 6" Floor Height: 0"	Height (Int): 51" Height (Ext): 51"	Weight (Net): 5295 lb Volume (Net): 1.35cu.yd
----------------------------------	------------------------------------	--	--	--