

Job Name: 25-3118 - W6 Ph 2-C Force Main Improvements
Job Location: Fort Mitchell, KY 41017
Contractor: Lykins Contracting

PC: Celina Goff
 TECH: J. Horsley - A
 Plant: 100



Structure ID: **2301562**
 Spec: Sanitary
 Type: SAN.MH Transition
 Size: 72"

Rim: 758.2'
 Invert: 742.78'
 Rim to Invert: 15.42'

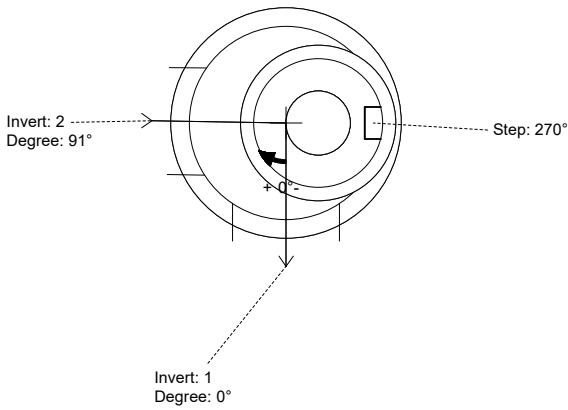
Sump: 3"
 Floor (Top): 742.53'
 Floor Height: 10"

Floor (Bot): 741.697'
 Overall Height: 16.25'
 Slack: 3.04"

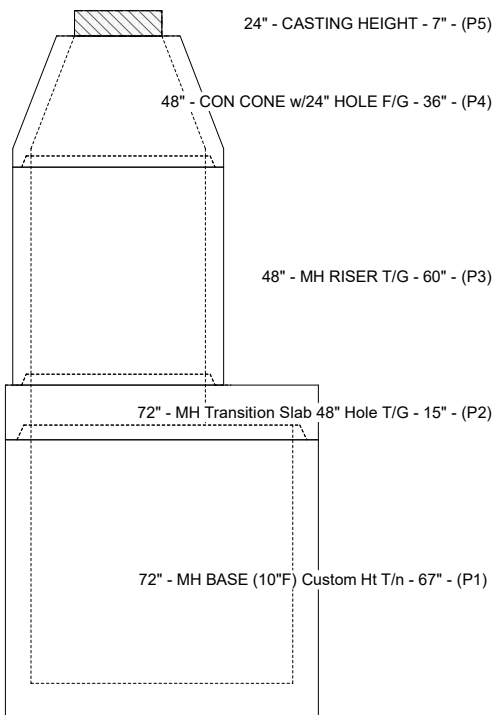
- Structure Notes:**
- PER ASTM C-478 SPECIFICATIONS
 - CONCRETE: 4,000 PSI AT 28 DAYS
 - REINFORCEMENT:
 - CONE & RISER: PER ASTM A615
 - TRANSITION SLAB TOP MAT: #4 BAR @ 18" C.C. E.W. (GRADE 60)
 - TRANSITION SLAB BOTTOM MAT: #4 BAR @ 9" C.C. E.W. (GRADE 60)
 - BASE WALLS: PER ASTM A615 - DOUBLE MAT
 - BASE FLOOR: #5 BAR @ 12" C.C. E.W. (GRADE 60)
 - INVERT CHANNEL REQUIRED
 - STEPS AT 270 DEGREES
 - 7" CASTING SUPPLIED BY OTHERS

STRUCTURE SUMMARY:

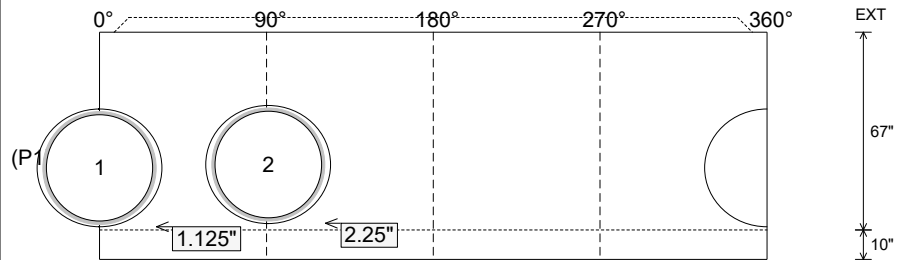
P5) 24" - CASTING HEIGHT - 7"	0 lb
P4) 48" - CON CONE w/24" HOLE F/G - 36"	2252 lb
P3) 48" - MH RISER T/G - 60"	4192 lb
P2) 72" - MH Transition Slab 48" Hole T/G - 15"	3864 lb
P1) 72" - MH BASE (10"F) Custom Ht T/n - 67"	13101 lb
1) 72" - MH INVERT CHANNEL - FULL HEIGHT	5422 lb
1) 72" - Conseal CS-102 1.00" (Double)	0 lb
2) 48" - Conseal CS-102 1.00" (Double)	0 lb
2) A-Lok - 1235	2 lb
14) MH Step ML-10-TDS-NCR - 10"	0 lb
Structure Total:	28833 lb



Position	Elev	Angle	Pipe	Pipe OD	Hole	Connector	Up ()	Ref
Rim	758.2'							
Reducer	748.113'							
Invert 1	742.78'	0°	36" PVC SDR35/F679	38.3"	39.88"	A-Lok 1235	1.125"	P1
Invert 2	742.88'	91°	36" PVC SDR35/F679	38.3"	39.88"	A-Lok 1235	2.25"	P1
Invert 3								
Invert 4								
Invert 5								
Invert 6								
Invert 7								
Invert 8								



Cast (Int. Dim.) - Interior Dimensions



Submittal Drawing
 3/17/2026 12:35:49 PM

SUBMITTAL
 APPROVED BY: