

Job Name: 25-3118 - W6 Ph 2-C Force Main Improvements  
 Job Location: Fort Mitchell, KY 41017  
 Contractor: Lykins Contracting

Plant: 100

3/27/2026 11:40:38 AM

Tech: J. Horsley - A

PC: Celina Goff



**Structure ID: 2301559**

**P3 MH060TS15-48ECC**

**MH Transition Slab 48" Hole T/G**

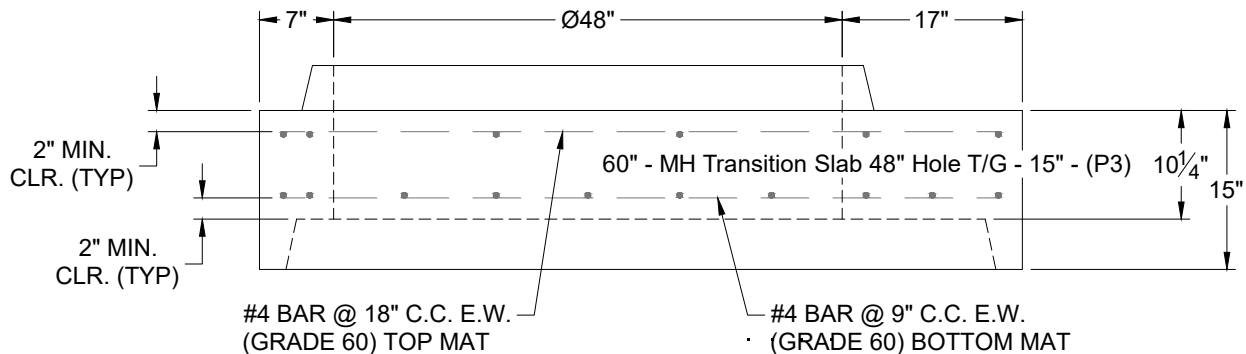
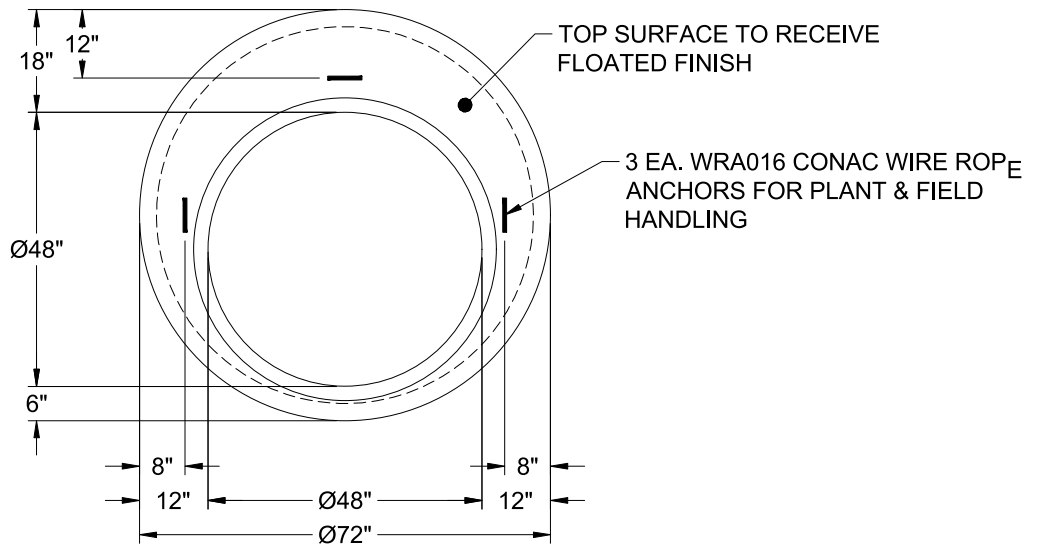
- P6) 24" - CASTING HEIGHT - 7"
- P5) 48" - CON CONE w/24" HOLE F/G - 24"
- P4) 48" - MH RISER T/G - 36"
- P3) 60" - MH Transition Slab 48" Hole T/G - 15"
- P2) 60" - MH RISER w/DROP Custom Ht T/G - 52"
- P1) 60" - MH BASE (10"F) w/DROP Custom Ht T/n - 60"
- 1) 60" - MH INVERT CHANNEL - FULL HEIGHT
- 1) SECONDARY POUR - Add Exterior Drop to Base (P1)
- 1) SECONDARY POUR - Add Exterior Drop to Riser (P2)
- 2) 60" - Conseal CS-102 1.00" (Double)
- 2) 48" - Conseal CS-102 1.00" (Double)
- 2) A-Lok - 1235
- 1) Drop Tee - 8" PVC
- 1) Drop Elbow - 8" PVC
- 14) MH Step ML-10-TDS-NCR - 10"

0 lb  
 2252 lb  
 2515 lb  
 2204 lb  
 5400 lb  
 11306 lb  
 2692 lb  
 3010 lb  
 2236 lb  
 0 lb  
 0 lb  
 2 lb  
 0 lb  
 0 lb  
 0 lb  
 0 lb  
 0 lb  
 -----  
 31617 lb

Structure Notes:

1. PER ASTM C-478 SPECIFICATIONS
2. CONCRETE: 4,000 PSI AT 28 DAYS
3. REINFORCEMENT - 2" MIN. REBAR CLEARANCE (TYP):  
 - TOP MAT: #4 BAR @ 18" C.C. E.W. (GRADE 60)  
 - BOTTOM MAT: #4 BAR @ 9" C.C. E.W. (GRADE 60)
4. 7" CASTING SUPPLIED BY OTHERS
5. LIFTERS: 3 EA. WRA016 CONAC WIRE ROPE ANCHORS FOR PLANT & FIELD HANDLING
6. TOP SURFACE TO RECEIVE FLOATED FINISH

Structure Total: 31617 lb



Coating (Int):  
 Coating (Ext):

Seam Up: Tongue  
 Seam Dn: Groove

Wall Thickness: 6"

Height (Ext): 15"

Weight (Net): 2204 lb  
 Volume (Net): 0.56cu.yd