

Job Name: 25-3118 - W6 Ph 2-C Force Main Improvements
 Job Location: Fort Mitchell, KY 41017
 Contractor: Lykins Contracting

Plant: 100

3/27/2026 11:40:28 AM

Tech: J. Horsley - A

PC: Celina Goff



Structure ID: 2301556

P2 MH072TS15-48ECC

MH Transition Slab 48" Hole T/G

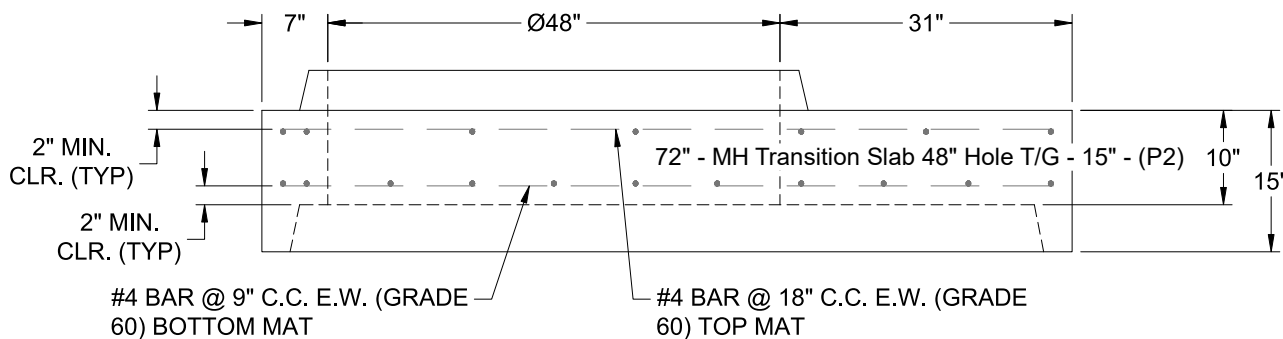
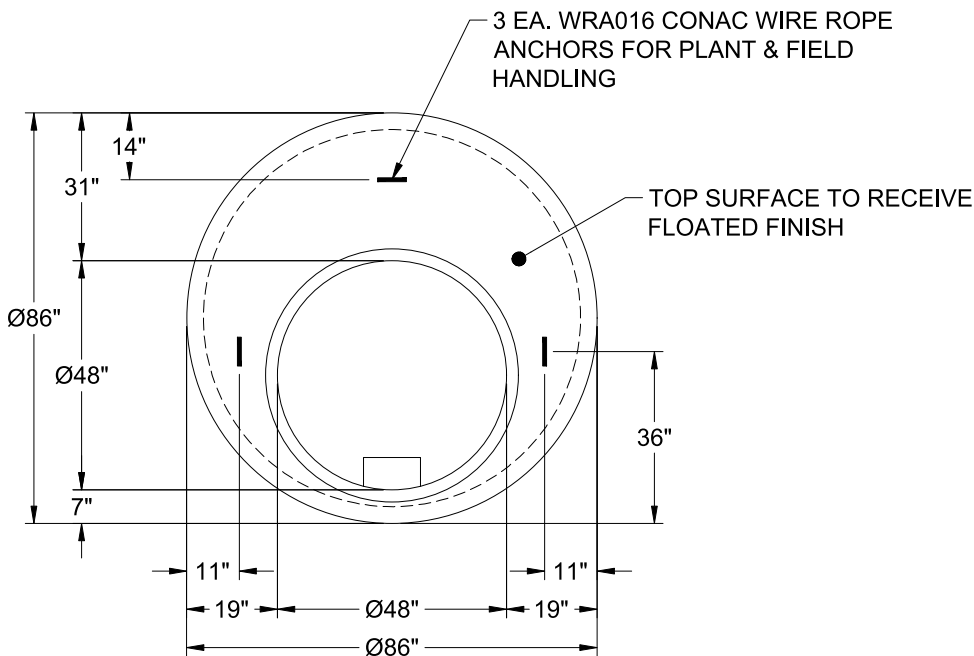
- P5) 24" - CASTING HEIGHT - 7"
- P4) 48" - CON CONE w/24" HOLE F/G - 24"
- P3) 48" - MH RISER T/G - 36"
- P2) 72" - MH Transition Slab 48" Hole T/G - 15"
- P1) 72" - MH BASE T/n - 72"
- 1) 72" - MH INVERT CHANNEL - FULL HEIGHT
- 1) 72" - Conseal CS-102 1.00" (Double)
- 2) 48" - Conseal CS-102 1.00" (Double)
- 2) A-Lok - 1235
- 1) PSX - 12-08 NYLO
- 12) MH Step ML-10-TDS-NCR - 10"

0 lb
 2252 lb
 2515 lb
 3864 lb
 12788 lb
 5422 lb
 0 lb
 0 lb
 2 lb
 8 lb
 0 lb

 Structure Total: 26851 lb

Structure Notes:

1. PER ASTM C-478 SPECIFICATIONS
2. CONCRETE: 4,000 PSI AT 28 DAYS
3. REINFORCEMENT - 2" MIN. REBAR CLEARANCE (TYP):
 - TOP MAT: #4 BAR @ 18" C.C. E.W. (GRADE 60)
 - BOTTOM MAT: #4 BAR @ 9" C.C. E.W. (GRADE 60)
4. STEPS REQUIRED
5. 7" CASTING SUPPLIED BY OTHERS
6. LIFTERS: 3 EA. WRA016 CONAC WIRE ROPE ANCHORS FOR PLANT & FIELD HANDLING
7. TOP SURFACE TO RECEIVE FLOATED FINISH



Coating (Int):
 Coating (Ext):

Seam Up: Tongue
 Seam Dn: Groove

Wall Thickness: 7"

Height (Ext): 15"

Weight (Net): 3864 lb
 Volume (Net): 0.99cu.yd