

Job Name: 25-3118 - W6 Ph 2-C Force Main Improvements
Job Location: Fort Mitchell, KY 41017
Contractor: Lykins Contracting

PC: Celina Goff
 TECH: J. Horsley - A
 Plant: 100



Structure ID: **2301547**
 Spec: Sanitary
 Type: SAN.MH Transition w/Ext. Drop
 Size: 72"

Rim: 752.09'
 Invert: 735.09'
 Rim to Invert: 17'

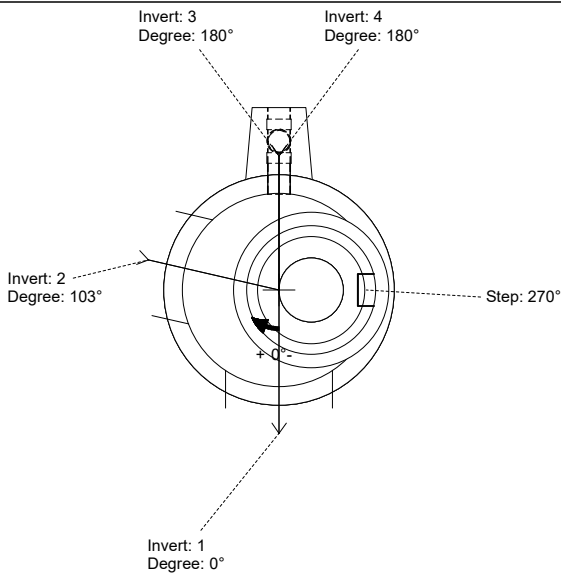
Sump: 3"
 Floor (Top): 734.84'
 Floor Height: 10"

Floor (Bot): 734.007'
 Overall Height: 18'
 Slack: 1"

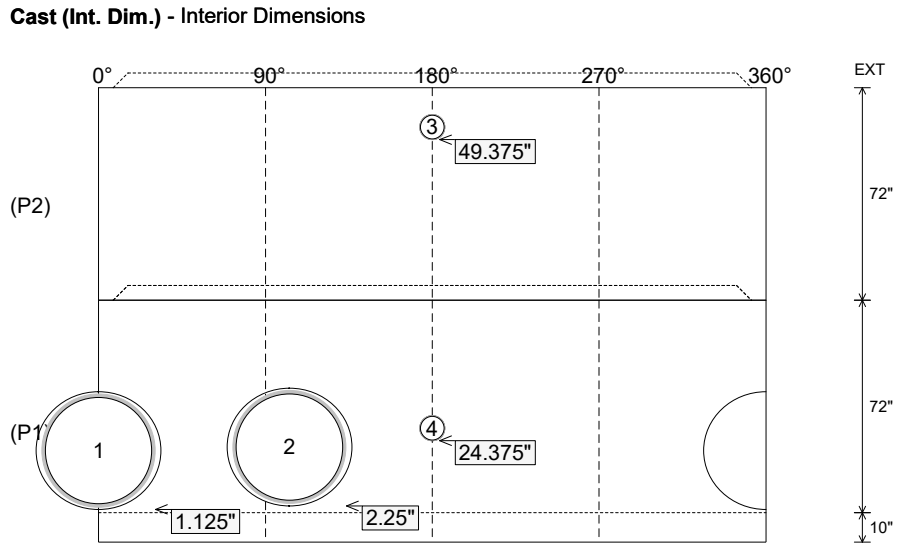
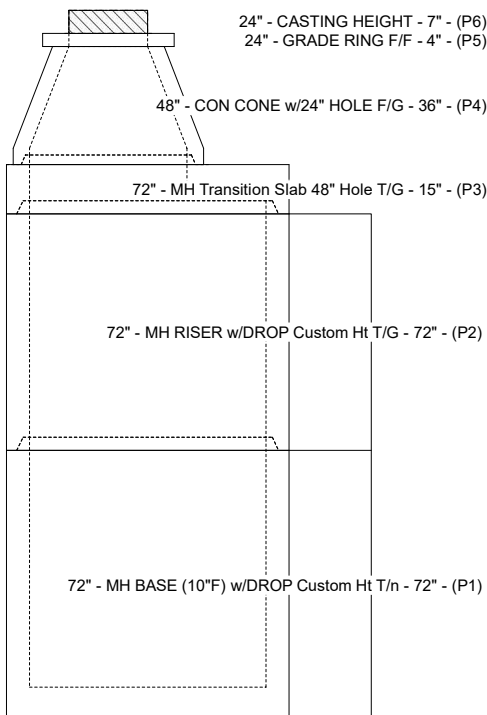
- Structure Notes:**
- PER ASTM C-478 SPECIFICATIONS
 - CONCRETE: 4,000 PSI AT 28 DAYS
 - REINFORCEMENT:
 - CONE & RISER: PER ASTM A615
 - TRANSITION SLAB TOP MAT: #4 BAR @ 18" C.C. E.W. (GRADE 60)
 - TRANSITION SLAB BOTTOM MAT: #4 BAR @ 9" C.C. E.W. (GRADE 60)
 - BASE WALLS: PER ASTM A615 - DOUBLE MAT
 - BASE FLOOR: #5 BAR @ 12" C.C. E.W. (GRADE 60)
 - INVERT CHANNEL REQUIRED
 - STEPS AT 270 DEGREES
 - 7" CASTING SUPPLIED BY OTHERS
 - EXTERIOR DROP AT INVERTS 3 & 4 SUPPLIED BY ICAST

STRUCTURE SUMMARY:

P6) 24" - CASTING HEIGHT - 7"	0 lb
P5) 24" - GRADE RING F/F - 4"	270 lb
P4) 48" - CON CONE w/24" HOLE F/G - 36"	2252 lb
P3) 72" - MH Transition Slab 48" Hole T/G - 15"	3864 lb
P2) 72" - MH RISER w/DROP Custom Ht T/G - 72"	10463 lb
P1) 72" - MH BASE (10"F) w/DROP Custom Ht T/n - 72"	17336 lb
1) 72" - MH INVERT CHANNEL - FULL HEIGHT	5422 lb
1) SECONDARY POUR - Add Exterior Drop to Base (P1)	3526 lb
1) SECONDARY POUR - Add Exterior Drop to Riser (P2)	3096 lb
2) 72" - Conseal CS-102 1.00" (Double)	0 lb
1) 48" - Conseal CS-102 1.00" (Double)	0 lb
2) A-Lok - 1235	2 lb
1) Drop Tee - 8" PVC	0 lb
1) Drop Elbow - 8" PVC	0 lb
16) MH Step ML-10-TDS-NCR - 10"	0 lb
Structure Total:	46231 lb



Position	Elev	Angle	Pipe	Pipe OD	Hole	Connector	Up (L)	Ref
Rim	752.09'							
Reducer	746.84'							
Invert 1	735.09'	0°	36" PVC SDR35/F679	38.3"	39.88"	A-Lok 1235	1.125"	P1
Invert 2	735.19'	103°	36" PVC SDR35/F679	38.3"	39.88"	A-Lok 1235	2.25"	P1
Invert 3	745.39'	180°	8" PVC SDR35	8.5"	8.5"	Drop Tee 8" PVC	49.375"	P2
Invert 4	736.89'	180°	8" PVC SDR35	8.5"	8.5"	Drop Elbow 8" PVC	24.375"	P1
Invert 5								
Invert 6								
Invert 7								
Invert 8								



Submittal Drawing
 3/17/2026 12:35:19 PM

SUBMITTAL
 APPROVED BY: