

Job Name: 25-3118 - W6 Ph 2-C Force Main Improvements  
 Job Location: Fort Mitchell, KY 41017  
 Contractor: Lykins Contracting

Plant: 100

3/27/2026 11:40:06 AM

Tech: J. Horsley - A

PC: Celina Goff



**Structure ID: 2301547**

**P3 MH072TS15-48ECC**

**MH Transition Slab 48" Hole T/G**

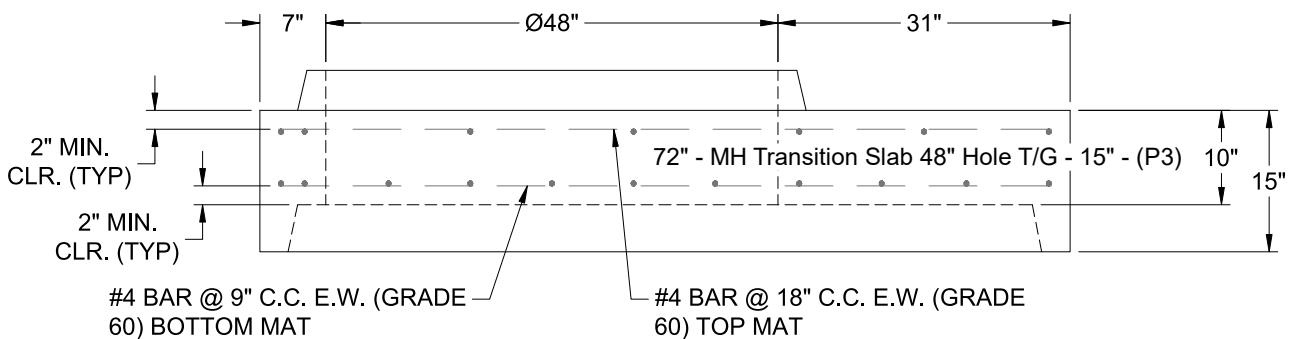
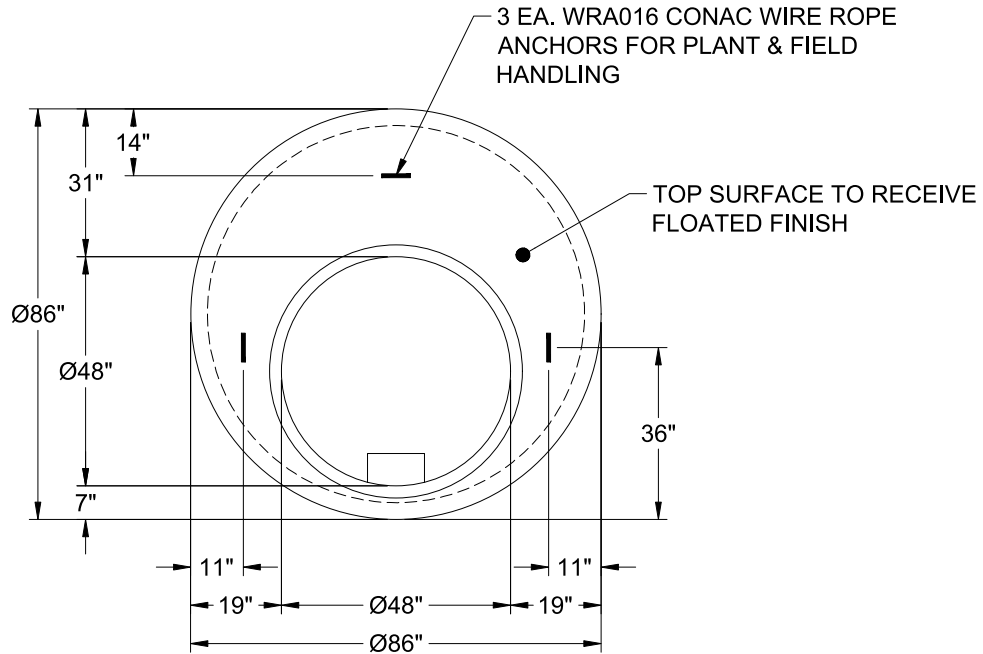
- P6) 24" - CASTING HEIGHT - 7"
- P5) 24" - GRADE RING F/F - 4"
- P4) 48" - CON CONE w/24" HOLE F/G - 36"
- P3) 72" - MH Transition Slab 48" Hole T/G - 15"
- P2) 72" - MH RISER w/DROP Custom Ht T/G - 72"
- P1) 72" - MH BASE (10"F) w/DROP Custom Ht T/n - 72"
- 1) 72" - MH INVERT CHANNEL - FULL HEIGHT
- 1) SECONDARY POUR - Add Exterior Drop to Base (P1)
- 1) SECONDARY POUR - Add Exterior Drop to Riser (P2)
- 2) 72" - Conseal CS-102 1.00" (Double)
- 1) 48" - Conseal CS-102 1.00" (Double)
- 2) A-Lok - 1235
- 1) Drop Tee - 8" PVC
- 1) Drop Elbow - 8" PVC
- 16) MH Step ML-10-TDS-NCR - 10"

- 0 lb
- 270 lb
- 2252 lb
- 3864 lb
- 10463 lb
- 17336 lb
- 5422 lb
- 3526 lb
- 3096 lb
- 0 lb
- 0 lb
- 2 lb
- 0 lb
- 0 lb
- 0 lb
- 0 lb
- 
- 46231 lb

Structure Notes:

1. PER ASTM C-478 SPECIFICATIONS
2. CONCRETE: 4,000 PSI AT 28 DAYS
3. REINFORCEMENT - 2" MIN. REBAR CLEARANCE (TYP):  
 - TOP MAT: #4 BAR @ 18" C.C. E.W. (GRADE 60)  
 - BOTTOM MAT: #4 BAR @ 9" C.C. E.W. (GRADE 60)
4. STEPS REQUIRED
5. 7" CASTING SUPPLIED BY OTHERS
6. LIFTERS: 3 EA. WRA016 CONAC WIRE ROPE ANCHORS FOR PLANT & FIELD HANDLING
7. TOP SURFACE TO RECEIVE FLOATED FINISH

Structure Total: 46231 lb



Coating (Int): Coating (Ext):	Seam Up: Tongue Seam Dn: Groove	Wall Thickness: 7"	Height (Ext): 15"	Weight (Net): 3864 lb Volume (Net): 0.99cu.yd
----------------------------------	------------------------------------	--------------------	-------------------	--