

Job Name: 25-3118 - W6 Ph 2-C Force Main Improvements  
 Job Location: Fort Mitchell, KY 41017  
 Contractor: Lykins Contracting

Plant: 100

Tech: J. Horsley - A

3/26/2026 2:14:48 PM

PC: Celina Goff



**Structure ID: 2301546**

**P2 MH072R60**

**MH RISER w/DROP T/G**

- P6) 24" - CASTING HEIGHT - 7"
- P5) 24" - GRADE RING F/F - 3"
- P4) 48" - CON CONE w/24" HOLE F/G - 36"
- P3) 72" - MH Transition Slab 48" Hole T/G - 15"
- P2) 72" - MH RISER w/DROP T/G - 60"
- P1) 72" - MH BASE w/DROP T/n - 60"
- 1) 72" - MH INVERT CHANNEL - FULL HEIGHT
- 1) SECONDARY POUR - Add Exterior Drop to Base (P1)
- 1) SECONDARY POUR - Add Exterior Drop to Riser (P2)
- 2) 72" - Conseal CS-102 1.00" (Double)
- 1) 48" - Conseal CS-102 1.00" (Double)
- 2) A-Lok - 1235
- 1) Drop Tee - 8" PVC
- 1) Drop Elbow - 8" PVC
- 14) MH Step ML-10-TDS-NCR - 10"

- 0 lb
- 202 lb
- 2252 lb
- 3864 lb
- 8713 lb
- 11072 lb
- 5422 lb
- 2924 lb
- 2580 lb
- 0 lb
- 0 lb
- 2 lb
- 0 lb
- 0 lb
- 0 lb
- 
- Structure Total: 37033 lb

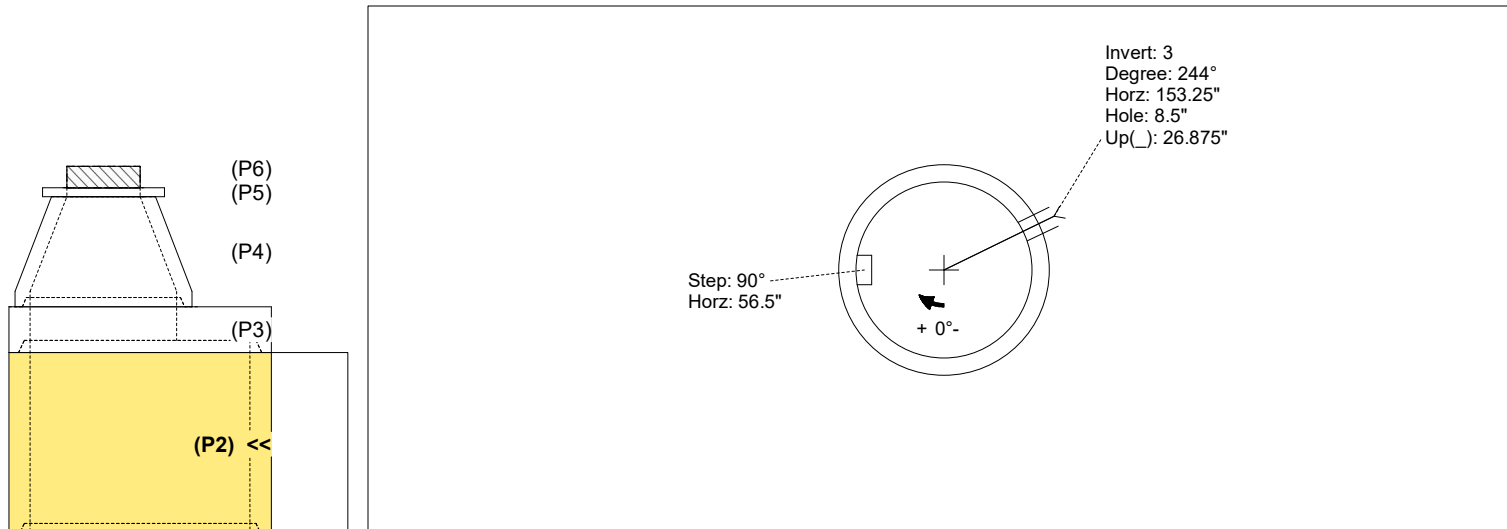
**Structure Notes:**  
 1. PER ASTM C-478 SPECIFICATIONS  
 2. CONCRETE: 4,000 PSI AT 28 DAYS  
 3. REINFORCEMENT: PER ASTM A615  
 4. STEPS AT 90 DEGREES  
 5. 7" CASTING SUPPLIED BY OTHERS  
 6. EXTERIOR DROP AT INVERTS 3 & 4 SUPPLIED BY ICAST

**FIRST POUR (RISER): 8,713 LBS**  
**SECOND POUR (DROP): 2,580 LBS**

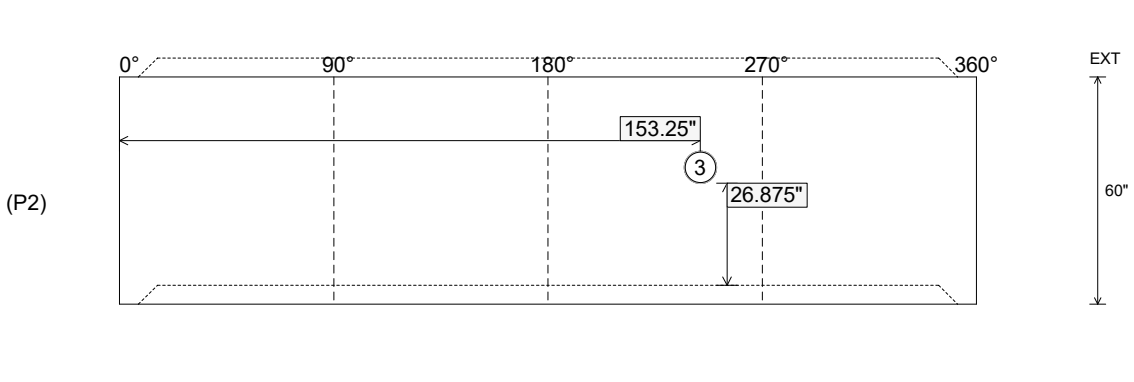
Rim: 749.93' Rim to Invert: 14.92' Slack: 1.04" Sump: 3" Step Position: 90°

Position	Elev	Angle	Ext. (cw)	Pipe	Pipe OD	Connector	Hole	Horz Size	Up ( )	Offset
Invert 1										
Invert 2										
Invert 3	742.44'	244°	183.125"	8" PVC SDR35	8.5"	Drop Tee 8" PVC	8.5"	8.52"	26.875"	0"
Invert 4										
Invert 5										
Invert 6										
Invert 7										
Invert 8										

**RIGHT-SIDE UP VIEW (int. dimensions)**



**INSIDE WALL DIMENSIONS**



Coating (Int): Coating (Ext):	Seam Up: Tongue Seam Dn: Groove	Wall Thickness: 7" Floor Height: 0"	Height (Int): 60" Height (Ext): 60"	Weight (Net): 8713 lb Volume (Net): 2.23cu.yd
----------------------------------	------------------------------------	--	--	--

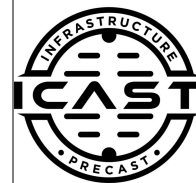
Job Name: 25-3118 - W6 Ph 2-C Force Main Improvements  
 Job Location: Fort Mitchell, KY 41017  
 Contractor: Lykins Contracting

Plant: 100

Tech: J. Horsley - A

3/26/2026 2:14:48 PM

PC: Celina Goff



**Structure ID: 2301546**

**P2 MH072R60**

**MH RISER w/DROP T/G**

- P6) 24" - CASTING HEIGHT - 7"
- P5) 24" - GRADE RING F/F - 3"
- P4) 48" - CON CONE w/24" HOLE F/G - 36"
- P3) 72" - MH Transition Slab 48" Hole T/G - 15"
- P2) 72" - MH RISER w/DROP T/G - 60"
- P1) 72" - MH BASE w/DROP T/n - 60"
- 1) 72" - MH INVERT CHANNEL - FULL HEIGHT
- 1) SECONDARY POUR - Add Exterior Drop to Base (P1)
- 1) SECONDARY POUR - Add Exterior Drop to Riser (P2)
- 2) 72" - Conseal CS-102 1.00" (Double)
- 1) 48" - Conseal CS-102 1.00" (Double)
- 2) A-Lok - 1235
- 1) Drop Tee - 8" PVC
- 1) Drop Elbow - 8" PVC
- 14) MH Step ML-10-TDS-NCR - 10"

0 lb  
 202 lb  
 2252 lb  
 3864 lb  
 8713 lb  
 11072 lb  
 5422 lb  
 2924 lb  
 2580 lb  
 0 lb  
 0 lb  
 2 lb  
 0 lb  
 0 lb  
 0 lb  
 0 lb  
 -----  
 Structure Total: 37033 lb

Structure Notes:

1. PER ASTM C-478 SPECIFICATIONS
2. CONCRETE: 4,000 PSI AT 28 DAYS
3. EXTERIOR DROP REINFORCEMENT: DRILL & STUB #4 BAR @ 12" C.C. E.W. (GRADE 60) - 2" MIN. REBAR CLEARANCE (TYP)
4. STEPS AT 90 DEGREES
5. 7" CASTING SUPPLIED BY OTHERS
6. EXTERIOR DROP AT INVERTS 3 & 4 SUPPLIED BY ICAST
7. ADD 8" SDR 35 DROP & TEE AT INVERT 3 (244°)

**FIRST POUR (RISER): 8,713 LBS**

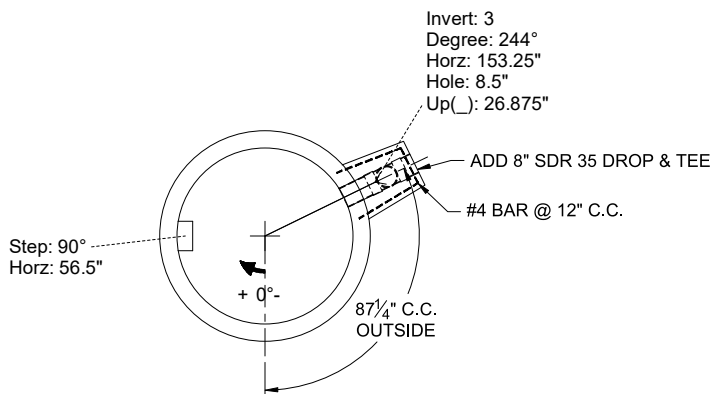
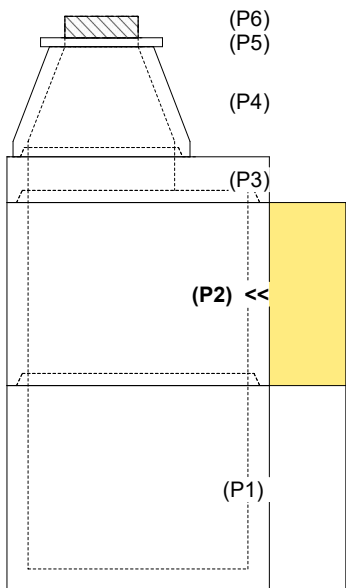
**SECOND POUR (DROP): 2,580 LBS**

Structure Total: 37033 lb

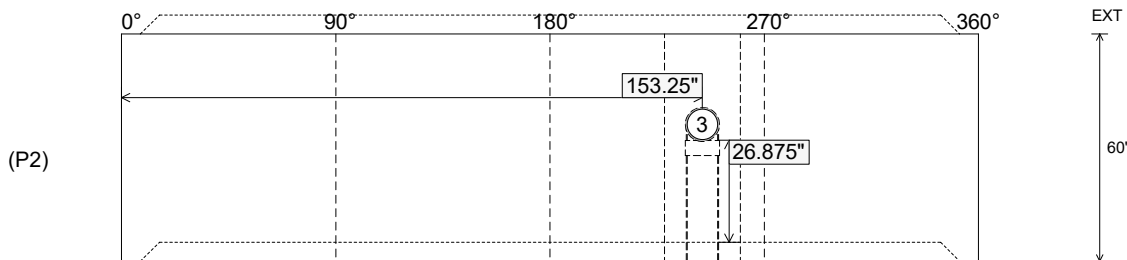
Rim: 749.93' Rim to Invert: 14.92' Slack: 1.04" Sump: 3" Step Position: 90°

Position	Elev	Angle	Ext. (cw)	Pipe	Pipe OD	Connector	Hole	Horz Size	Up ( )	Offset
Invert 1										
Invert 2										
Invert 3	742.44'	244°	183.125"	8" PVC SDR35	8.5"	Drop Tee 8" PVC	8.5"	8.52"	26.875"	0"
Invert 4										
Invert 5										
Invert 6										
Invert 7										
Invert 8										

**RIGHT-SIDE UP VIEW (int. dimensions)**



**INSIDE WALL DIMENSIONS**



Coating (Int):  
 Coating (Ext):

Seam Up: Tongue  
 Seam Dn: Groove

Wall Thickness: 7"  
 Floor Height: 0"

Height (Int): 60"  
 Height (Ext): 60"

Weight (Net): 8713 lb  
 Volume (Net): 2.23cu.yd