

Job Name: 25-3118 - W6 Ph 2-C Force Main Improvements  
 Job Location: Fort Mitchell, KY 41017  
 Contractor: Lykins Contracting

Plant: 100

Tech: J. Horsley - A

3/20/2026 1:21:27 PM

PC: Celina Goff



**Structure ID: 2301545**

**P1 MH060BAVF**

**MH BASE (10"F) Custom Ht T/n**

- P5) 24" - CASTING HEIGHT - 7"
- P4) 48" - CON CONE w/24" HOLE F/G - 36"
- P3) 48" - MH RISER T/G - 72"
- P2) 60" - MH Transition Slab 48" Hole T/G - 15"
- P1) 60" - MH BASE (10"F) Custom Ht T/n - 69"
- 1) 60" - MH INVERT CHANNEL - FULL HEIGHT
- 1) 60" - Conseal CS-102 1.00" (Double)
- 2) 48" - Conseal CS-102 1.00" (Double)
- 2) A-Lok - 1235
- 15) MH Step ML-10-TDS-NCR - 10"

0 lb  
 2252 lb  
 5030 lb  
 2204 lb  
 9265 lb  
 2692 lb  
 0 lb  
 0 lb  
 2 lb  
 0 lb  
 -----  
 Structure Total: 21445 lb

Structure Notes:

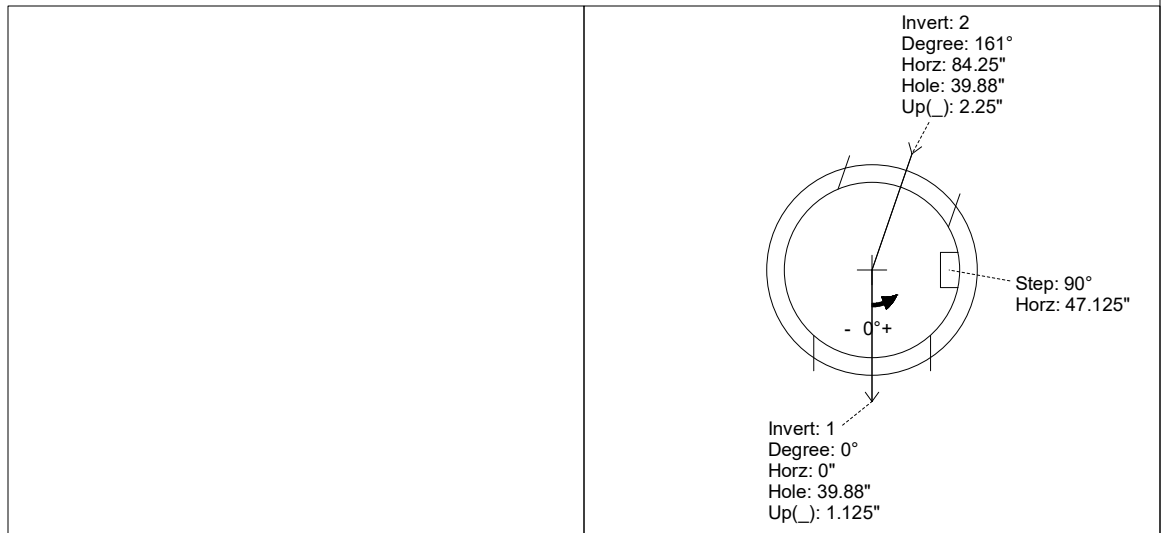
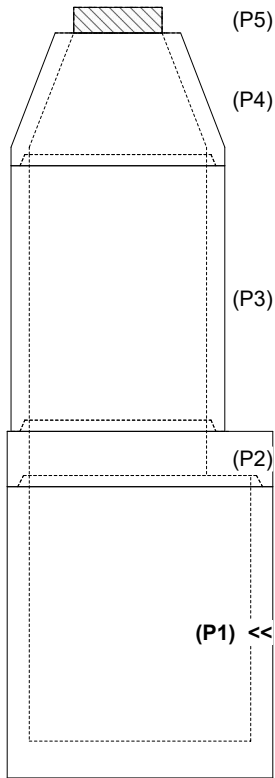
1. PER ASTM C-478 SPECIFICATIONS
2. CONCRETE: 4,000 PSI AT 28 DAYS
3. REINFORCEMENT:
  - WALLS: PER ASTM A615 - DOUBLE MAT
  - FLOOR: #5 BAR @ 12" C.C. E.W. (GRADE 60) - 2" MIN. REBAR CLEARANCE (TYP)
4. INVERT CHANNEL REQUIRED
5. STEPS AT 90 DEGREES
6. 7" CASTING SUPPLIED BY OTHERS

Rim: 751.2' Rim to Invert: 16.52' Slack: 2.24" Sump: 3" Step Position: 90°

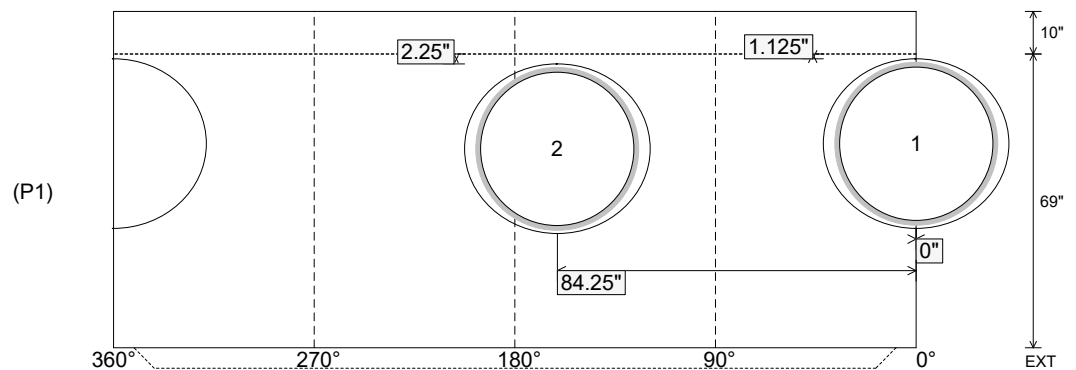
Position	Elev	Angle	Ext. (cw)	Pipe	Pipe OD	Connector	Hole	Horz Size	Up ( )	Offset
Invert 1	734.68'	0°	0"	36" PVC SDR35/F679	38.3"	A-Lok 1235	39.88"	43.623"	1.125"	0"
Invert 2	734.78'	161°	101.125"	36" PVC SDR35/F679	38.3"	A-Lok 1235	39.88"	43.623"	2.25"	0"
Invert 3										
Invert 4										
Invert 5										
Invert 6										
Invert 7										
Invert 8										

RIGHT-SIDE UP VIEW (int. dimensions)

UPSIDE-DOWN VIEW (int. dimensions)



INSIDE WALL DIMENSIONS



Coating (Int):  
 Coating (Ext):

Seam Up: Tongue  
 Seam Dn: n/a

Wall Thickness: 6"  
 Floor Height: 10"

Height (Int): 69"  
 Height (Ext): 79"

Weight (Net): 9265 lb  
 Volume (Net): 2.37cu.yd

**Structure ID: 2301545**

**P1 MH060BAVF**

**MH BASE (10"F) Custom Ht T/n**

P5) 24" - CASTING HEIGHT - 7" P4) 48" - CON CONE w/24" HOLE F/G - 36" P3) 48" - MH RISER T/G - 72" P2) 60" - MH Transition Slab 48" Hole T/G - 15" P1) 60" - MH BASE (10"F) Custom Ht T/n - 69" 1) 60" - MH INVERT CHANNEL - FULL HEIGHT 1) 60" - Conseal CS-102 1.00" (Double) 2) 48" - Conseal CS-102 1.00" (Double) 2) A-Lok - 1235 15) MH Step ML-10-TDS-NCR - 10"	<table style="width:100%; border-collapse: collapse;"> <tr><td style="text-align: right;">0 lb</td><td></td></tr> <tr><td style="text-align: right;">2252 lb</td><td></td></tr> <tr><td style="text-align: right;">5030 lb</td><td></td></tr> <tr><td style="text-align: right;">2204 lb</td><td></td></tr> <tr><td style="text-align: right;">9265 lb</td><td></td></tr> <tr><td style="text-align: right;">2692 lb</td><td></td></tr> <tr><td style="text-align: right;">0 lb</td><td></td></tr> <tr><td style="text-align: right;">0 lb</td><td></td></tr> <tr><td style="text-align: right;">2 lb</td><td></td></tr> <tr><td style="text-align: right;">0 lb</td><td></td></tr> <tr><td style="text-align: right;">-----</td><td></td></tr> <tr><td style="text-align: right;">Structure Total:</td><td style="text-align: right;">21445 lb</td></tr> </table>	0 lb		2252 lb		5030 lb		2204 lb		9265 lb		2692 lb		0 lb		0 lb		2 lb		0 lb		-----		Structure Total:	21445 lb
0 lb																									
2252 lb																									
5030 lb																									
2204 lb																									
9265 lb																									
2692 lb																									
0 lb																									
0 lb																									
2 lb																									
0 lb																									
-----																									
Structure Total:	21445 lb																								

**Structure Notes:**

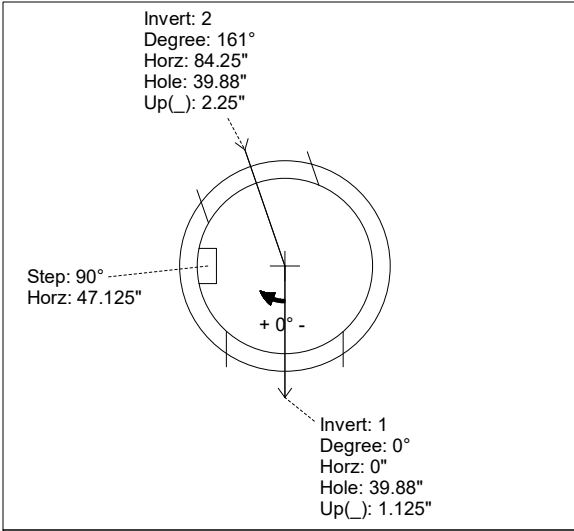
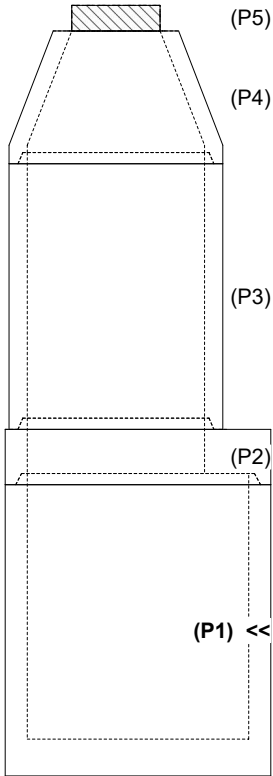
1. PER ASTM C-478 SPECIFICATIONS
2. CONCRETE: 4,000 PSI AT 28 DAYS
3. REINFORCEMENT:
  - WALLS: PER ASTM A615 - DOUBLE MAT
  - FLOOR: #5 BAR @ 12" C.C. E.W. (GRADE 60) - 2" MIN. REBAR CLEARANCE (TYP)
4. INVERT CHANNEL REQUIRED
5. STEPS AT 90 DEGREES
6. 7" CASTING SUPPLIED BY OTHERS

Rim: 751.2'    Rim to Invert: 16.52'    Slack: 2.24"    Sump: 3"    Step Position: 90°

Position	Elev	Angle	Ext. (cw)	Pipe	Pipe OD	Connector	Hole	Horz Size	Up ( )	Offset
Invert 1	734.68'	0°	0"	36" PVC SDR35/F679	38.3"	A-Lok 1235	39.88"	43.623"	1.125"	0"
Invert 2	734.78'	161°	101.125"	36" PVC SDR35/F679	38.3"	A-Lok 1235	39.88"	43.623"	2.25"	0"
Invert 3										
Invert 4										
Invert 5										
Invert 6										
Invert 7										
Invert 8										

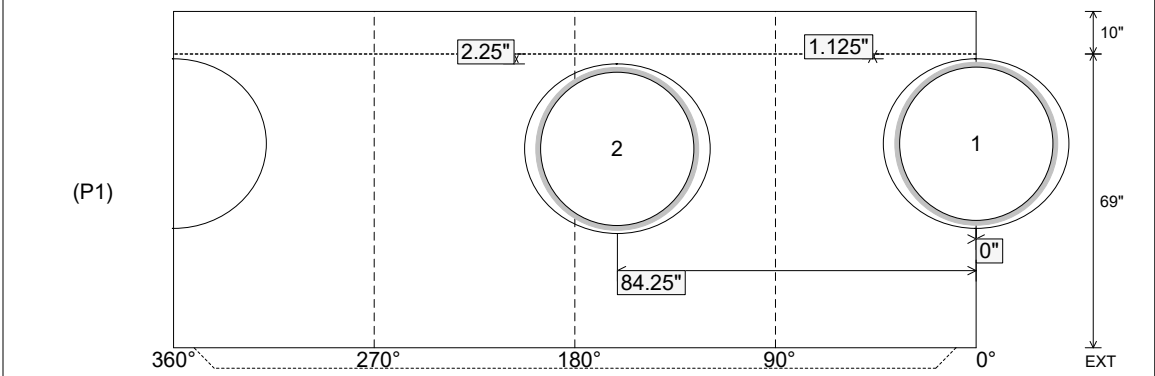
RIGHT-SIDE UP VIEW (int. dimensions)

UPSIDE-DOWN VIEW (int. dimensions)



INVERT CHANNEL  
DRAWING

INSIDE WALL DIMENSIONS



Coating (Int): Coating (Ext):	Seam Up: Tongue Seam Dn: n/a	Wall Thickness: 6" Floor Height: 10"	Height (Int): 69" Height (Ext): 79"	Weight (Net): 9265 lb Volume (Net): 2.37cu.yd
----------------------------------	---------------------------------	-----------------------------------------	----------------------------------------	--------------------------------------------------