

Job Name: 25-3118 - W6 Ph 2-C Force Main Improvements  
 Job Location: Fort Mitchell, KY 41017  
 Contractor: Lykins Contracting

Plant: 100

Tech: J. Horsley - A

3/20/2026 1:21:24 PM

PC: Celina Goff



**Structure ID: 2301543**

**P1 MH060BAVF**

**MH BASE (12"F) Custom Ht T/n**

- P6) 24" - CASTING HEIGHT - 7"
- P5) 48" - CON CONE w/24" HOLE F/G - 36"
- P4) 48" - MH RISER T/G - 60"
- P3) 48" - MH RISER T/G - 72"
- P2) 60" - MH Transition Slab 48" Hole T/G - 15"
- P1) 60" - MH BASE (12"F) Custom Ht T/n - 58"
- 1) 60" - MH INVERT CHANNEL - FULL HEIGHT
- 1) 60" - Conseal CS-102 1.00" (Double)
- 3) 48" - Conseal CS-102 1.00" (Double)
- 2) A-Lok - 1235
- 19) MH Step ML-10-TDS-NCR - 10"

- 0 lb
- 2252 lb
- 4192 lb
- 5030 lb
- 2204 lb
- 8800 lb
- 2692 lb
- 0 lb
- 0 lb
- 2 lb
- 0 lb

Structure Total: 25172 lb

Structure Notes:

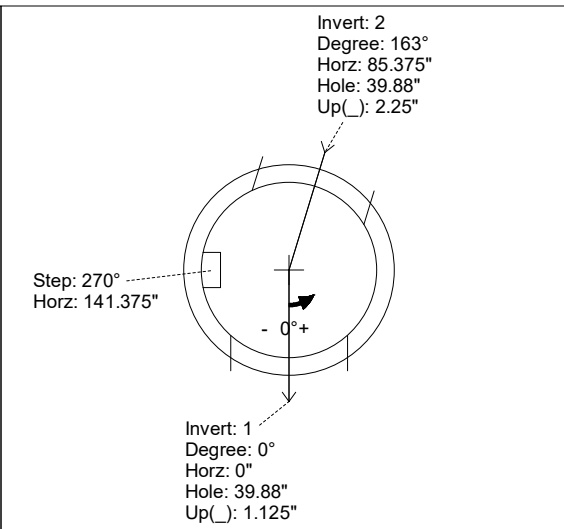
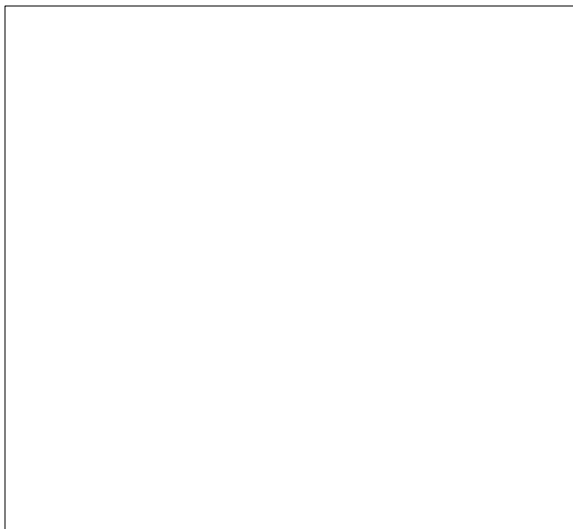
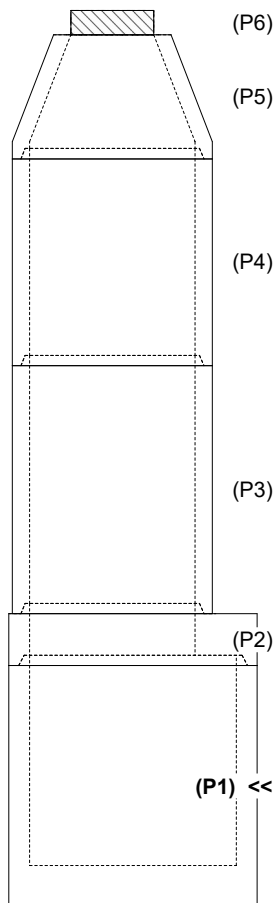
1. PER ASTM C-478 SPECIFICATIONS
2. CONCRETE: 4,000 PSI AT 28 DAYS
3. REINFORCEMENT:
  - WALLS: PER ASTM A615 - DOUBLE MAT
  - FLOOR: #5 BAR @ 12" C.C. E.W. (GRADE 60) - 2" MIN. REBAR CLEARANCE (TYP)
4. INVERT CHANNEL REQUIRED
5. STEPS AT 270 DEGREES
6. 7" CASTING SUPPLIED BY OTHERS

Rim: 754.68' Rim to Invert: 20.56' Slack: 1.72" Sump: 3" Step Position: 270°

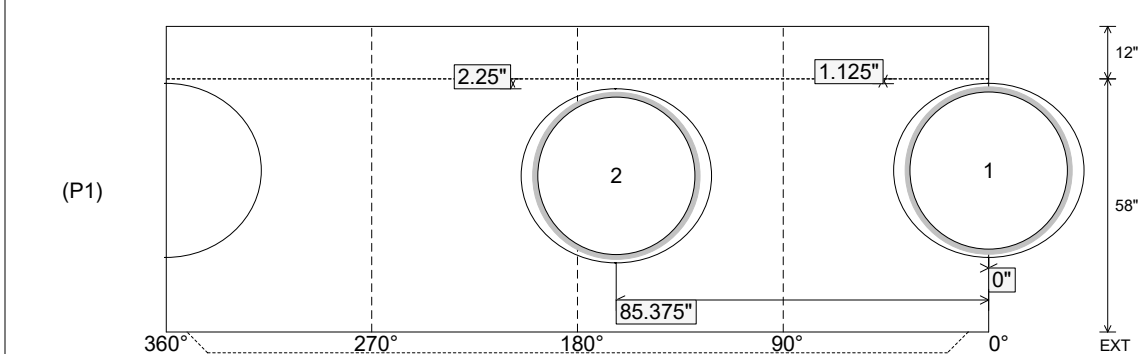
Position	Elev	Angle	Ext. (cw)	Pipe	Pipe OD	Connector	Hole	Horz Size	Up ( )	Offset
Invert 1	734.12'	0°	0"	36" PVC SDR35/F679	38.3"	A-Lok 1235	39.88"	43.623"	1.125"	0"
Invert 2	734.22'	163°	102.375"	36" PVC SDR35/F679	38.3"	A-Lok 1235	39.88"	43.623"	2.25"	0"
Invert 3										
Invert 4										
Invert 5										
Invert 6										
Invert 7										
Invert 8										

RIGHT-SIDE UP VIEW (int. dimensions)

UPSIDE-DOWN VIEW (int. dimensions)



INSIDE WALL DIMENSIONS



Coating (Int):  
Coating (Ext):

Seam Up: Tongue  
Seam Dn: n/a

Wall Thickness: 6"  
Floor Height: 12"

Height (Int): 58"  
Height (Ext): 70"

Weight (Net): 8800 lb  
Volume (Net): 2.25cu.yd

**Structure ID: 2301543**

**P1 MH060BAVF**

**MH BASE (12"F) Custom Ht T/n**

P6) 24" - CASTING HEIGHT - 7" P5) 48" - CON CONE w/24" HOLE F/G - 36" P4) 48" - MH RISER T/G - 60" P3) 48" - MH RISER T/G - 72" P2) 60" - MH Transition Slab 48" Hole T/G - 15" P1) 60" - MH BASE (12"F) Custom Ht T/n - 58" 1) 60" - MH INVERT CHANNEL - FULL HEIGHT 1) 60" - Conseal CS-102 1.00" (Double) 3) 48" - Conseal CS-102 1.00" (Double) 2) A-Lok - 1235 19) MH Step ML-10-TDS-NCR - 10"	0 lb 2252 lb 4192 lb 5030 lb 2204 lb 8800 lb 2692 lb 0 lb 0 lb 2 lb 0 lb _____ Structure Total: 25172 lb
---	--

**Structure Notes:**

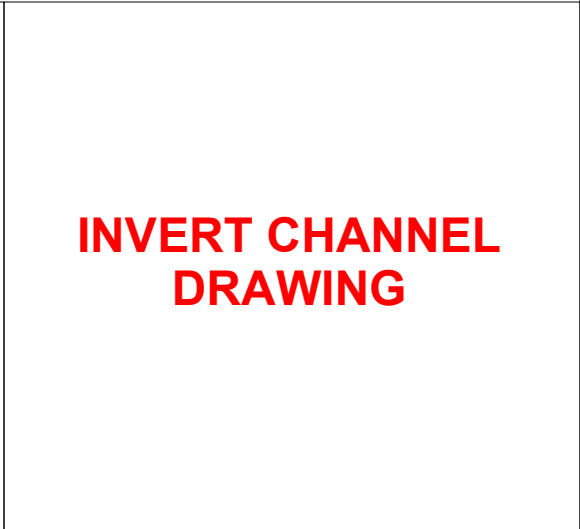
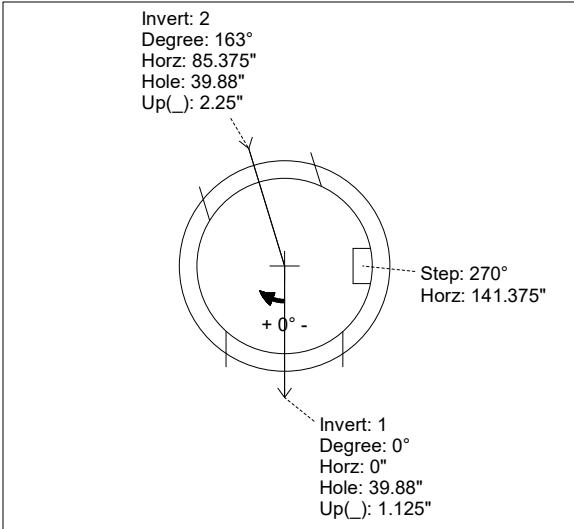
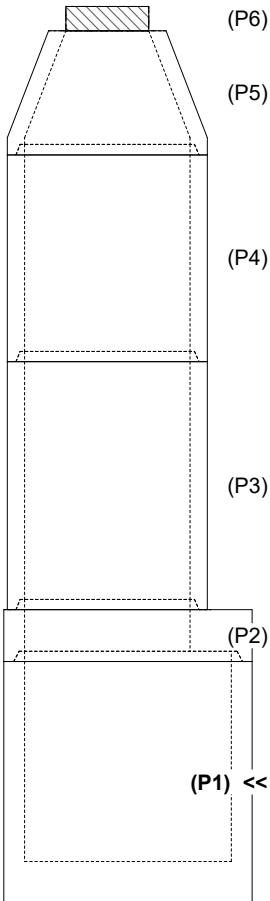
1. PER ASTM C-478 SPECIFICATIONS
2. CONCRETE: 4,000 PSI AT 28 DAYS
3. REINFORCEMENT:
  - WALLS: PER ASTM A615 - DOUBLE MAT
  - FLOOR: #5 BAR @ 12" C.C. E.W. (GRADE 60) - 2" MIN. REBAR CLEARANCE (TYP)
4. INVERT CHANNEL REQUIRED
5. STEPS AT 270 DEGREES
6. 7" CASTING SUPPLIED BY OTHERS

Rim: 754.68'    Rim to Invert: 20.56'    Slack: 1.72"    Sump: 3"    Step Position: 270°

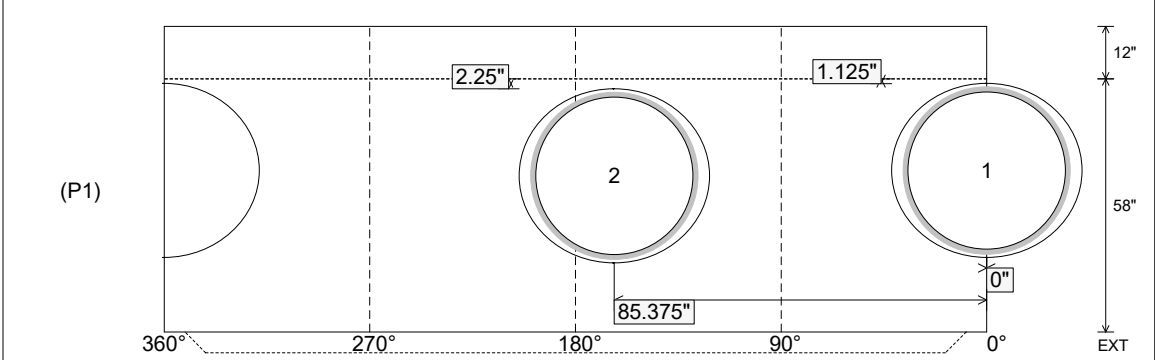
Position	Elev	Angle	Ext. (cw)	Pipe	Pipe OD	Connector	Hole	Horz Size	Up ( )	Offset
Invert 1	734.12'	0°	0"	36" PVC SDR35/F679	38.3"	A-Lok 1235	39.88"	43.623"	1.125"	0"
Invert 2	734.22'	163°	102.375"	36" PVC SDR35/F679	38.3"	A-Lok 1235	39.88"	43.623"	2.25"	0"
Invert 3										
Invert 4										
Invert 5										
Invert 6										
Invert 7										
Invert 8										

RIGHT-SIDE UP VIEW (int. dimensions)

UPSIDE-DOWN VIEW (int. dimenions)



INSIDE WALL DIMENSIONS



Coating (Int): Coating (Ext):	Seam Up: Tongue Seam Dn: n/a	Wall Thickness: 6" Floor Height: 12"	Height (Int): 58" Height (Ext): 70"	Weight (Net): 8800 lb Volume (Net): 2.25cu.yd
----------------------------------	---------------------------------	---	--	--