

Job Name: 25-3118 - W6 Ph 2-C Force Main Improvements
Job Location: Fort Mitchell, KY 41017
Contractor: Lykins Contracting

PC: Celina Goff
 TECH: J. Horsley - A
 Plant: 100



Structure ID: **2301542**
 Spec: Sanitary
 Type: SAN.MH Transition w/Ext. Drop
 Size: 60"

Rim: 751.38'
 Invert: 733.85'
 Rim to Invert: 17.53'

Sump: 3"
 Floor (Top): 733.6'
 Floor Height: 10"

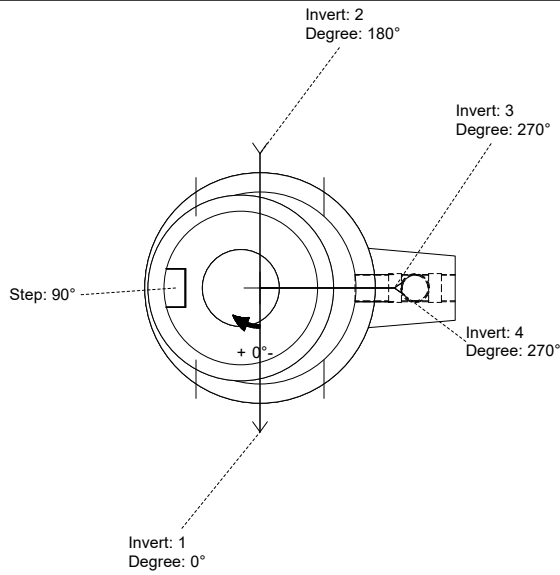
Floor (Bot): 732.767'
 Overall Height: 18.583'
 Slack: 0.36"

Structure Notes:

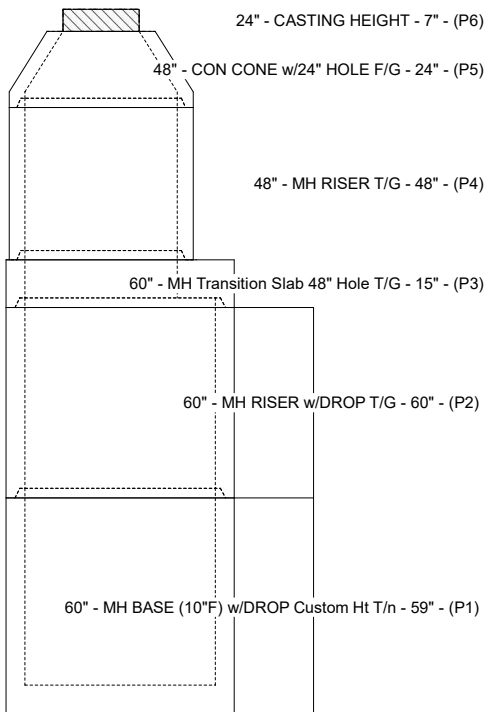
- PER ASTM C-478 SPECIFICATIONS
- CONCRETE: 4,000 PSI AT 28 DAYS
- REINFORCEMENT:
 - CONE & RISERS: PER ASTM A615
 - TRANSITION SLAB: #5 BAR @ 6" C.C. E.W. (GRADE 60)
 - BASE WALLS: PER ASTM A615 - DOUBLE MAT
 - BASE FLOOR: #5 BAR @ 12" C.C. E.W. (GRADE 60)
- INVERT CHANNEL REQUIRED
- STEPS AT 90 DEGREES
- 7" CASTING SUPPLIED BY OTHERS
- EXTERIOR DROP AT INVERTS 3 & 4 SUPPLIED BY ICAST

STRUCTURE SUMMARY:

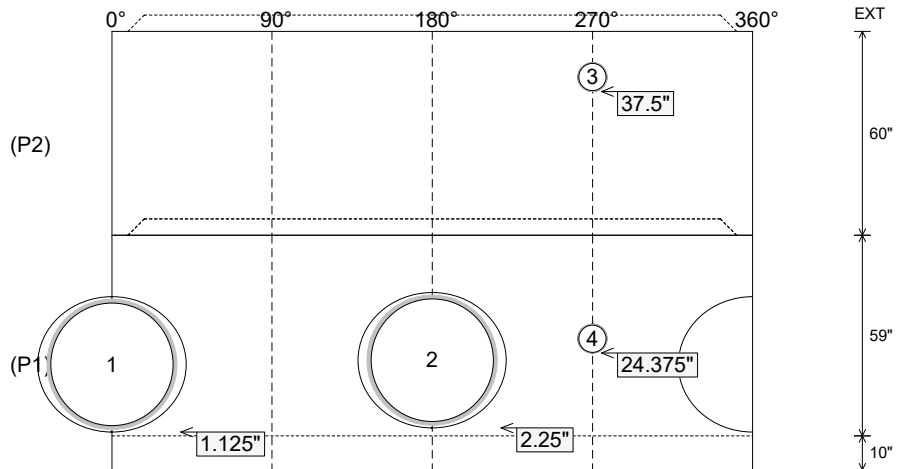
P6) 24" - CASTING HEIGHT - 7"	0 lb
P5) 48" - CON CONE w/24" HOLE F/G - 24"	2252 lb
P4) 48" - MH RISER T/G - 48"	3353 lb
P3) 60" - MH Transition Slab 48" Hole T/G - 15"	2204 lb
P2) 60" - MH RISER w/DROP T/G - 60"	6235 lb
P1) 60" - MH BASE (10"F) w/DROP Custom Ht T/n - 59"	11159 lb
1) 60" - MH INVERT CHANNEL - FULL HEIGHT	2692 lb
1) SECONDARY POUR - Add Exterior Drop to Base (P1)	2967 lb
1) SECONDARY POUR - Add Exterior Drop to Riser (P2)	2580 lb
2) 60" - Conseal CS-102 1.00" (Double)	0 lb
2) 48" - Conseal CS-102 1.00" (Double)	0 lb
2) A-Lok - 1235	2 lb
1) Drop Tee - 8" PVC	0 lb
1) Drop Elbow - 8" PVC	0 lb
16) MH Step ML-10-TDS-NCR - 10"	0 lb
Structure Total:	33444 lb



Position	Elev	Angle	Pipe	Pipe OD	Hole	Connector	Up (")	Ref
Rim	751.38'							
Reducer	743.517'							
Invert 1	733.85'	0°	36" PVC SDR35/F679	38.3"	39.88"	A-Lok 1235	1.125"	P1
Invert 2	733.95'	180°	36" PVC SDR35/F679	38.3"	39.88"	A-Lok 1235	2.25"	P1
Invert 3	742.06'	270°	8" PVC SDR35	8.5"	8.5"	Drop Tee 8" PVC	37.5"	P2
Invert 4	735.65'	270°	8" PVC SDR35	8.5"	8.5"	Drop Elbow 8" PVC	24.375"	P1
Invert 5								
Invert 6								
Invert 7								
Invert 8								



Cast (Int. Dim.) - Interior Dimensions



Submittal Drawing
 3/17/2026 12:35:10 PM

SUBMITTAL
 APPROVED BY: