

Job Name: 25-3118 - W6 Ph 2-C Force Main Improvements  
 Job Location: Fort Mitchell, KY 41017  
 Contractor: Lykins Contracting

Plant: 100

3/27/2026 11:39:37 AM

Tech: J. Horsley - A

PC: Celina Goff



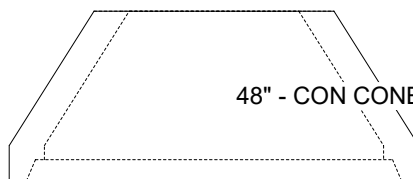
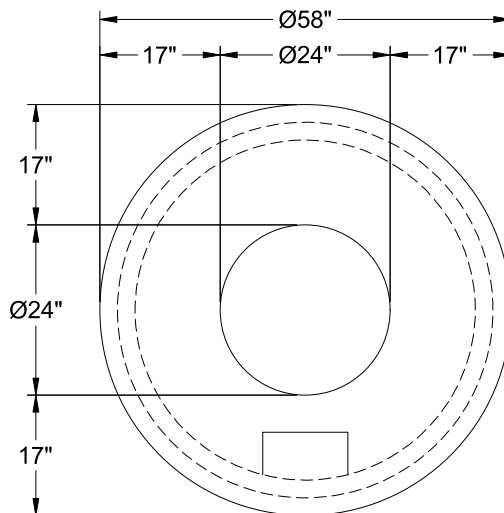
**Structure ID: 2301538**

**P7 MH048CCN24**

**CON CONE w/24" HOLE F/G**

P8) 24" - CASTING HEIGHT - 7"	0 lb
P7) 48" - CON CONE w/24" HOLE F/G - 24"	2252 lb
P6) 48" - MH RISER T/G - 72"	5030 lb
P5) 48" - MH RISER T/G - 72"	5030 lb
P4) 60" - MH Transition Slab 48" Hole T/G - 15"	2204 lb
P3) 60" - MH RISER w/DROP T/G - 60"	6235 lb
P2) 60" - MH RISER w/DROP Custom Ht T/G - 38"	3967 lb
P1) 60" - MH BASE (14"F) w/DROP Custom Ht T/n - 72"	14615 lb
1) 60" - MH INVERT CHANNEL - FULL HEIGHT	2692 lb
1) SECONDARY POUR - Add Exterior Drop to Base (P1)	3698 lb
1) SECONDARY POUR - Add Exterior Drop to Riser (P2)	1634 lb
1) SECONDARY POUR - Add Exterior Drop to Riser (P3)	2580 lb
3) 60" - Conseal CS-102 1.00" (Double)	0 lb
3) 48" - Conseal CS-102 1.00" (Double)	0 lb
2) A-Lok - 1235	2 lb
1) Drop Tee - 8" PVC	0 lb
1) Drop Elbow - 8" PVC	0 lb
28) MH Step ML-10-TDS-NCR - 10"	0 lb
Structure Total:	49939 lb

Structure Notes:  
 1. PER ASTM C-478 SPECIFICATIONS  
 2. CONCRETE: 4,000 PSI AT 28 DAYS  
 3. REINFORCEMENT: PER ASTM A615  
 4. STEPS REQUIRED  
 5. 7" CASTING SUPPLIED BY OTHERS



48" - CON CONE w/24" HOLE F/G - 24" - (P7)

Coating (Int):  
 Coating (Ext):

Seam Up: Flat  
 Seam Dn: Groove

Wall Thickness: 5"

Height (Ext): 24"

Weight (Net): 2252 lb  
 Volume (Net): 0.57cu.yd