

Job Name: 25-3118 - W6 Ph 2-C Force Main Improvements
 Job Location: Fort Mitchell, KY 41017
 Contractor: Lykins Contracting

Plant: 100

3/27/2026 11:39:36 AM

Tech: J. Horsley - A

PC: Celina Goff



Structure ID: 2301538

P4 MH060TS15-48ECC

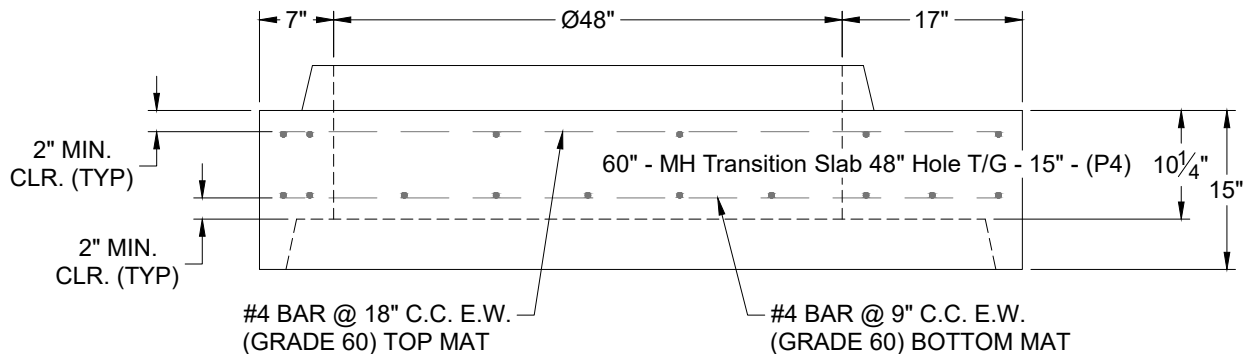
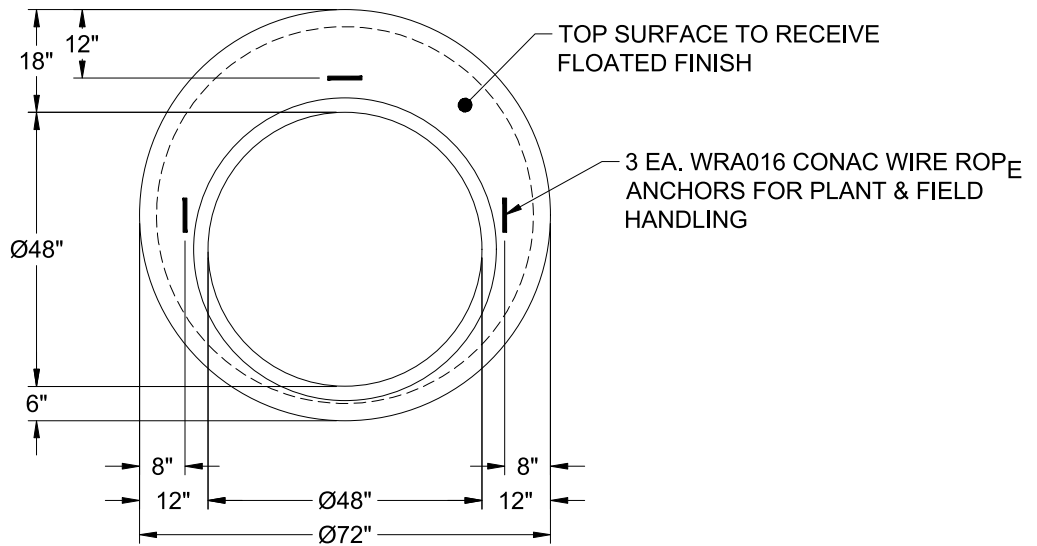
MH Transition Slab 48" Hole T/G

- P8) 24" - CASTING HEIGHT - 7"
- P7) 48" - CON CONE w/24" HOLE F/G - 24"
- P6) 48" - MH RISER T/G - 72"
- P5) 48" - MH RISER T/G - 72"
- P4) 60" - MH Transition Slab 48" Hole T/G - 15"
- P3) 60" - MH RISER w/DROP T/G - 60"
- P2) 60" - MH RISER w/DROP Custom Ht T/G - 38"
- P1) 60" - MH BASE (14"F) w/DROP Custom Ht T/n - 72"
- 1) 60" - MH INVERT CHANNEL - FULL HEIGHT
- 1) SECONDARY POUR - Add Exterior Drop to Base (P1)
- 1) SECONDARY POUR - Add Exterior Drop to Riser (P2)
- 1) SECONDARY POUR - Add Exterior Drop to Riser (P3)
- 1) CASTING - HOE MC-375-SS F/C Sanitary
- 3) 60" - Conseal CS-102 1.00" (Double)
- 3) 48" - Conseal CS-102 1.00" (Double)
- 2) A-Lok - 1235
- 1) Drop Tee - 8" PVC
- 1) Drop Elbow - 8" PVC
- 28) MH Step ML-10-TDS-NCR - 10"

- 0 lb
- 2252 lb
- 5030 lb
- 5030 lb
- 2204 lb
- 6235 lb
- 3967 lb
- 14615 lb
- 2692 lb
- 3698 lb
- 1634 lb
- 2580 lb
- 271 lb
- 0 lb
- 0 lb
- 2 lb
- 0 lb
- 0 lb
- 0 lb
- 0 lb
- Structure Total: 50210 lb

Structure Notes:

1. PER ASTM C-478 SPECIFICATIONS
2. CONCRETE: 4,000 PSI AT 28 DAYS
3. REINFORCEMENT - 2" MIN. REBAR CLEARANCE (TYP):
 - TOP MAT: #4 BAR @ 18" C.C. E.W. (GRADE 60)
 - BOTTOM MAT: #4 BAR @ 9" C.C. E.W. (GRADE 60)
4. 7" CASTING SUPPLIED BY OTHERS
5. LIFTERS: 3 EA. WRA016 CONAC WIRE ROPE ANCHORS FOR PLANT & FIELD HANDLING
6. TOP SURFACE TO RECEIVE FLOATED FINISH



Coating (Int):
Coating (Ext):

Seam Up: Tongue
Seam Dn: Groove

Wall Thickness: 6"

Height (Ext): 15"

Weight (Net): 2204 lb
Volume (Net): 0.56cu.yd