

Job Name: 25-3118 - W6 Ph 2-C Force Main Improvements
Job Location: Fort Mitchell, KY 41017
Contractor: Lykins Contracting

PC: Celina Goff
 TECH: J. Horsley - A
 Plant: 100



Structure ID: **2301537**
 Spec: Sanitary
 Type: SAN.MH Transition
 Size: 72"

Rim: 750.63'
 Invert: 731.51'
 Rim to Invert: 19.12'

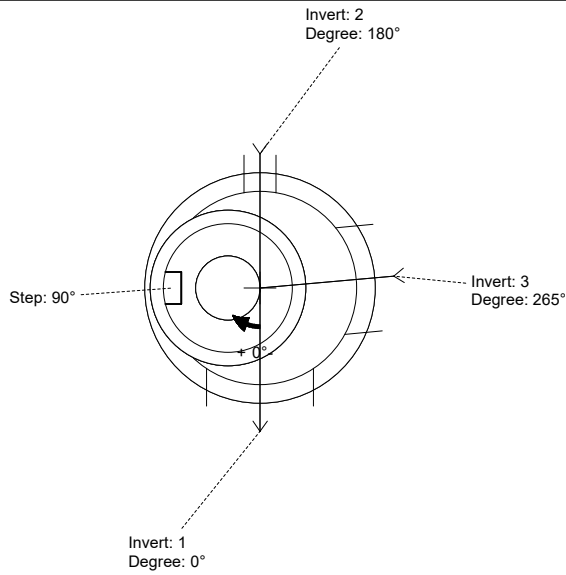
Sump: 3"
 Floor (Top): 731.26'
 Floor Height: 10"

Floor (Bot): 730.427'
 Overall Height: 20'
 Slack: 2.44"

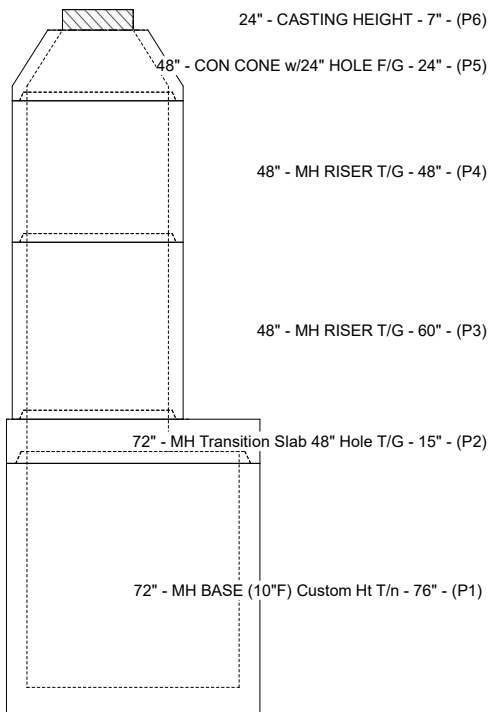
- Structure Notes:**
- PER ASTM C-478 SPECIFICATIONS
 - CONCRETE: 4,000 PSI AT 28 DAYS
 - REINFORCEMENT:
 - CONE & RISERS: PER ASTM A615
 - TRANSITION SLAB TOP MAT: #4 BAR @ 18" C.C. E.W. (GRADE 60)
 - TRANSITION SLAB BOTTOM MAT: #4 BAR @ 9" C.C. E.W. (GRADE 60)
 - BASE WALLS: PER ASTM A615 - DOUBLE MAT
 - BASE FLOOR: #5 BAR @ 12" C.C. E.W. (GRADE 60)
 - INVERT CHANNEL REQUIRED
 - STEPS AT 90 DEGREES
 - 7" CASTING SUPPLIED BY OTHERS

STRUCTURE SUMMARY:

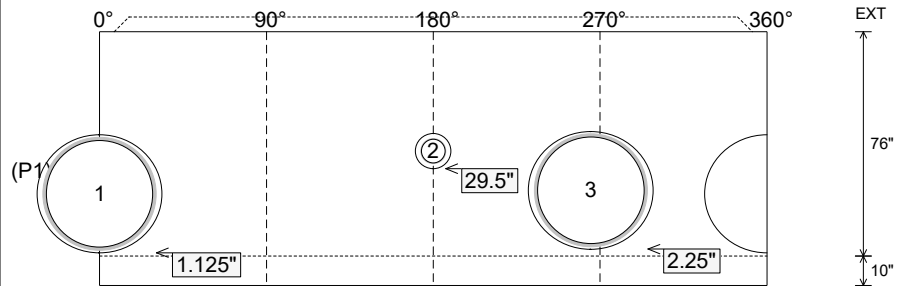
P6) 24" - CASTING HEIGHT - 7"	0 lb
P5) 48" - CON CONE w/24" HOLE F/G - 24"	2252 lb
P4) 48" - MH RISER T/G - 48"	3353 lb
P3) 48" - MH RISER T/G - 60"	4192 lb
P2) 72" - MH Transition Slab 48" Hole T/G - 15"	3864 lb
P1) 72" - MH BASE (10"F) Custom Ht T/n - 76"	14346 lb
1) 72" - MH INVERT CHANNEL - FULL HEIGHT	5422 lb
1) 72" - Conseal CS-102 1.00" (Double)	0 lb
3) 48" - Conseal CS-102 1.00" (Double)	0 lb
2) A-Lok - 1235	2 lb
1) PSX - 12-08 NYLO	8 lb
18) MH Step ML-10-TDS-NCR - 10"	0 lb
Structure Total:	33439 lb



Position	Elev	Angle	Pipe	Pipe OD	Hole	Connector	Up (")	Ref
Rim	750.63'							
Reducer	737.593'							
Invert 1	731.51'	0°	36" PVC SDR35/F679	38.3"	39.88"	A-Lok 1235	1.125"	P1
Invert 2	733.89'	180°	8" PVC SDR35	8.5"	12"	PSX 12-08 NYLO	29.5"	P1
Invert 3	731.61'	265°	36" PVC SDR35/F679	38.3"	39.88"	A-Lok 1235	2.25"	P1
Invert 4								
Invert 5								
Invert 6								
Invert 7								
Invert 8								



Cast (Int. Dim.) - Interior Dimensions



Submittal Drawing
 3/17/2026 12:34:57 PM

SUBMITTAL
 APPROVED BY: