

Job Name: 25-3118 - W6 Ph 2-C Force Main Improvements
 Job Location: Fort Mitchell, KY 41017
 Contractor: Lykins Contracting

Plant: 100

Tech: J. Horsley - A

3/20/2026 1:21:12 PM

PC: Celina Goff



Structure ID: 2301533

P1 MH072BAVF

MH BASE Custom Ht T/n

- P5) 24" - CASTING HEIGHT - 7"
- P4) 48" - CON CONE w/24" HOLE F/G - 24"
- P3) 48" - MH RISER T/G - 36"
- P2) 72" - MH Transition Slab 48" Hole T/G - 15"
- P1) 72" - MH BASE Custom Ht T/n - 74"
- 1) 72" - MH INVERT CHANNEL - FULL HEIGHT
- 1) 72" - Conseal CS-102 1.00" (Double)
- 2) 48" - Conseal CS-102 1.00" (Double)
- 2) A-Lok - 1235
- 1) PSX - 16L NYLO
- 12) MH Step ML-10-TDS-NCR - 10"

- 0 lb
- 2252 lb
- 2515 lb
- 3864 lb
- 13028 lb
- 5422 lb
- 0 lb
- 0 lb
- 2 lb
- 8 lb
- 0 lb

- Structure Notes:**
1. PER ASTM C-478 SPECIFICATIONS
 2. CONCRETE: 4,000 PSI AT 28 DAYS
 3. REINFORCEMENT:
 - WALLS: PER ASTM A615 - DOUBLE MAT
 - FLOOR: #5 BAR @ 12" C.C. E.W. (GRADE 60) - 2" MIN. REBAR CLEARANCE (TYP)
 4. INVERT CHANNEL REQUIRED
 5. STEPS AT 180 DEGREES
 6. 7" CASTING SUPPLIED BY OTHERS

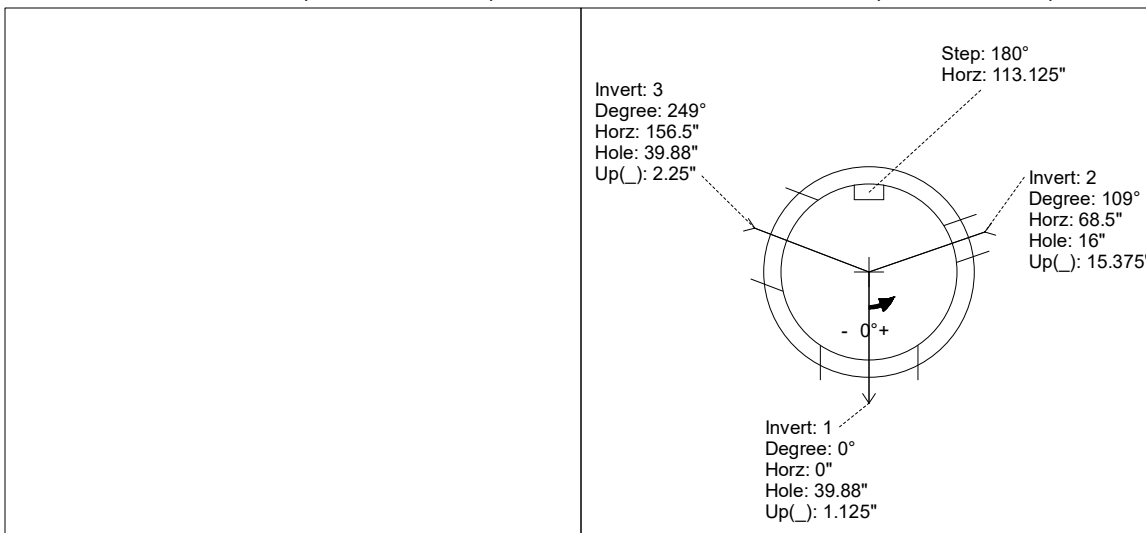
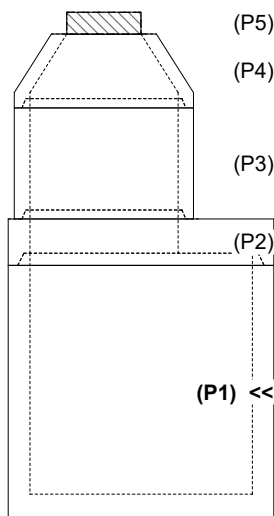
Structure Total: 27091 lb

Rim: 743.09' Rim to Invert: 12.98' Slack: 2.76" Sump: 3" Step Position: 180°

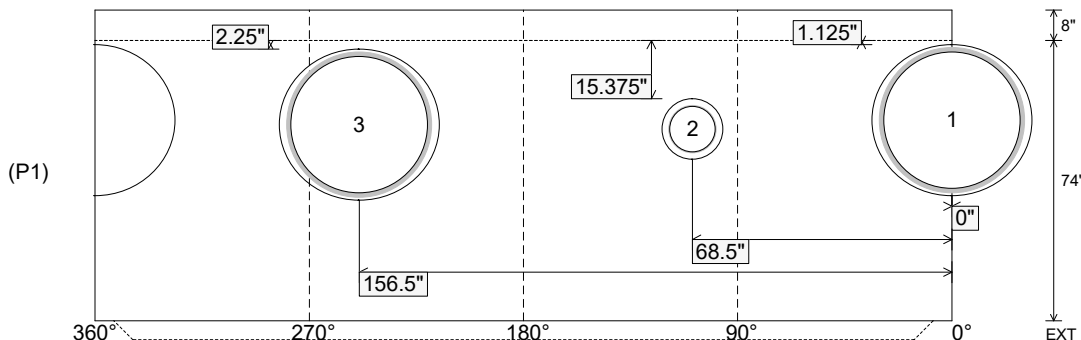
Position	Elev	Angle	Ext. (cw)	Pipe	Pipe OD	Connector	Hole	Horz Size	Up ()	Offset
Invert 1	730.11'	0°	0"	36" PVC SDR35/F679	38.3"	A-Lok 1235	39.88"	42.266"	1.125"	0"
Invert 2	731.31'	109°	81.75"	12" PVC SDR35	12.5"	PSX 16L NYLO	16"	16.135"	15.375"	0"
Invert 3	730.21'	249°	186.875"	36" PVC SDR35/F679	38.3"	A-Lok 1235	39.88"	42.266"	2.25"	0"
Invert 4										
Invert 5										
Invert 6										
Invert 7										
Invert 8										

RIGHT-SIDE UP VIEW (int. dimensions)

UPSIDE-DOWN VIEW (int. dimensions)



INSIDE WALL DIMENSIONS



Coating (Int):
Coating (Ext):

Seam Up: Tongue
Seam Dn: n/a

Wall Thickness: 7"
Floor Height: 8"

Height (Int): 74"
Height (Ext): 82"

Weight (Net): 13028 lb
Volume (Net): 3.33cu.yd

Job Name: 25-3118 - W6 Ph 2-C Force Main Improvements
 Job Location: Fort Mitchell, KY 41017
 Contractor: Lykins Contracting

Plant: 100

3/20/2026 1:21:12 PM

Tech: J. Horsley - A

PC: Celina Goff



Structure ID: 2301533

P1 MH072BAVF

MH BASE Custom Ht T/n

- P5) 24" - CASTING HEIGHT - 7"
- P4) 48" - CON CONE w/24" HOLE F/G - 24"
- P3) 48" - MH RISER T/G - 36"
- P2) 72" - MH Transition Slab 48" Hole T/G - 15"
- P1) 72" - MH BASE Custom Ht T/n - 74"
- 1) 72" - MH INVERT CHANNEL - FULL HEIGHT
- 1) 72" - Conseal CS-102 1.00" (Double)
- 2) 48" - Conseal CS-102 1.00" (Double)
- 2) A-Lok - 1235
- 1) PSX - 16L NYLO
- 12) MH Step ML-10-TDS-NCR - 10"

- 0 lb
- 2252 lb
- 2515 lb
- 3864 lb
- 13028 lb
- 5422 lb
- 0 lb
- 0 lb
- 2 lb
- 8 lb
- 0 lb

Structure Total: 27091 lb

Structure Notes:

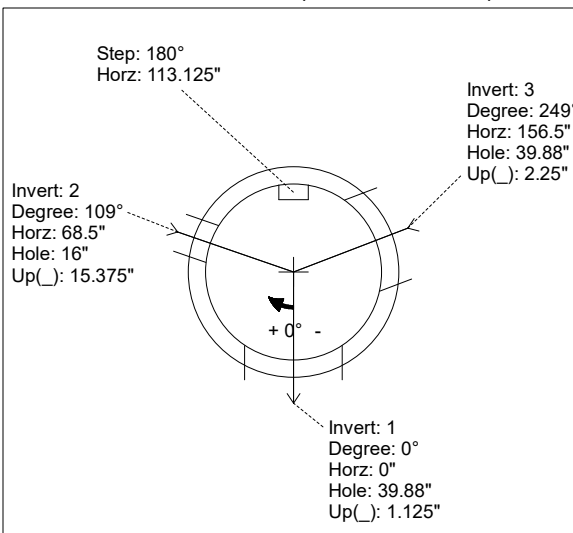
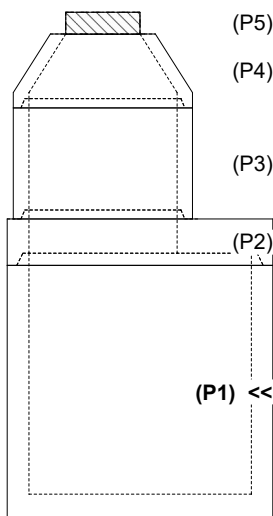
1. PER ASTM C-478 SPECIFICATIONS
2. CONCRETE: 4,000 PSI AT 28 DAYS
3. REINFORCEMENT:
 - WALLS: PER ASTM A615 - DOUBLE MAT
 - FLOOR: #5 BAR @ 12" C.C. E.W. (GRADE 60) - 2" MIN. REBAR CLEARANCE (TYP)
4. INVERT CHANNEL REQUIRED
5. STEPS AT 180 DEGREES
6. 7" CASTING SUPPLIED BY OTHERS

Rim: 743.09' Rim to Invert: 12.98' Slack: 2.76" Sump: 3" Step Position: 180°

Position	Elev	Angle	Ext. (cw)	Pipe	Pipe OD	Connector	Hole	Horz Size	Up ()	Offset
Invert 1	730.11'	0°	0"	36" PVC SDR35/F679	38.3"	A-Lok 1235	39.88"	42.266"	1.125"	0"
Invert 2	731.31'	109°	81.75"	12" PVC SDR35	12.5"	PSX 16L NYLO	16"	16.135"	15.375"	0"
Invert 3	730.21'	249°	186.875"	36" PVC SDR35/F679	38.3"	A-Lok 1235	39.88"	42.266"	2.25"	0"
Invert 4										
Invert 5										
Invert 6										
Invert 7										
Invert 8										

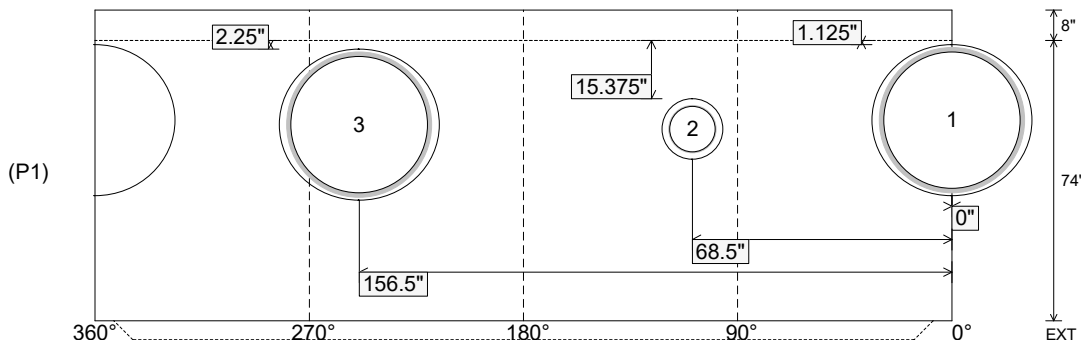
RIGHT-SIDE UP VIEW (int. dimensions)

UPSIDE-DOWN VIEW (int. dimenions)



INVERT CHANNEL DRAWING

INSIDE WALL DIMENSIONS



Coating (Int):
Coating (Ext):

Seam Up: Tongue
Seam Dn: n/a

Wall Thickness: 7"
Floor Height: 8"

Height (Int): 74"
Height (Ext): 82"

Weight (Net): 13028 lb
Volume (Net): 3.33cu.yd