

Job Name: 25-3118 - W6 Ph 2-C Force Main Improvements
 Job Location: Fort Mitchell, KY 41017
 Contractor: Lykins Contracting

Plant: 100

Tech: J. Horsley - A

3/20/2026 1:21:11 PM

PC: Celina Goff



Structure ID: 2301532

P1 MH072BA72

MH BASE T/n

- P5) 24" - CASTING HEIGHT - 7"
- P4) 48" - CON CONE w/24" HOLE F/G - 24"
- P3) 48" - MH RISER T/G - 60"
- P2) 72" - MH Transition Slab 48" Hole T/G - 15"
- P1) 72" - MH BASE T/n - 72"
- 1) 72" - MH INVERT CHANNEL - FULL HEIGHT
- 1) 72" - Conseal CS-102 1.00" (Double)
- 2) 48" - Conseal CS-102 1.00" (Double)
- 2) A-Lok - 1235
- 14) MH Step ML-10-TDS-NCR - 10"

0 lb
 2252 lb
 4192 lb
 3864 lb
 12855 lb
 5422 lb
 0 lb
 0 lb
 2 lb
 0 lb

 Structure Total: 28587 lb

Structure Notes:

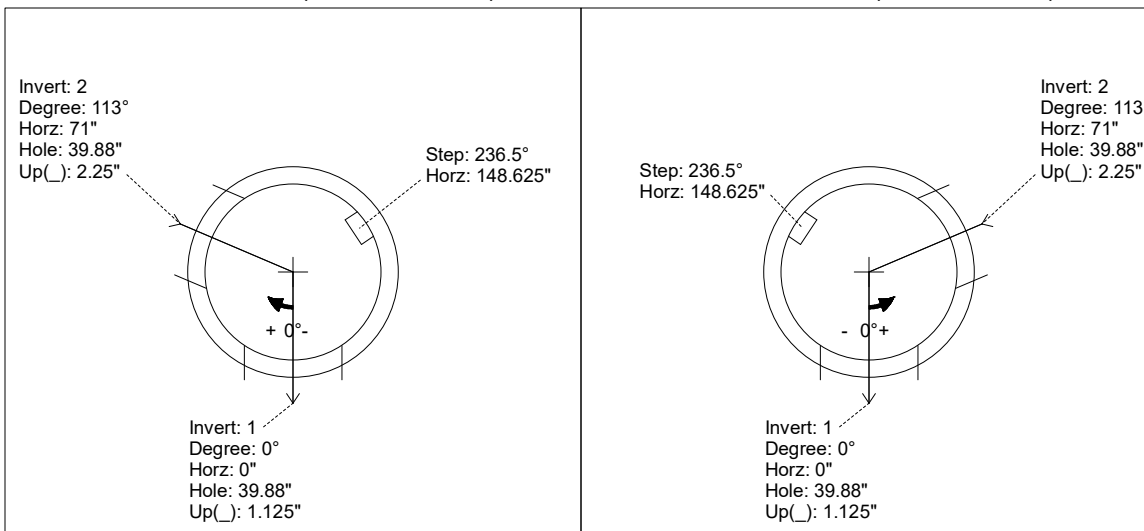
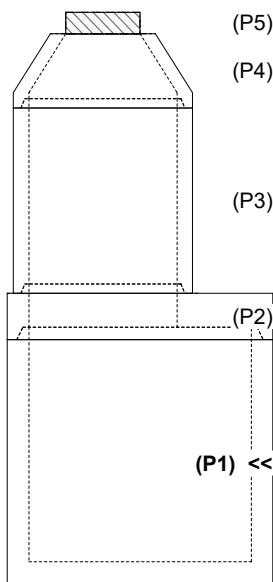
1. PER ASTM C-478 SPECIFICATIONS
2. CONCRETE: 4,000 PSI AT 28 DAYS
3. REINFORCEMENT:
 - WALLS: PER ASTM A615 - DOUBLE MAT
 - FLOOR: #5 BAR @ 12" C.C. E.W. (GRADE 60) - 2" MIN. REBAR CLEARANCE (TYP)
4. INVERT CHANNEL REQUIRED
5. STEPS AT 236.5 DEGREES
6. 7" CASTING SUPPLIED BY OTHERS

Rim: 744.62' Rim to Invert: 14.85' Slack: 3.2" Sump: 3" Step Position: 236.5°

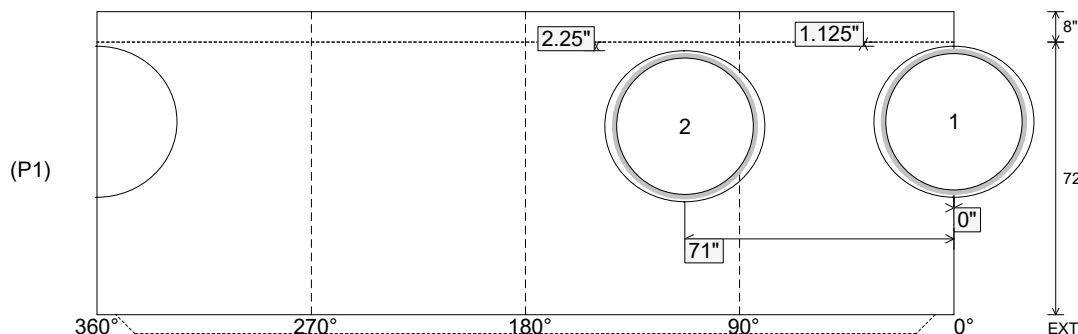
Position	Elev	Angle	Ext. (cw)	Pipe	Pipe OD	Connector	Hole	Horz Size	Up ()	Offset
Invert 1	729.77'	0°	0"	36" PVC SDR35/F679	38.3"	A-Lok 1235	39.88"	42.266"	1.125"	0"
Invert 2	729.87'	113°	84.75"	36" PVC SDR35/F679	38.3"	A-Lok 1235	39.88"	42.266"	2.25"	0"
Invert 3										
Invert 4										
Invert 5										
Invert 6										
Invert 7										
Invert 8										

RIGHT-SIDE UP VIEW (int. dimensions)

UPSIDE-DOWN VIEW (int. dimenions)



INSIDE WALL DIMENSIONS



Coating (Int):
 Coating (Ext):

Seam Up: Tongue
 Seam Dn: n/a

Wall Thickness: 7"
 Floor Height: 8"

Height (Int): 72"
 Height (Ext): 80"

Weight (Net): 12855 lb
 Volume (Net): 3.28cu.yd

Job Name: 25-3118 - W6 Ph 2-C Force Main Improvements
 Job Location: Fort Mitchell, KY 41017
 Contractor: Lykins Contracting

Plant: 100

3/20/2026 1:21:11 PM

Tech: J. Horsley - A

PC: Celina Goff



Structure ID: 2301532

P1 MH072BA72

MH BASE T/n

- P5) 24" - CASTING HEIGHT - 7"
- P4) 48" - CON CONE w/24" HOLE F/G - 24"
- P3) 48" - MH RISER T/G - 60"
- P2) 72" - MH Transition Slab 48" Hole T/G - 15"
- P1) 72" - MH BASE T/n - 72"
- 1) 72" - MH INVERT CHANNEL - FULL HEIGHT
- 1) 72" - Conseal CS-102 1.00" (Double)
- 2) 48" - Conseal CS-102 1.00" (Double)
- 2) A-Lok - 1235
- 14) MH Step ML-10-TDS-NCR - 10"

0 lb
 2252 lb
 4192 lb
 3864 lb
 12855 lb
 5422 lb
 0 lb
 0 lb
 2 lb
 0 lb

 Structure Total: 28587 lb

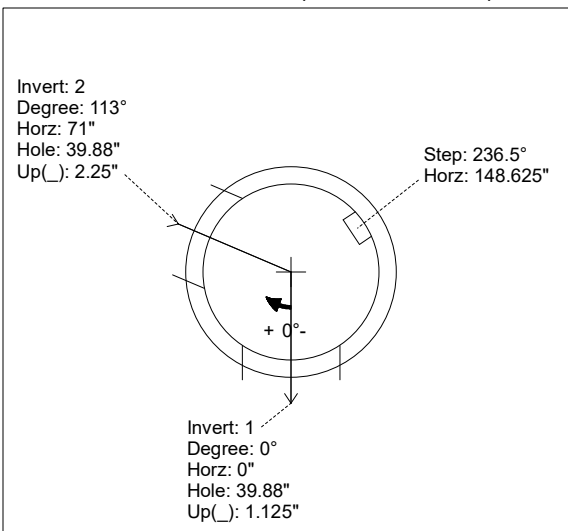
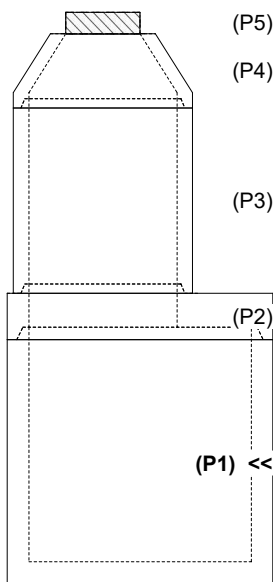
- Structure Notes:**
1. PER ASTM C-478 SPECIFICATIONS
 2. CONCRETE: 4,000 PSI AT 28 DAYS
 3. REINFORCEMENT:
 - WALLS: PER ASTM A615 - DOUBLE MAT
 - FLOOR: #5 BAR @ 12" C.C. E.W. (GRADE 60) - 2" MIN. REBAR CLEARANCE (TYP)
 4. INVERT CHANNEL REQUIRED
 5. STEPS AT 236.5 DEGREES
 6. 7" CASTING SUPPLIED BY OTHERS

Rim: 744.62' Rim to Invert: 14.85' Slack: 3.2" Sump: 3" Step Position: 236.5°

Position	Elev	Angle	Ext. (cw)	Pipe	Pipe OD	Connector	Hole	Horz Size	Up ()	Offset
Invert 1	729.77'	0°	0"	36" PVC SDR35/F679	38.3"	A-Lok 1235	39.88"	42.266"	1.125"	0"
Invert 2	729.87'	113°	84.75"	36" PVC SDR35/F679	38.3"	A-Lok 1235	39.88"	42.266"	2.25"	0"
Invert 3										
Invert 4										
Invert 5										
Invert 6										
Invert 7										
Invert 8										

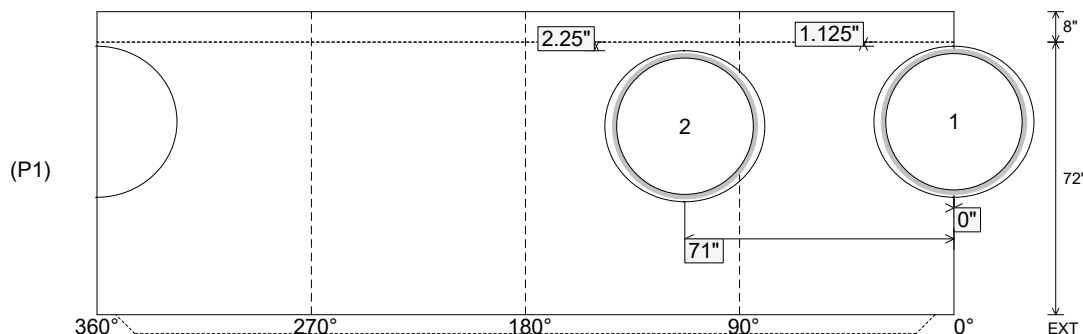
RIGHT-SIDE UP VIEW (int. dimensions)

UPSIDE-DOWN VIEW (int. dimenions)



INVERT CHANNEL DRAWING

INSIDE WALL DIMENSIONS



Coating (Int):
 Coating (Ext):

Seam Up: Tongue
 Seam Dn: n/a

Wall Thickness: 7"
 Floor Height: 8"

Height (Int): 72"
 Height (Ext): 80"

Weight (Net): 12855 lb
 Volume (Net): 3.28cu.yd