

Job Name: 25-3118 - W6 Ph 2-C Force Main Improvements
Job Location: Fort Mitchell, KY 41017
Contractor: Lykins Contracting

PC: Celina Goff
 TECH: J. Horsley - A
 Plant: 100



Structure ID: **2301527**
 Spec: Sanitary
 Type: SAN.MH Transition
 Size: 72"

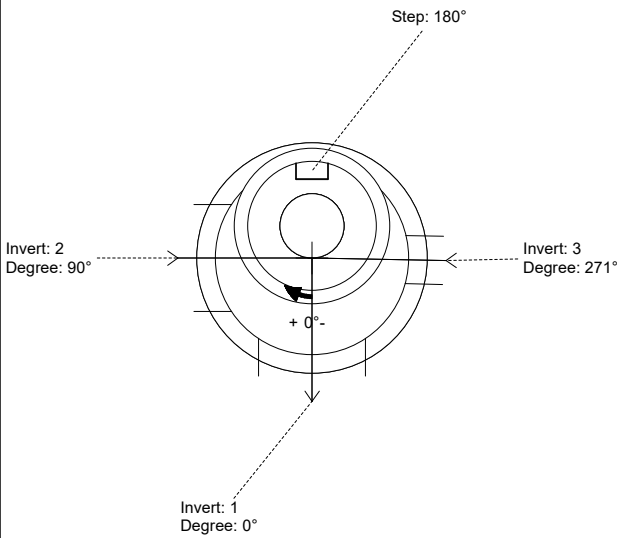
Rim: 739.69'
 Invert: 728.29'
 Rim to Invert: 11.4'

Sump: 3"
 Floor (Top): 728.04'
 Floor Height: 8"

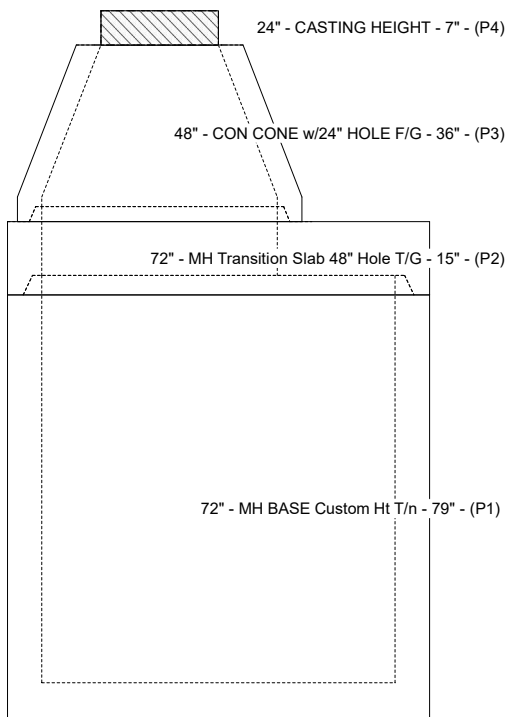
Floor (Bot): 727.373'
 Overall Height: 12.083'
 Slack: 2.8"

- Structure Notes:**
- PER ASTM C-478 SPECIFICATIONS
 - CONCRETE: 4,000 PSI AT 28 DAYS
 - REINFORCEMENT:
 - CONE: PER ASTM A615
 - TRANSITION SLAB TOP MAT: #4 BAR @ 18" C.C. E.W. (GRADE 60)
 - TRANSITION SLAB BOTTOM MAT: #4 BAR @ 9" C.C. E.W. (GRADE 60)
 - BASE WALLS: PER ASTM A615 - DOUBLE MAT
 - BASE FLOOR: #5 BAR @ 12" C.C. E.W. (GRADE 60)
 - INVERT CHANNEL REQUIRED
 - STEPS AT 180 DEGREES
 - 7" CASTING SUPPLIED BY OTHERS

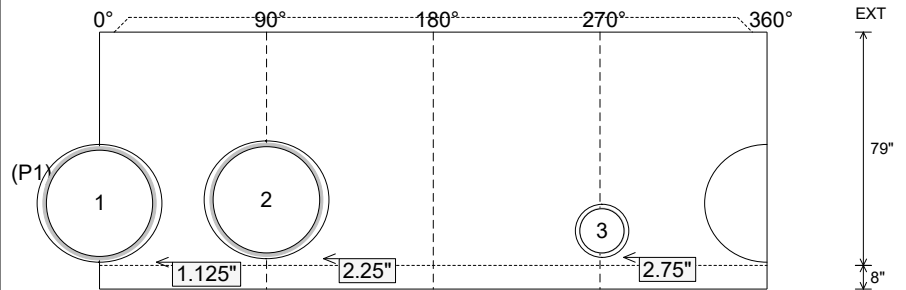
- STRUCTURE SUMMARY:**
- P4) 24" - CASTING HEIGHT - 7" 0 lb
 - P3) 48" - CON CONE w/24" HOLE F/G - 36" 2252 lb
 - P2) 72" - MH Transition Slab 48" Hole T/G - 15" 3864 lb
 - P1) 72" - MH BASE Custom Ht T/n - 79" 13725 lb
 - 1) 72" - MH INVERT CHANNEL - FULL HEIGHT 5422 lb
 - 1) 72" - Conseal CS-102 1.00" (Double) 0 lb
 - 1) 48" - Conseal CS-102 1.00" (Double) 0 lb
 - 2) A-Lok - 1235 2 lb
 - 1) Kor-N-Seal2 - S206-18L 6 lb
 - 10) MH Step ML-10-TDS-NCR - 10" 0 lb
- Structure Total: 25271 lb



Position	Elev	Angle	Pipe	Pipe OD	Hole	Connector	Up (')	Ref
Rim	739.69'							
Reducer	734.623'							
Invert 1	728.29'	0°	36" PVC SDR35/F679	38.3"	39.88"	A-Lok 1235	1.125"	P1
Invert 2	728.39'	90°	36" PVC SDR35/F679	38.3"	39.88"	A-Lok 1235	2.25"	P1
Invert 3	728.39'	271°	15" PVC SDR35	15.3"	18"	Kor-N-Seal2 S206-18L	2.75"	P1
Invert 4								
Invert 5								
Invert 6								
Invert 7								
Invert 8								



Cast (Int. Dim.) - Interior Dimensions



Submittal Drawing
 3/17/2026 12:34:43 PM

SUBMITTAL
 APPROVED BY: