

**Job Name: 25-3118 - W6 Ph 2-C Force Main Improvements**  
**Job Location: Fort Mitchell, KY 41017**  
**Contractor: Lykins Contracting**

PC: Celina Goff  
 TECH: J. Horsley - A  
 Plant: 100



Structure ID: **2301096**  
 Spec: Sanitary  
 Type: SAN.MH w/Ext. Drop  
 Size: 60"

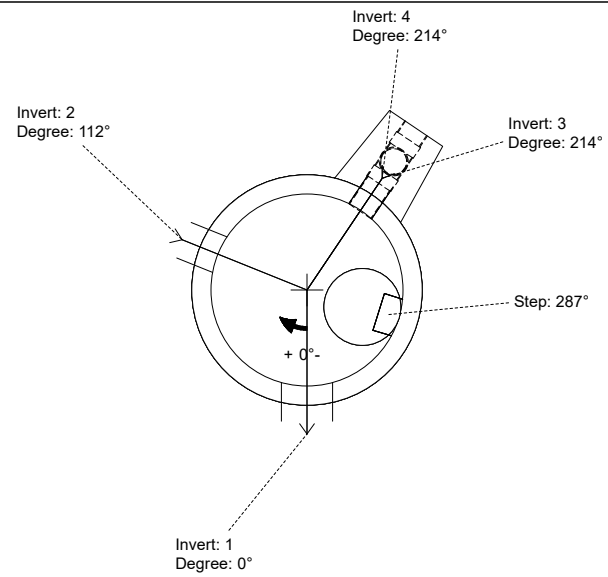
Rim: 748.88'  
 Invert: 731.38'  
 Rim to Invert: 17.5'

Sump: 2"  
 Floor (Top): 731.213'  
 Floor Height: 10"

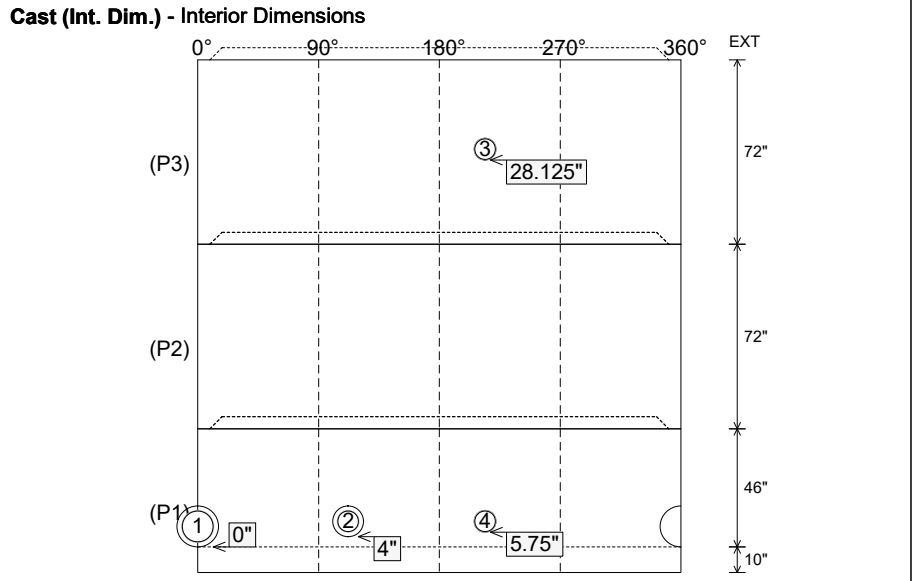
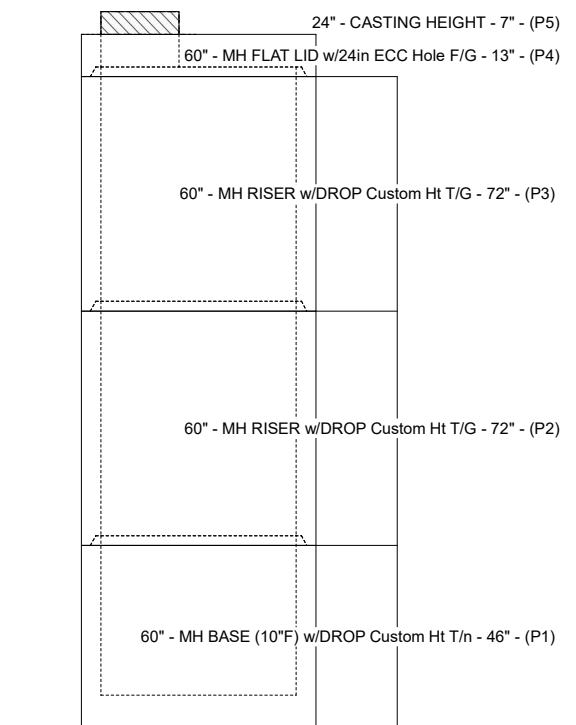
Floor (Bot): 730.38'  
 Overall Height: 18.333'  
 Slack: 2"

- Structure Notes:**
- PER ASTM C-478 SPECIFICATIONS
  - CONCRETE: 4,000 PSI AT 28 DAYS
  - REINFORCEMENT:
    - FLAT LID: #5 BAR @ 6" C.C. E.W. (GRADE 60)
    - RISERS: PER ASTM A615
    - BASE WALLS: PER ASTM A615 - DOUBLE MAT
    - BASE FLOOR: #5 BAR @ 12" C.C. E.W. (GRADE 60)
  - INVERT CHANNEL REQUIRED
  - STEPS AT 287 DEGREES
  - 7" CASTING SUPPLIED BY OTHERS
  - EXTERIOR DROP AT INVERTS 3 & 4 SUPPLIED BY ICAST

- STRUCTURE SUMMARY:**
- P5) 24" - CASTING HEIGHT - 7" 0 lb
  - P4) 60" - MH FLAT LID w/24in ECC Hole F/G - 13" 2800 lb
  - P3) 60" - MH RISER w/DROP Custom Ht T/G - 72" 7488 lb
  - P2) 60" - MH RISER w/DROP Custom Ht T/G - 72" 7516 lb
  - P1) 60" - MH BASE (10"F) w/DROP Custom Ht T/n - 46" 10437 lb
  - 1) 60" - MH INVERT CHANNEL - FULL HEIGHT 2692 lb
  - 1) SECONDARY POUR - Add Exterior Drop to Base (P1) 2408 lb
  - 1) SECONDARY POUR - Add Exterior Drop to Riser (P2) 3096 lb
  - 1) SECONDARY POUR - Add Exterior Drop to Riser (P3) 3096 lb
  - 3) 60" - Conseal CS-102 1.00" (Double) 0 lb
  - 1) PSX - 16L NYLO 8 lb
  - 1) PSX - 12-08 NYLO 8 lb
  - 1) Drop Tee - 8" PVC 0 lb
  - 1) Drop Elbow - 8" PVC 0 lb
  - 16) MH Step ML-10-TDS-NCR - 10" 0 lb
- Structure Total: 39549 lb



Position	Elev	Angle	Pipe	Pipe OD	Hole	Connector	Up (L)	Ref
Rim	748.88'							
Reducer								
Invert 1	731.38'	0°	12" PVC SDR35	12.5"	16"	PSX 16L NYLO	0"	P1
Invert 2	731.71'	112°	8" PVC SDR35	8.5"	12"	PSX 12-08 NYLO	4"	P1
Invert 3	743.81'	214°	8" PVC SDR35	8.5"	8.5"	Drop Tee 8" PVC	28.125"	P3
Invert 4	731.71'	214°	8" PVC SDR35	8.5"	8.5"	Drop Elbow 8" PVC	5.75"	P1
Invert 5								
Invert 6								
Invert 7								
Invert 8								



Submittal Drawing  
 3/17/2026 12:36:33 PM

SUBMITTAL  
 APPROVED BY: