

Job Name: 25-3118 - W6 Ph 2-C Force Main Improvements  
 Job Location: Fort Mitchell, KY 41017  
 Contractor: Lykins Contracting

Plant: 100

Tech: J. Horsley - A

3/26/2026 2:15:57 PM

PC: Celina Goff



**Structure ID: 2301096**

**P3 MH060RSVF-D**

**MH RISER w/DROP Custom Ht T/G**

- P5) 24" - CASTING HEIGHT - 7"
- P4) 60" - MH FLAT LID w/24in ECC Hole F/G - 13"
- P3) 60" - MH RISER w/DROP Custom Ht T/G - 72"
- P2) 60" - MH RISER w/DROP Custom Ht T/G - 72"
- P1) 60" - MH BASE (10"F) w/DROP Custom Ht T/n - 46"
- 1) 60" - MH INVERT CHANNEL - FULL HEIGHT
- 1) SECONDARY POUR - Add Exterior Drop to Base (P1)
- 1) SECONDARY POUR - Add Exterior Drop to Riser (P2)
- 1) SECONDARY POUR - Add Exterior Drop to Riser (P3)
- 3) 60" - Conseal CS-102 1.00" (Double)
- 1) PSX - 16L NYLO
- 1) PSX - 12-08 NYLO
- 1) Drop Tee - 8" PVC
- 1) Drop Elbow - 8" PVC
- 16) MH Step ML-10-TDS-NCR - 10"

- 0 lb
- 2800 lb
- 7488 lb
- 7516 lb
- 10437 lb
- 2692 lb
- 2408 lb
- 3096 lb
- 3096 lb
- 0 lb
- 8 lb
- 8 lb
- 0 lb
- 0 lb
- 0 lb
- 
- 39549 lb

**Structure Notes:**  
 1. PER ASTM C-478 SPECIFICATIONS  
 2. CONCRETE: 4,000 PSI AT 28 DAYS  
 3. REINFORCEMENT: PER ASTM A615  
 4. STEPS AT 287 DEGREES  
 5. 7" CASTING SUPPLIED BY OTHERS  
 6. EXTERIOR DROP AT INVERTS 3 & 4 SUPPLIED BY ICAST

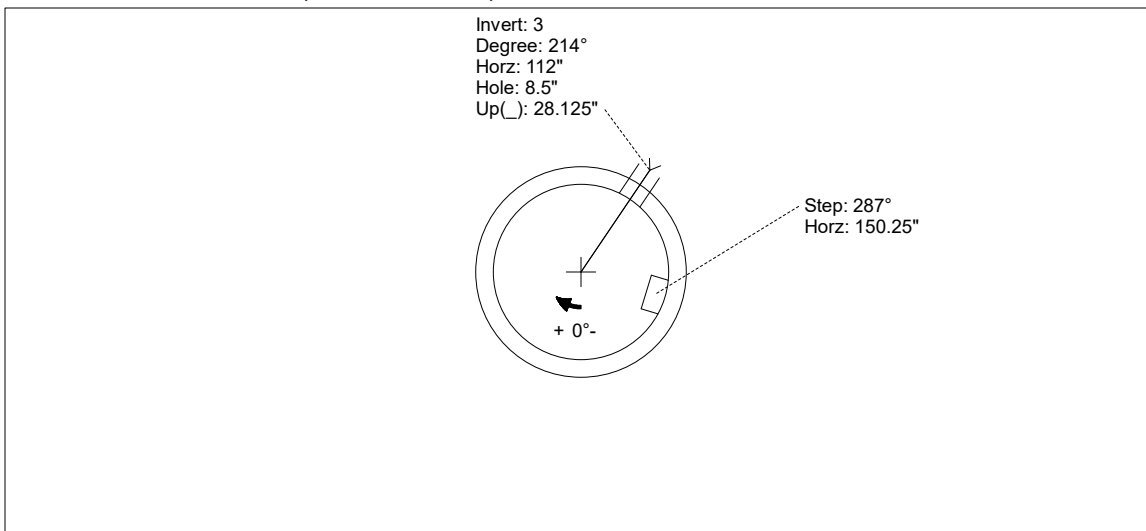
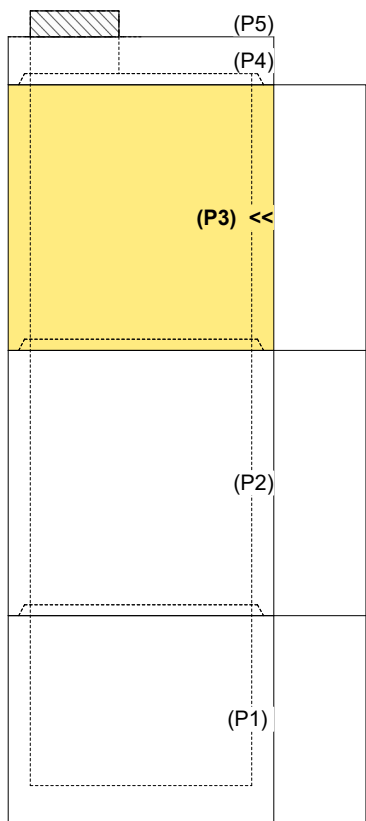
Structure Total: 39549 lb

**FIRST POUR (RISER): 7,488 LBS**  
**SECOND POUR (DROP): 3,096 LBS**

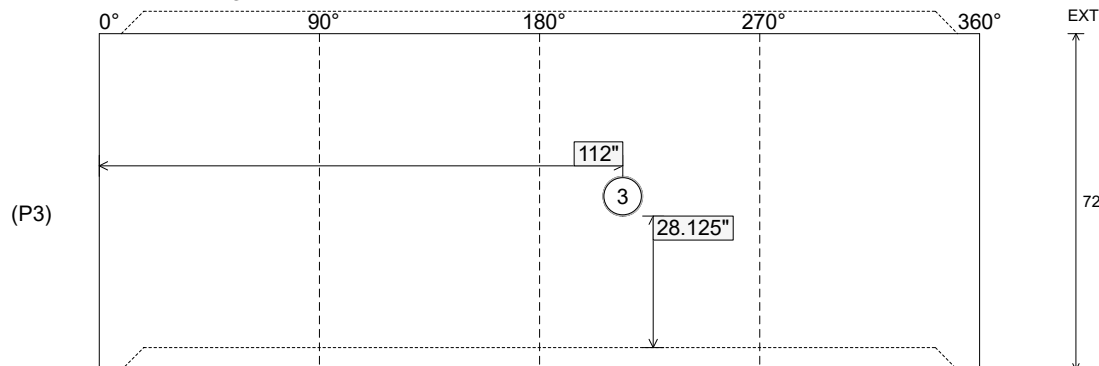
Rim: 748.88' Rim to Invert: 17.5' Slack: 2" Sump: 2" Step Position: 287°

Position	Elev	Angle	Ext. (cw)	Pipe	Pipe OD	Connector	Hole	Horz Size	Up ( )	Offset
Invert 1										
Invert 2										
Invert 3	743.81'	214°	134.5"	8" PVC SDR35	8.5"	Drop Tee 8" PVC	8.5"	8.529"	28.125"	0"
Invert 4										
Invert 5										
Invert 6										
Invert 7										
Invert 8										

**RIGHT-SIDE UP VIEW (int. dimensions)**



**INSIDE WALL DIMENSIONS**



Coating (Int):  
 Coating (Ext):

Seam Up: Tongue  
 Seam Dn: Groove

Wall Thickness: 6"  
 Floor Height: 0"

Height (Int): 72"  
 Height (Ext): 72"

Weight (Net): 7488 lb  
 Volume (Net): 1.91cu.yd

Job Name: 25-3118 - W6 Ph 2-C Force Main Improvements  
 Job Location: Fort Mitchell, KY 41017  
 Contractor: Lykins Contracting

Plant: 100

Tech: J. Horsley - A

3/26/2026 2:15:57 PM

PC: Celina Goff



**Structure ID: 2301096**

**P3 MH060RSVF-D**

**MH RISER w/DROP Custom Ht T/G**

- P5) 24" - CASTING HEIGHT - 7"
- P4) 60" - MH FLAT LID w/24in ECC Hole F/G - 13"
- P3) 60" - MH RISER w/DROP Custom Ht T/G - 72"
- P2) 60" - MH RISER w/DROP Custom Ht T/G - 72"
- P1) 60" - MH BASE (10"F) w/DROP Custom Ht T/n - 46"
- 1) 60" - MH INVERT CHANNEL - FULL HEIGHT
- 1) SECONDARY POUR - Add Exterior Drop to Base (P1)
- 1) SECONDARY POUR - Add Exterior Drop to Riser (P2)
- 1) SECONDARY POUR - Add Exterior Drop to Riser (P3)
- 3) 60" - Conseal CS-102 1.00" (Double)
- 1) PSX - 16L NYLO
- 1) PSX - 12-08 NYLO
- 1) Drop Tee - 8" PVC
- 1) Drop Elbow - 8" PVC
- 16) MH Step ML-10-TDS-NCR - 10"

- 0 lb
- 2800 lb
- 7488 lb
- 7516 lb
- 10437 lb
- 2692 lb
- 2408 lb
- 3096 lb
- 3096 lb
- 0 lb
- 8 lb
- 8 lb
- 0 lb
- 0 lb
- 0 lb
- 0 lb
- 
- 0 lb

Structure Total: 39549 lb

Structure Notes:

1. PER ASTM C-478 SPECIFICATIONS
2. CONCRETE: 4,000 PSI AT 28 DAYS
3. EXTERIOR DROP REINFORCEMENT: DRILL & STUB #4 BAR @ 12" C.C. E.W. (GRADE 60) - 2" MIN. REBAR CLEARANCE (TYP)
4. STEPS AT 287 DEGREES
5. 7" CASTING SUPPLIED BY OTHERS
6. EXTERIOR DROP AT INVERTS 3 & 4 SUPPLIED BY ICAST
7. ADD 8" SDR 35 DROP & TEE AT INVERT 3 (214°)

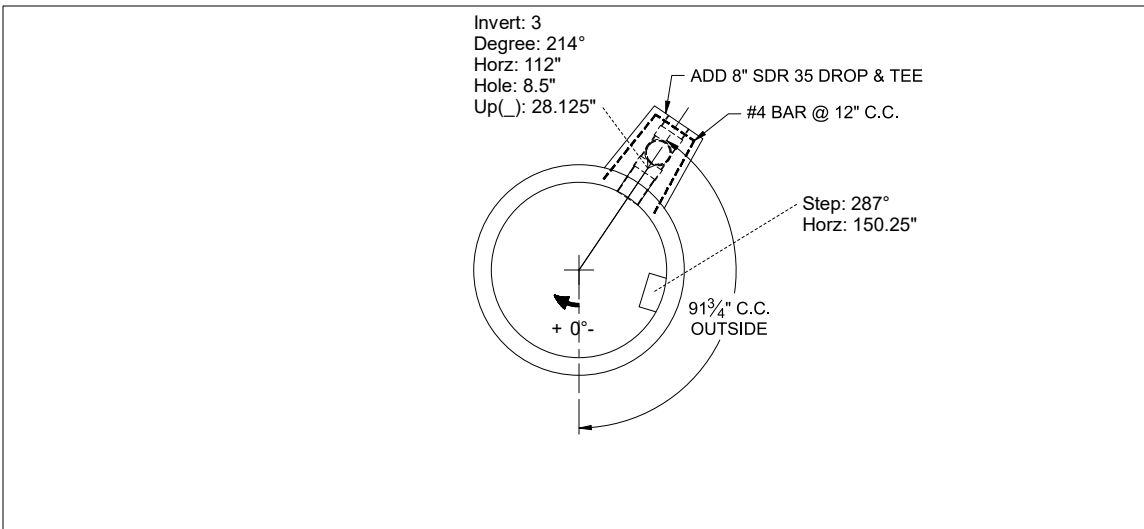
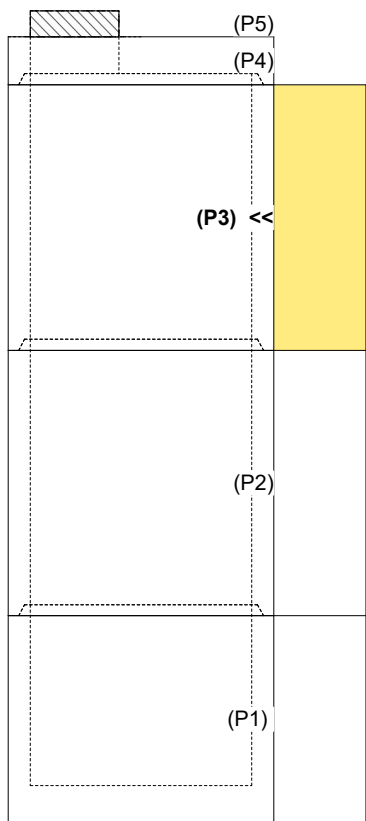
**FIRST POUR (RISER): 7,488 LBS**

**SECOND POUR (DROP): 3,096 LBS**

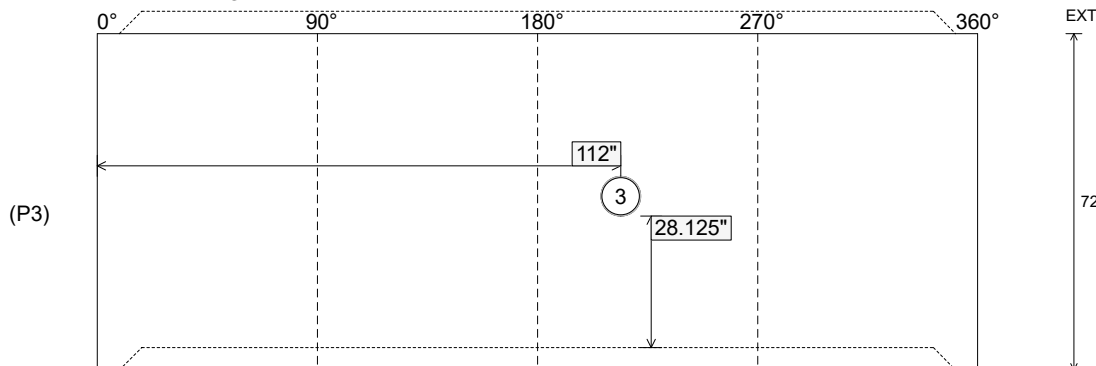
Rim: 748.88' Rim to Invert: 17.5' Slack: 2" Sump: 2" Step Position: 287°

Position	Elev	Angle	Ext. (cw)	Pipe	Pipe OD	Connector	Hole	Horz Size	Up ( )	Offset
Invert 1										
Invert 2										
Invert 3	743.81'	214°	134.5"	8" PVC SDR35	8.5"	Drop Tee 8" PVC	8.5"	8.529"	28.125"	0"
Invert 4										
Invert 5										
Invert 6										
Invert 7										
Invert 8										

**RIGHT-SIDE UP VIEW (int. dimensions)**



**INSIDE WALL DIMENSIONS**



Coating (Int):  
Coating (Ext):

Seam Up: Tongue  
Seam Dn: Groove

Wall Thickness: 6"  
Floor Height: 0"

Height (Int): 72"  
Height (Ext): 72"

Weight (Net): 7488 lb  
Volume (Net): 1.91cu.yd