

Job Name: 25-3118 - W6 Ph 2-C Force Main Improvements
Job Location: Fort Mitchell, KY 41017
Contractor: Lykins Contracting

PC: Celina Goff
 TECH: J. Horsley - A
 Plant: 100



Structure ID: **2300095**
 Spec: Sanitary
 Type: SAN.MH
 Size: 48"

Rim: 746.1'
 Invert: 737.11'
 Rim to Invert: 8.99'

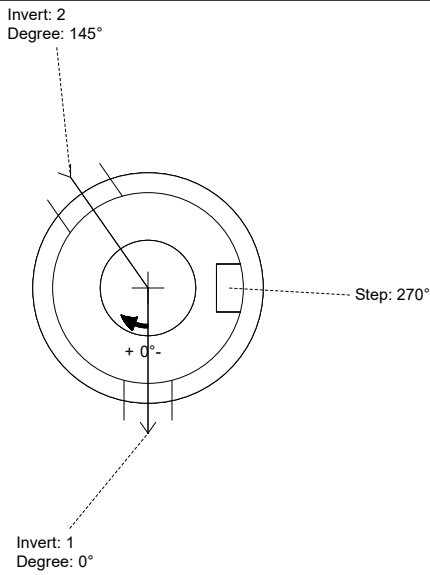
Sump: 2"
 Floor (Top): 736.943'
 Floor Height: 8"

Floor (Bot): 736.277'
 Overall Height: 9.75'
 Slack: 0.88"

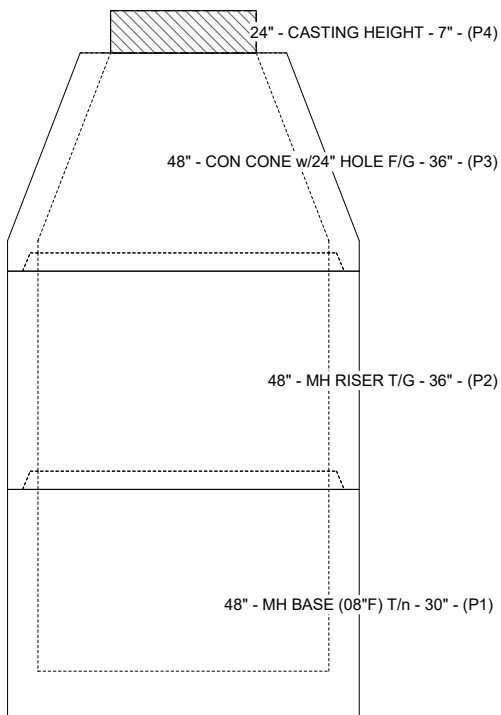
- Structure Notes:**
- PER ASTM C-478 SPECIFICATIONS
 - CONCRETE: 4,000 PSI AT 28 DAYS
 - REINFORCEMENT:
 - CONE & RISER: PER ASTM A615
 - BASE WALLS: PER ASTM A615 - DOUBLE MAT
 - BASE FLOOR: #5 BAR @ 12" C.C. E.W. (GRADE 60)
 - INVERT CHANNEL REQUIRED
 - STEPS AT 270 DEGREES
 - 7" CASTING SUPPLIED BY OTHERS

STRUCTURE SUMMARY:

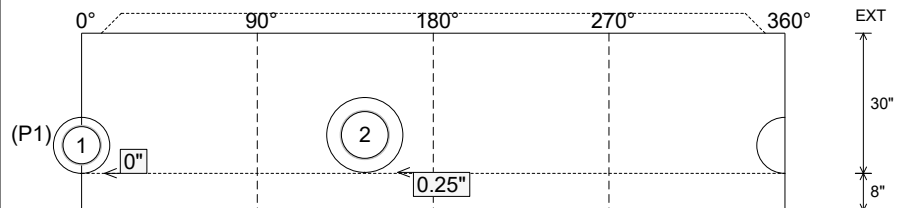
| | |
|--|----------------|
| P4) 24" - CASTING HEIGHT - 7" | 0 lb |
| P3) 48" - CON CONE w/24" HOLE F/G - 36" | 2252 lb |
| P2) 48" - MH RISER T/G - 36" | 2515 lb |
| P1) 48" - MH BASE (08°F) T/n - 30" | 3736 lb |
| 1) 48" - MH INVERT CHANNEL - FULL HEIGHT | 1440 lb |
| 2) 48" - Conseal CS-102 1.00" (Double) | 0 lb |
| 1) PSX - 12-08 NYLO | 8 lb |
| 1) PSX - 16Y NYLO | 8 lb |
| 8) MH Step ML-10-TDS-NCR - 10" | 0 lb |
| Structure Total: | 9959 lb |



| Position | Elev | Angle | Pipe | Pipe OD | Hole | Connector | Up (L) | Ref |
|----------|---------|-------|---------------|---------|------|----------------|--------|-----|
| Rim | 746.1' | | | | | | | |
| Reducer | | | | | | | | |
| Invert 1 | 737.11' | 0° | 8" PVC SDR35 | 8.5" | 12" | PSX 12-08 NYLO | 0" | P1 |
| Invert 2 | 737.21' | 145° | 10" PVC SDR35 | 10.5" | 16" | PSX 16Y NYLO | 0.25" | P1 |
| Invert 3 | | | | | | | | |
| Invert 4 | | | | | | | | |
| Invert 5 | | | | | | | | |
| Invert 6 | | | | | | | | |
| Invert 7 | | | | | | | | |
| Invert 8 | | | | | | | | |



Cast (Int. Dim.) - Interior Dimensions



Submittal Drawing
 3/17/2026 12:36:35 PM

SUBMITTAL
 APPROVED BY: