

Structure ID: 2280824

P1 MH048BAVF

MH BASE (08"F) T/n

- P3) 24" - CASTING HEIGHT - 7"
- P2) 48" - CON CONE w/24" HOLE F/G - 36"
- P1) 48" - MH BASE (08"F) T/n - 50"
- 1) 48" - MH INVERT CHANNEL - FULL HEIGHT
- 1) 48" - Conseal CS-102 1.00" (Double)
- 1) Kor-N-Seal2 - S206-28
- 1) Kor-N-Seal2 - S206-22
- 5) MH Step ML-10-TDS-NCR - 10"

0 lb	
2252 lb	
4829 lb	
1440 lb	
0 lb	
6 lb	
6 lb	
0 lb	

Structure Total:	8535 lb

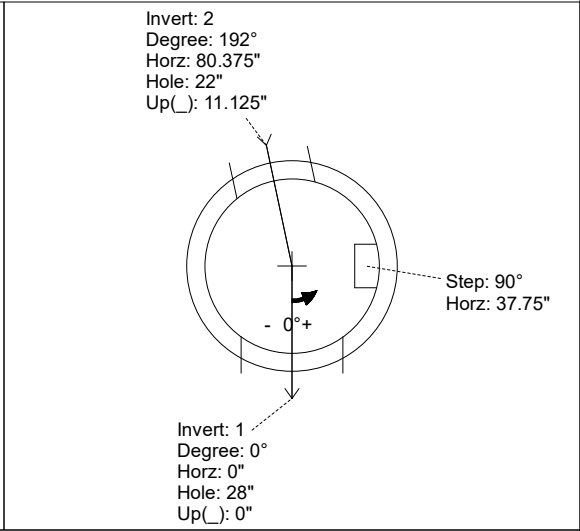
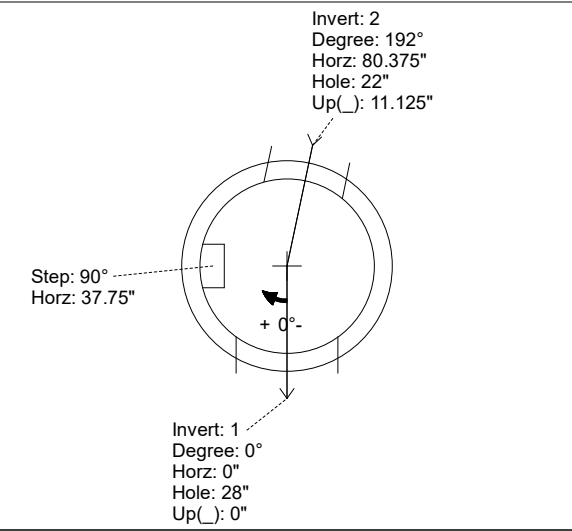
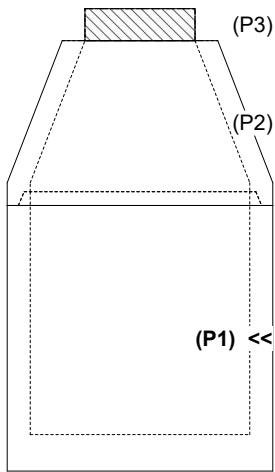
- Structure Notes:
1. PER ASTM C-478 SPECIFICATIONS
 2. CONCRETE: 4,000 PSI AT 28 DAYS
 3. REINFORCEMENT:
 - WALLS: PER ASTM A615 - DOUBLE MAT
 - FLOOR: #5 BAR @ 12" C.C. E.W. (GRADE 60) - 2" MIN. REBAR CLEARANCE (TYP)
 4. INVERT CHANNEL REQUIRED
 5. STEPS AT 90 DEGREES
 6. 7" CASTING SUPPLIED BY OTHERS

Rim: 772.69' Rim to Invert: 7.73' Slack: 2.069' Sump: 2.309' Step Position: 90°

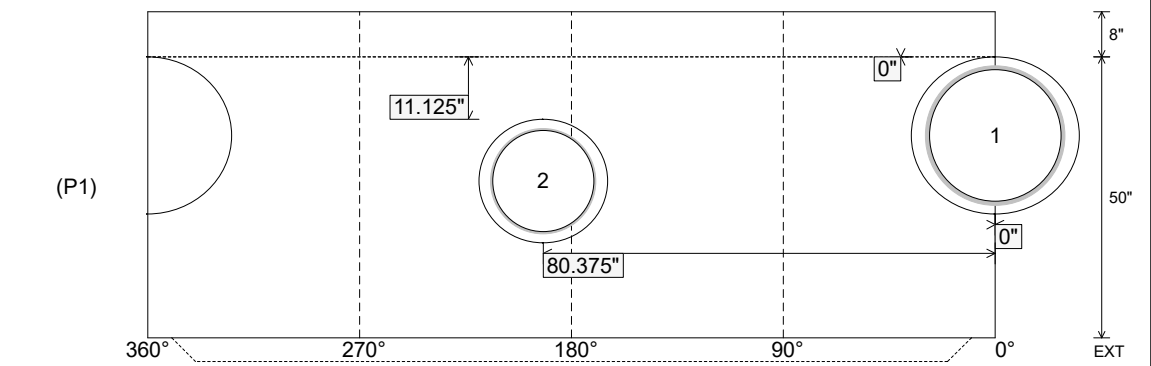
Position	Elev	Angle	Ext. (cw)	Pipe	Pipe OD	Connector	Hole	Horz Size	Up ()	Offset
Invert 1	764.96'	0°	0"	24" PVC SDR35/F679	24.803"	Kor-N-Seal2 S206-28	28"	29.896"	0"	0"
Invert 2	765.86'	192°	97.125"	18" PVC SDR35	18.75"	Kor-N-Seal2 S206-22	22"	22.854"	11.125"	0"
Invert 3										
Invert 4										
Invert 5										
Invert 6										
Invert 7										
Invert 8										

RIGHT-SIDE UP VIEW (int. dimensions)

UPSIDE-DOWN VIEW (int. dimensions)



INSIDE WALL DIMENSIONS



Coating (Int): Coating (Ext):	Seam Up: Tongue Seam Dn: n/a	Wall Thickness: 5" Floor Height: 8"	Height (Int): 50" Height (Ext): 58"	Weight (Net): 4829 lb Volume (Net): 1.23cu.yd
----------------------------------	---------------------------------	--	--	--

Structure ID: 2280824

P1 MH048BAVF

MH BASE (08"F) T/n

- P3) 24" - CASTING HEIGHT - 7"
- P2) 48" - CON CONE w/24" HOLE F/G - 36"
- P1) 48" - MH BASE (08"F) T/n - 50"
- 1) 48" - MH INVERT CHANNEL - FULL HEIGHT
- 1) 48" - Conseal CS-102 1.00" (Double)
- 1) Kor-N-Seal2 - S206-28
- 1) Kor-N-Seal2 - S206-22
- 5) MH Step ML-10-TDS-NCR - 10"

0 lb	Structure Total:	8535 lb
2252 lb		
4829 lb		
1440 lb		
0 lb		
6 lb		
6 lb		
0 lb		

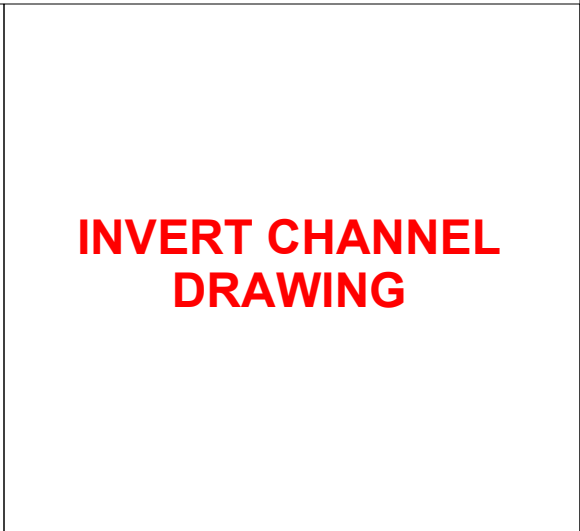
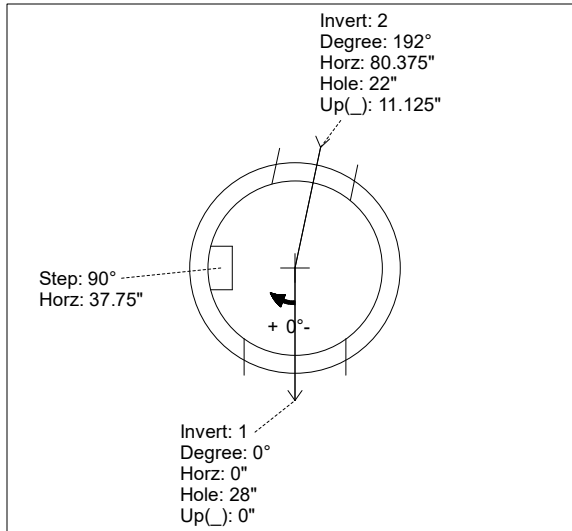
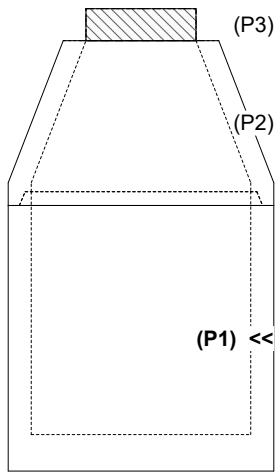
- Structure Notes:
1. PER ASTM C-478 SPECIFICATIONS
 2. CONCRETE: 4,000 PSI AT 28 DAYS
 3. REINFORCEMENT:
 - WALLS: PER ASTM A615 - DOUBLE MAT
 - FLOOR: #5 BAR @ 12" C.C. E.W. (GRADE 60) - 2" MIN. REBAR CLEARANCE (TYP)
 4. INVERT CHANNEL REQUIRED
 5. STEPS AT 90 DEGREES
 6. 7" CASTING SUPPLIED BY OTHERS

Rim: 772.69' Rim to Invert: 7.73' Slack: 2.069' Sump: 2.309' Step Position: 90°

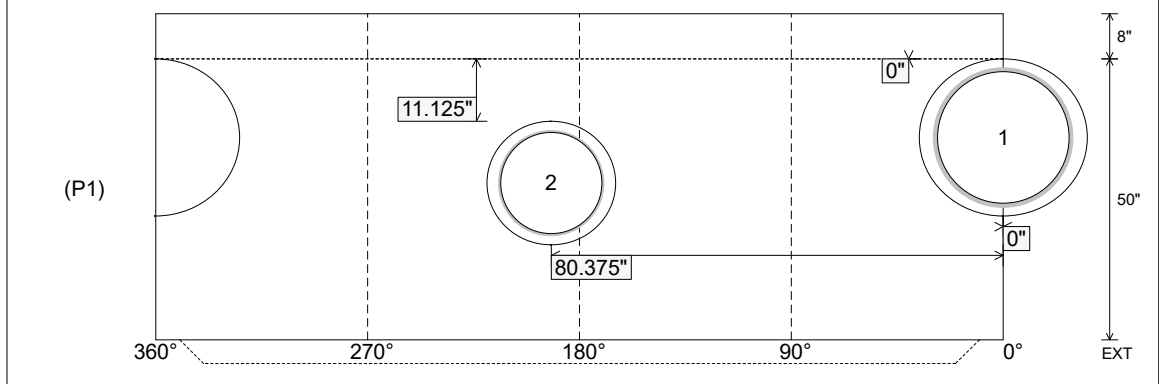
Position	Elev	Angle	Ext. (cw)	Pipe	Pipe OD	Connector	Hole	Horz Size	Up ()	Offset
Invert 1	764.96'	0°	0"	24" PVC SDR35/F679	24.803"	Kor-N-Seal2 S206-28	28"	29.896"	0"	0"
Invert 2	765.86'	192°	97.125"	18" PVC SDR35	18.75"	Kor-N-Seal2 S206-22	22"	22.854"	11.125"	0"
Invert 3										
Invert 4										
Invert 5										
Invert 6										
Invert 7										
Invert 8										

RIGHT-SIDE UP VIEW (int. dimensions)

UPSIDE-DOWN VIEW (int. dimenions)



INSIDE WALL DIMENSIONS



Coating (Int): Coating (Ext):	Seam Up: Tongue Seam Dn: n/a	Wall Thickness: 5" Floor Height: 8"	Height (Int): 50" Height (Ext): 58"	Weight (Net): 4829 lb Volume (Net): 1.23cu.yd
----------------------------------	---------------------------------	--	--	--