

Job Name: 25-3118 - W6 Ph 2-C Force Main Improvements  
 Job Location: Fort Mitchell, KY 41017  
 Contractor: Lykins Contracting

Plant: 100

3/27/2026 11:41:24 AM

Tech: J. Horsley - A

PC: Celina Goff



**Structure ID: 2280819**

**P3 MH048CCN36**

**CON CONE w/24" HOLE F/G**

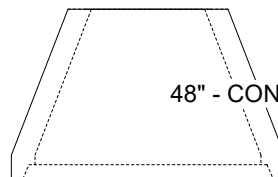
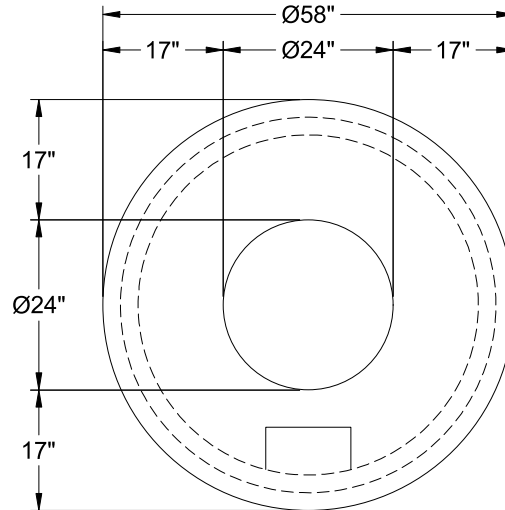
- P4) 24" - CASTING HEIGHT - 7"
- P3) 48" - CON CONE w/24" HOLE F/G - 36"
- P2) 48" - MH RISER T/G - 60"
- P1) 48" - MH BASE (08"F) T/n - 47"
- 1) 48" - MH INVERT CHANNEL - FULL HEIGHT
- 2) 48" - Conseal CS-102 1.00" (Double)
- 2) Kor-N-Seal2 - S206-28
- 10) MH Step ML-10-TDS-NCR - 10"

0 lb  
 2252 lb  
 4192 lb  
 4512 lb  
 1440 lb  
 0 lb  
 13 lb  
 0 lb  
 -----  
 12408 lb

Structure Total: 12408 lb

Structure Notes:

1. PER ASTM C-478 SPECIFICATIONS
2. CONCRETE: 4,000 PSI AT 28 DAYS
3. REINFORCEMENT: PER ASTM A615
4. STEPS REQUIRED
5. 7" CASTING SUPPLIED BY OTHERS



48" - CON CONE w/24" HOLE F/G - 36" - (P3)

Coating (Int):  
 Coating (Ext):

Seam Up: Flat  
 Seam Dn: Groove

Wall Thickness: 5"

Height (Ext): 36"

Weight (Net): 2252 lb  
 Volume (Net): 0.57cu.yd