

**Job Name: 25-3118 - W6 Ph 2-C Force Main Improvements**  
**Job Location: Fort Mitchell, KY 41017**  
**Contractor: Lykins Contracting**

PC: Celina Goff  
 TECH: J. Horsley - A  
 Plant: 100



Structure ID: **2280813**  
 Spec: Sanitary  
 Type: SAN.MH  
 Size: 48"

Rim: 762.91'  
 Invert: 747.47'  
 Rim to Invert: 15.44'

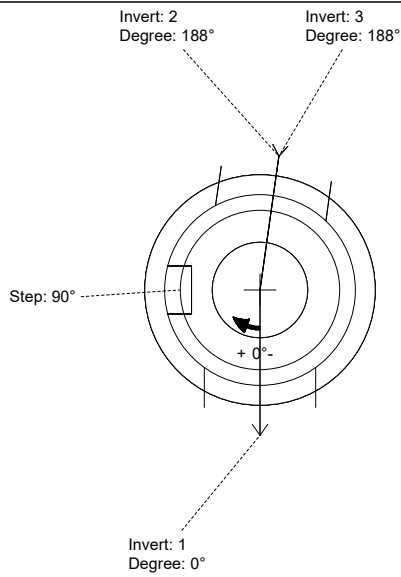
Sump: 2.309"  
 Floor (Top): 747.278"  
 Floor Height: 6"

Floor (Bot): 746.778'  
 Overall Height: 15.917'  
 Slack: 2.59"

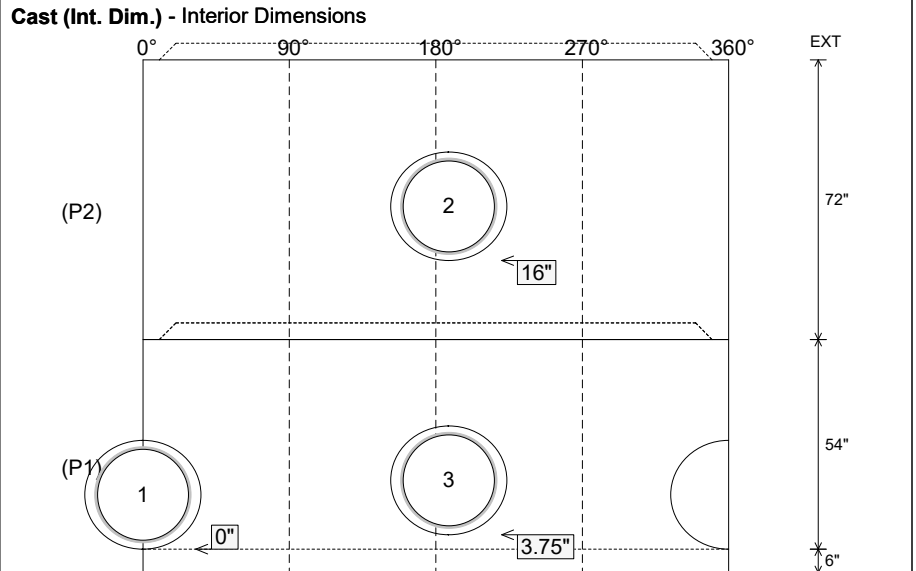
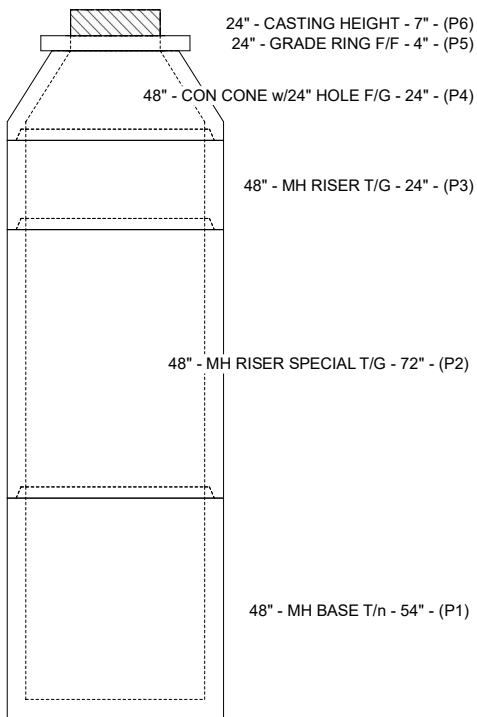
- Structure Notes:**
- PER ASTM C-478 SPECIFICATIONS
  - CONCRETE: 4,000 PSI AT 28 DAYS
  - REINFORCEMENT:
    - CONE & RISERS: PER ASTM A615
    - BASE WALLS: PER ASTM A615 - DOUBLE MAT
    - BASE FLOOR: #5 BAR @ 12" C.C. E.W. (GRADE 60)
  - INVERT CHANNEL REQUIRED
  - STEPS AT 90 DEGREES
  - 7" CASTING SUPPLIED BY OTHERS
  - EXTERIOR DROP AT INVERTS 2 & 3 SUPPLIED BY OTHERS - ICAST TO SUPPLY OPENINGS & BOOTS

**STRUCTURE SUMMARY:**

P6) 24" - CASTING HEIGHT - 7"	0 lb
P5) 24" - GRADE RING F/F - 4"	270 lb
P4) 48" - CON CONE w/24" HOLE F/G - 24"	2252 lb
P3) 48" - MH RISER T/G - 24"	1677 lb
P2) 48" - MH RISER SPECIAL T/G - 72"	4757 lb
P1) 48" - MH BASE T/n - 54"	4557 lb
1) 48" - MH INVERT CHANNEL - FULL HEIGHT	1440 lb
3) 48" - Conseal CS-102 1.00" (Double)	0 lb
3) Kor-N-Seal2 - S206-28	20 lb
12) MH Step ML-10-TDS-NCR - 10"	0 lb
<b>Structure Total:</b>	<b>14972 lb</b>



Position	Elev	Angle	Pipe	Pipe OD	Hole	Connector	Up (")	Ref
Rim	762.91'							
Reducer								
Invert 1	747.47'	0°	24" PVC SDR35/F679	24.803"	28"	Kor-N-Seal2 S206-28	0"	P1
Invert 2	753.66'	188°	24" PVC SDR35/F679	24.803"	28"	Kor-N-Seal2 S206-28	16"	P2
Invert 3	747.78'	188°	24" PVC SDR35/F679	24.803"	28"	Kor-N-Seal2 S206-28	3.75"	P1
Invert 4								
Invert 5								
Invert 6								
Invert 7								
Invert 8								



Submittal Drawing  
 3/17/2026 12:36:14 PM

SUBMITTAL  
 APPROVED BY: