

Job Name: 25-3118 - W6 Ph 2-C Force Main Improvements  
 Job Location: Fort Mitchell, KY 41017  
 Contractor: Lykins Contracting

Plant: 100

3/27/2026 11:41:17 AM

Tech: J. Horsley - A

PC: Celina Goff



**Structure ID: 2280813**

**P5 GR4**

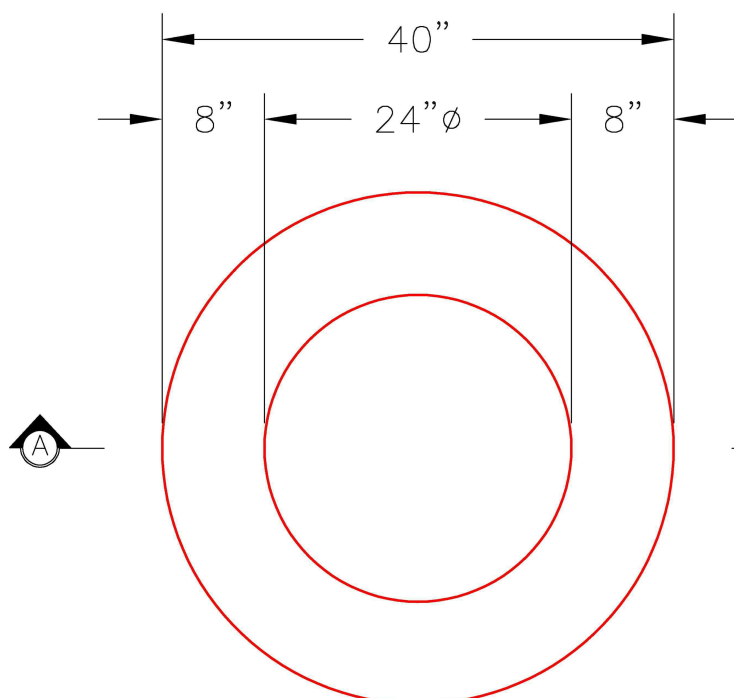
**GRADE RING F/F**

- P6) 24" - CASTING HEIGHT - 7"
- P5) 24" - GRADE RING F/F - 4"
- P4) 48" - CON CONE w/24" HOLE F/G - 24"
- P3) 48" - MH RISER T/G - 24"
- P2) 48" - MH RISER SPECIAL T/G - 72"
- P1) 48" - MH BASE T/n - 54"
- 1) 48" - MH INVERT CHANNEL - FULL HEIGHT
- 3) 48" - Conseal CS-102 1.00" (Double)
- 3) Kor-N-Seal2 - S206-28
- 12) MH Step ML-10-TDS-NCR - 10"

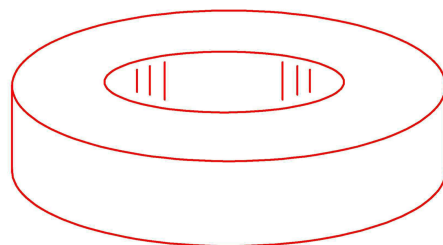
0 lb  
 270 lb  
 2252 lb  
 1677 lb  
 4757 lb  
 4557 lb  
 1440 lb  
 0 lb  
 20 lb  
 0 lb  
 -----  
 Structure Total: 14972 lb

Structure Notes:

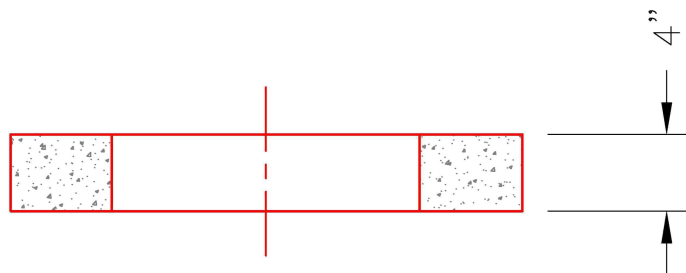
1. PER ASTM C-478 SPECIFICATIONS
2. CONCRETE: 4,000 PSI AT 28 DAYS
3. REINFORCEMENT: (1) #3 HOOP CENTERED (GRADE 60)



**PLAN VIEW**



**ISOMETRIC VIEW**



**SECTION A-A**

Coating (Int):  
 Coating (Ext):

Seam Up: Flat  
 Seam Dn: Flat

Wall Thickness: 8"

Height (Ext): 4"

Weight (Net): 270 lb  
 Volume (Net): 0.07cu.yd