

Job Name: 25-3118 - W6 Ph 2-C Force Main Improvements
 Job Location: Fort Mitchell, KY 41017
 Contractor: Lykins Contracting

Plant: 100

3/27/2026 11:41:38 AM

Tech: J. Horsley - A

PC: Celina Goff



Structure ID: 1750296

P2 MH048CCN24

CON CONE w/24" HOLE F/G

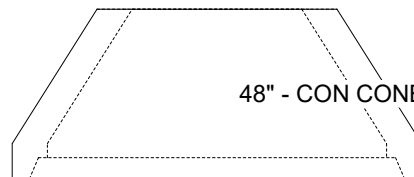
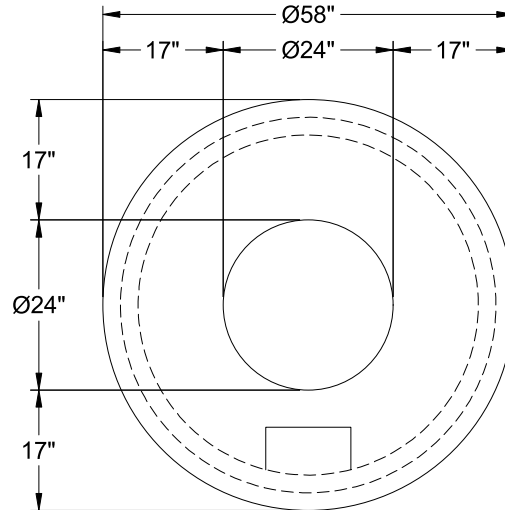
- P3) 24" - CASTING HEIGHT - 7"
- P2) 48" - CON CONE w/24" HOLE F/G - 24"
- P1) 48" - MH BASE (08"F) w/DROP Custom Ht T/n - 70"
- 1) 48" - MH INVERT CHANNEL - FULL HEIGHT
- 1) 48" - Conseal CS-102 1.00" (Double)
- 2) Kor-N-Seal2 - S206-18L
- 1) Drop Tee - 12" PVC
- 1) Drop Elbow - 12" PVC
- 8) MH Step ML-10-TDS-NCR - 10"

0 lb
 2252 lb
 13059 lb
 1440 lb
 0 lb
 12 lb
 0 lb
 0 lb
 0 lb

 16763 lb

Structure Total: 16763 lb

- Structure Notes:
1. PER ASTM C-478 SPECIFICATIONS
 2. CONCRETE: 4,000 PSI AT 28 DAYS
 3. REINFORCEMENT: PER ASTM A615
 4. STEPS REQUIRED
 5. 7" CASTING SUPPLIED BY OTHERS



48" - CON CONE w/24" HOLE F/G - 24" - (P2)

Coating (Int):
 Coating (Ext):

Seam Up: Flat
 Seam Dn: Groove

Wall Thickness: 5"

Height (Ext): 24"

Weight (Net): 2252 lb
 Volume (Net): 0.57cu.yd