

Job Name: 25-3113 ADS Project Smash
Job Location: Nashville, TN
Contractor: ADS Advances Drainage Systems, Inc.

PC: C. Goff
 TECH: J. Coppage
 Plant: Beaver Dam



Structure ID: **WQU-2**
 Spec: Storm-Pipe Centered
 Type: STM.MH
 Size: 120"

Rim: 564.87'
 Invert: 550.33'
 Rim to Invert: 14.54'

Sump: 162"
 Floor (Top): 536.83'
 Floor Height: 14"

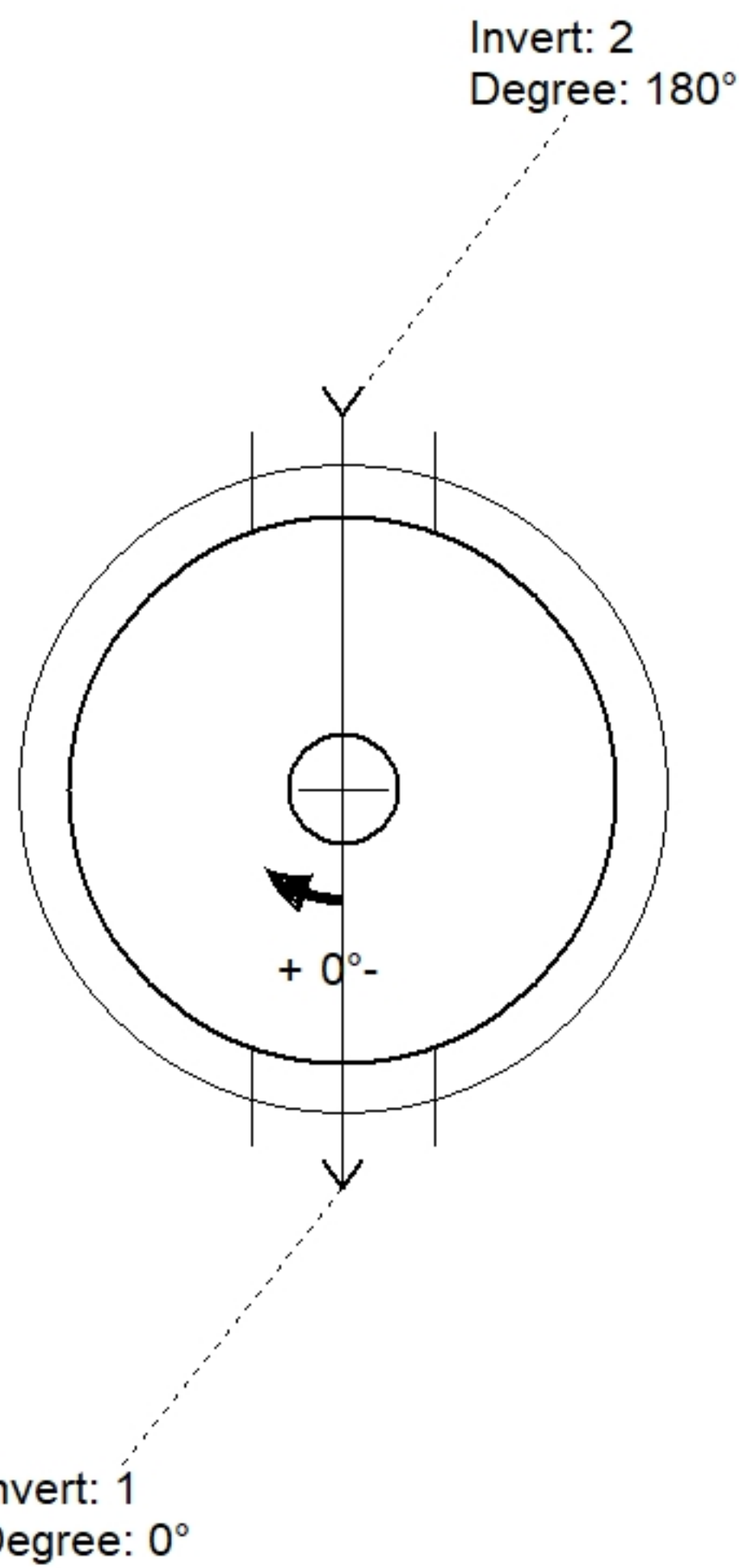
Floor (Bot): 535.663'
 Overall Height: 29'
 Slack: 2.48"

Structure Notes:

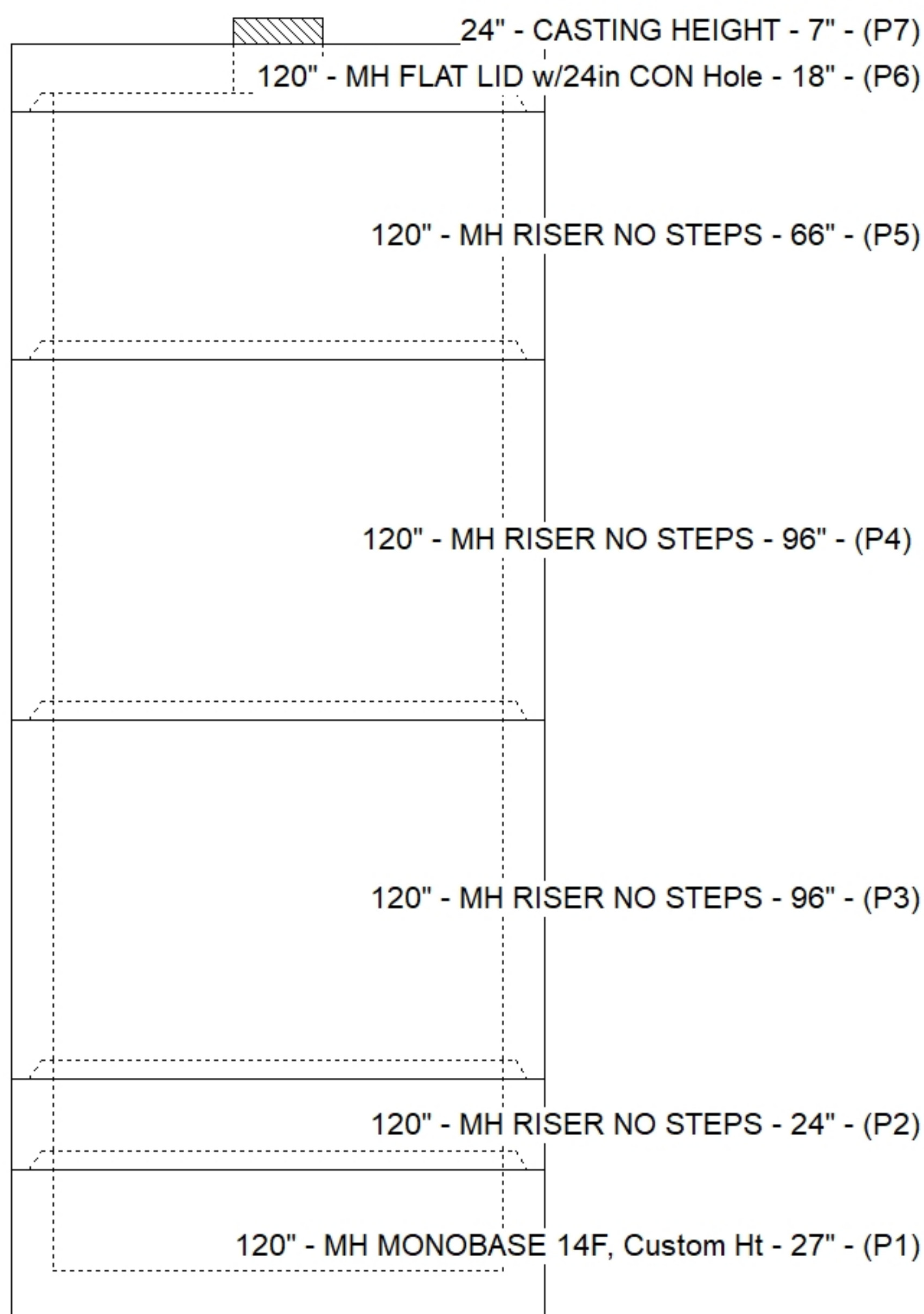
- JR HOE MC-375 STORM PROVIDED BY ICAST.
- PER ASTM C478 SPECIFICATIONS.
- CONCRETE = 4,000 PSI AT 28 DAYS.
- REINFORCING PER ASTM A615 (GRADE 60).
 - TOP SLAB (As .62) #5 BARS AT 6" C.C.E.W..
 - RISER/WALLS (As .36)
 - FLOOR (As .47) #5 BARS AT 8" C.C.E.W.
- LIFTING ANCHORS TO BE INSTALLED ON THE OUTSIDE OF THE STRUCTURE.
- INTERNAL COMPONENTS TO BE INSTALLED IN THE FIELD.

STRUCTURE SUMMARY:

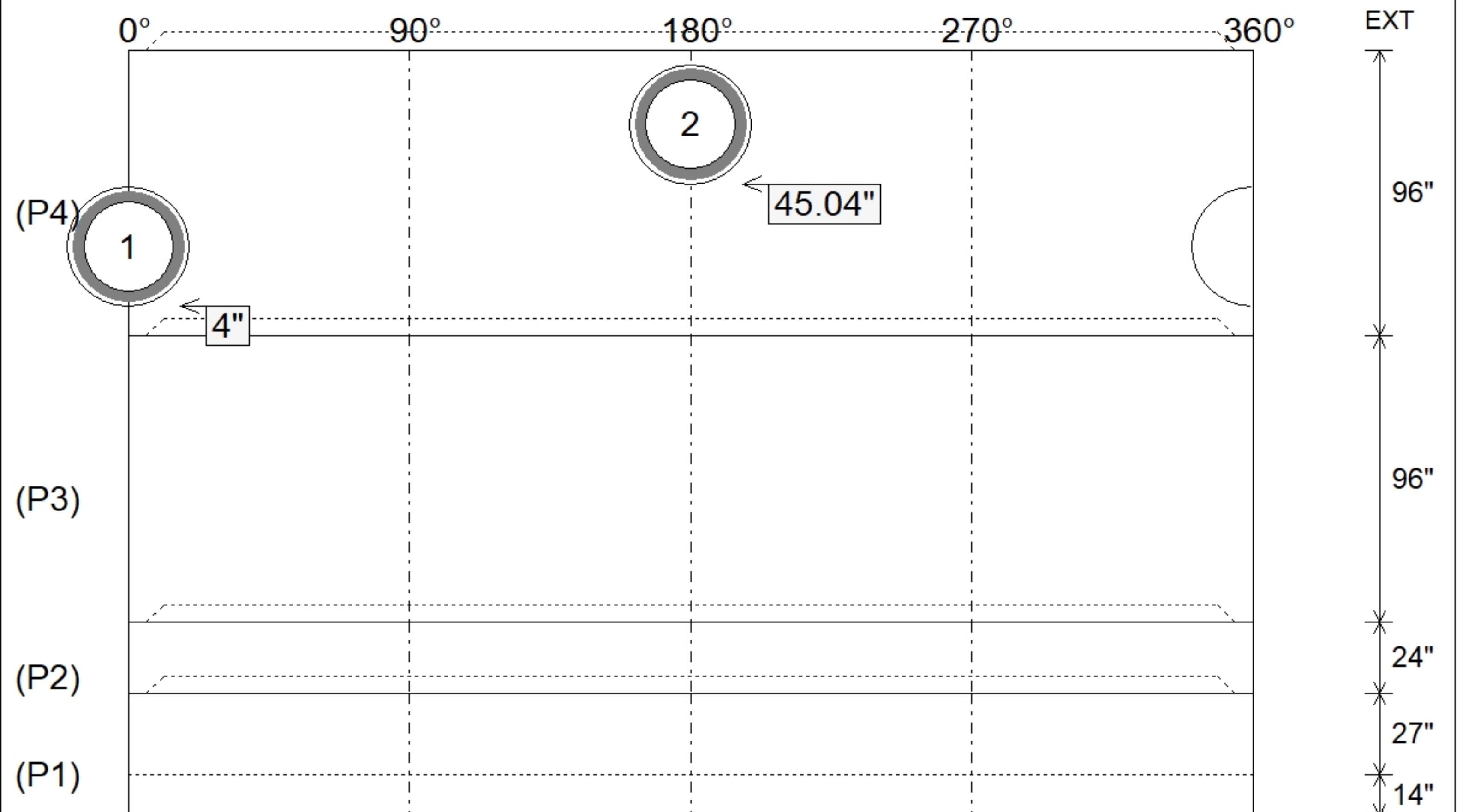
P7) 24" - CASTING HEIGHT - 7"	0 lb
P6) 120" - MH FLAT LID w/24in CON Hole - 18"	16678 lb
P5) 120" - MH RISER NO STEPS - 66"	25072 lb
P4) 120" - MH RISER NO STEPS - 96"	34109 lb
P3) 120" - MH RISER NO STEPS - 96"	36468 lb
P2) 120" - MH RISER NO STEPS - 24"	9117 lb
P1) 120" - MH MONOBASE 14F, Custom Ht - 27"	28861 lb
1) ASSEMBLY REQUIRED	0 lb
1) SECONDARY POUR	0 lb
5) 120" - SGL 1"x14.5' Butyl (3x)	0 lb
2) Hole - 40	0 lb
Structure Total:	150305 lb



Position	Elev	Angle	Pipe	Pipe OD	Hole	Connector	Up (")	Ref
Rim	564.87'							
Reducer								
Invert 1	550.33'	0°	30" RCP B WALL	37"	40"	Hole 40	4"	P4
Invert 2	553.75'	180°	30" RCP B WALL	37"	40"	Hole 40	45.04"	P4
Invert 3								
Invert 4								
Invert 5								
Invert 6								
Invert 7								
Invert 8								



Default - Interior Dimensions



Submittal Drawing
 11/11/2025 11:18:03 AM

SUBMITTAL
 APPROVED BY: