

Job Name: 25-3113 ADS Project Smash
 Job Location: Nashville, TN
 Contractor: ADS Advances Drainage Systems, Inc.

Plant: Beaver Dam
 11/10/2025 2:18:59 PM

Tech: J. Coppage
 PC: C. Goff



Structure ID: WQU-2

P4 MH120RS96

MH RISER NO STEPS

- P7) 24" - CASTING HEIGHT - 7"
- P6) 120" - MH FLAT LID w/24in CON Hole - 18"
- P5) 120" - MH RISER NO STEPS - 66"
- P4) 120" - MH RISER NO STEPS - 96"
- P3) 120" - MH RISER NO STEPS - 96"
- P2) 120" - MH RISER NO STEPS - 24"
- P1) 120" - MH MONOBASE 14F, Custom Ht - 27"
- 1) ASSEMBLY REQUIRED
- 1) SECONDARY POUR
- 5) 120" - SGL 1"x14.5' Butyl (3x)
- 2) Hole - 40

0 lb
 16678 lb
 25072 lb
 34109 lb
 36468 lb
 9117 lb
 28861 lb
 0 lb
 0 lb
 0 lb
 0 lb

 150305 lb

Structure Total:

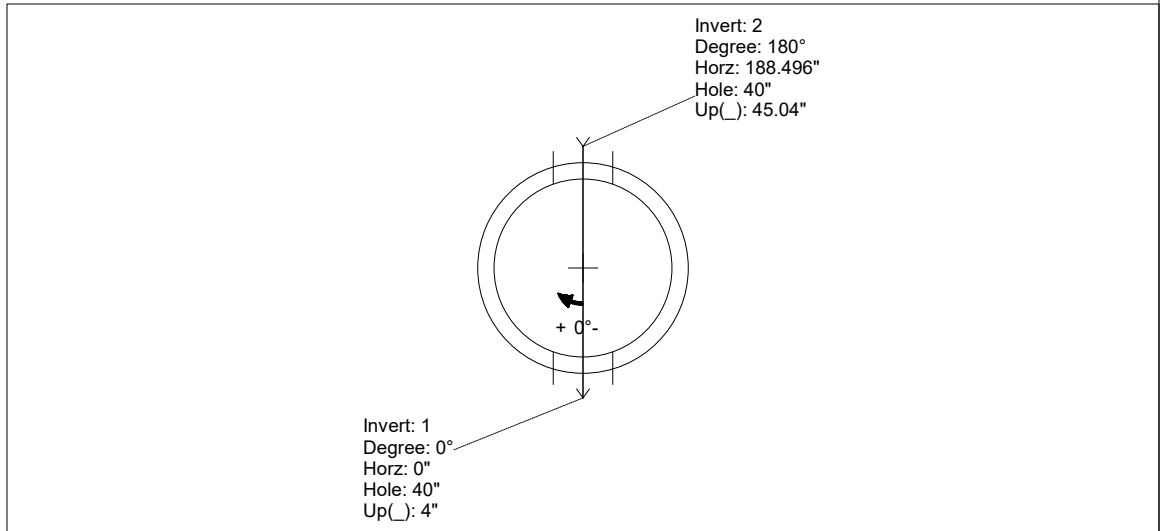
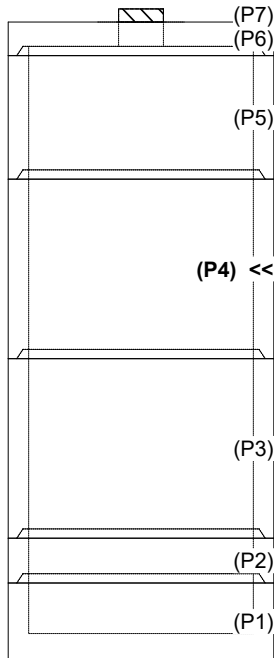
Structure Notes:

1. JR HOE MC-375 STORM PROVIDED BY ICAST.
2. PER ASTM C478 SPECIFICATIONS.
3. CONCRETE = 4,000 PSI AT 28 DAYS.
4. REINFORCING PER ASTM A615 (GRADE 60).
 - TOP SLAB (As .62) #5 BARS AT 6" C.C.E.W..
 - RISER/WALLS (As .36)
5. LIFTING ANCHORS TO BE INSTALLED ON THE OUTSIDE OF THE STRUCTURE.
6. INTERNAL COMPONENTS TO BE INSTALLED IN THE FIELD.

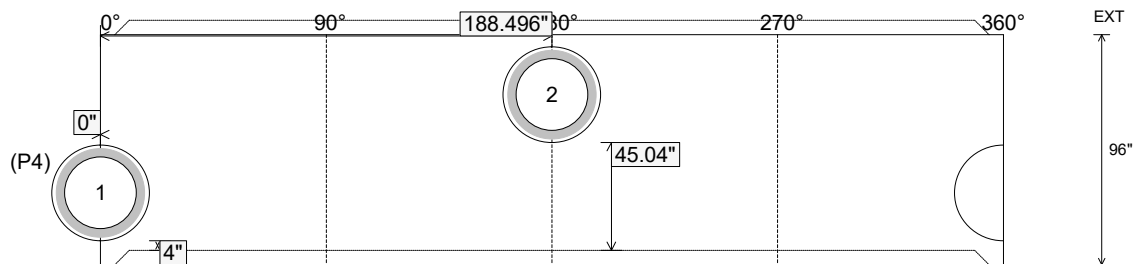
Rim: 564.87' Rim to Invert: 14.54' Slack: 2.48" Sump: 162" Step Position:

Position	Elev	Angle	Ext. (cw)	Pipe	Pipe OD	Connector	Hole	Horz Size	Up ()	Offset
Invert 1	550.33'	0°	0"	30" RCP B WALL	37"	Hole 40	40"	40.78"	4"	0"
Invert 2	553.75'	180°	223.053"	30" RCP B WALL	37"	Hole 40	40"	40.78"	45.04"	0"
Invert 3										
Invert 4										
Invert 5										
Invert 6										
Invert 7										
Invert 8										

RIGHT-SIDE UP VIEW (int. dimensions)



INSIDE WALL DIMENSIONS



Coating (Int):
 Coating (Ext):

Seam Up: Tongue
 Seam Dn: Groove

Wall Thickness: 11"
 Floor Height: 0"

Height (Int): 96"
 Height (Ext): 96"

Weight (Net): 34109 lb
 Volume (Net): 8.71cu.yd