

Job Name: 25-3113 ADS Project Smash
Job Location: Nashville, TN
Contractor: ADS Advances Drainage Systems, Inc.

PC: C. Goff
 TECH: J. Coppage
 Plant: Beaver Dam



Structure ID: **WQU-1**
 Spec: Storm-Pipe Centered
 Type: STM.MH
 Size: 96"

Rim: 569.93'
 Invert: 551.15'
 Rim to Invert: 18.78'

Sump: 132"
 Floor (Top): 540.15'
 Floor Height: 13"

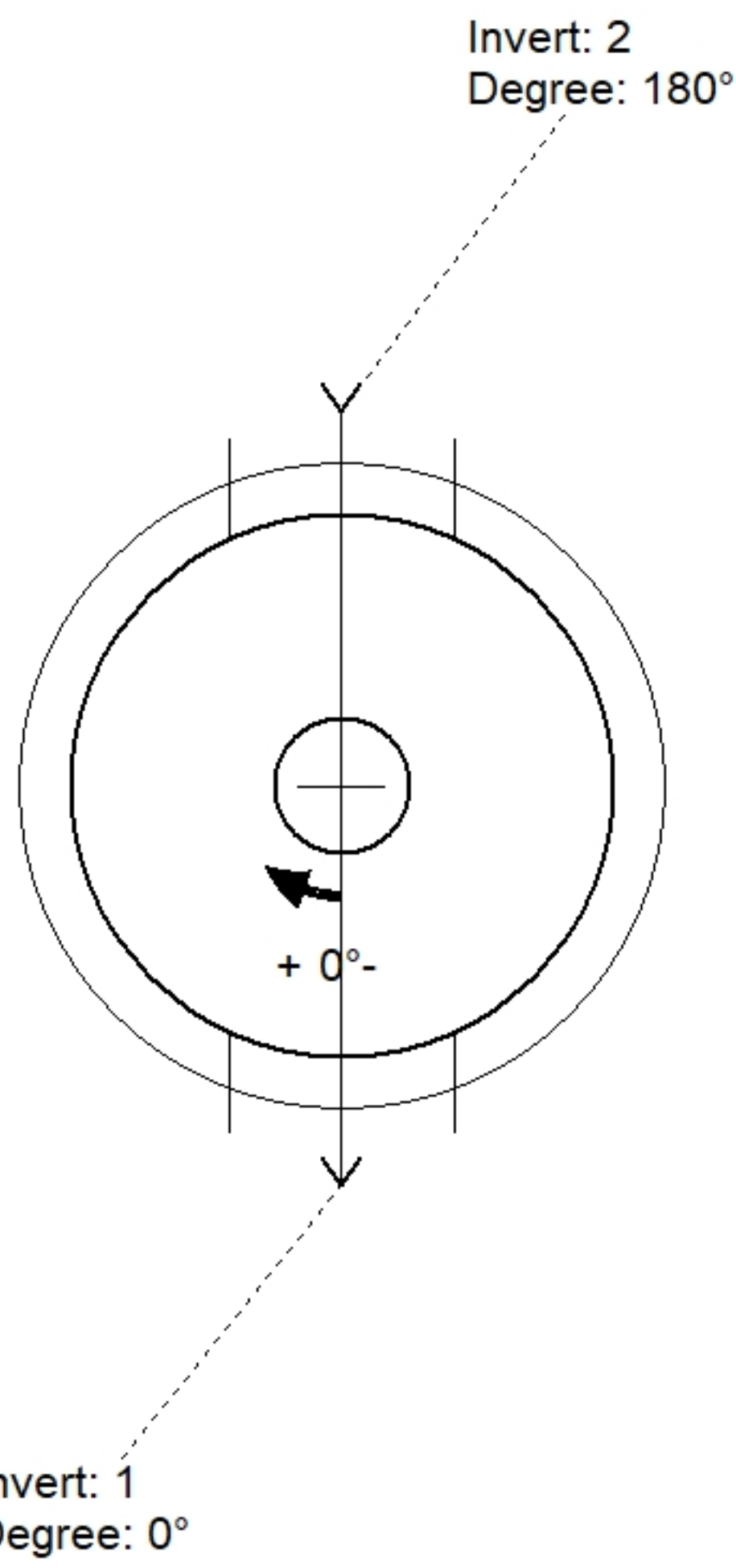
Floor (Bot): 539.067'
 Overall Height: 30.75'
 Slack: 1.36"

Structure Notes:

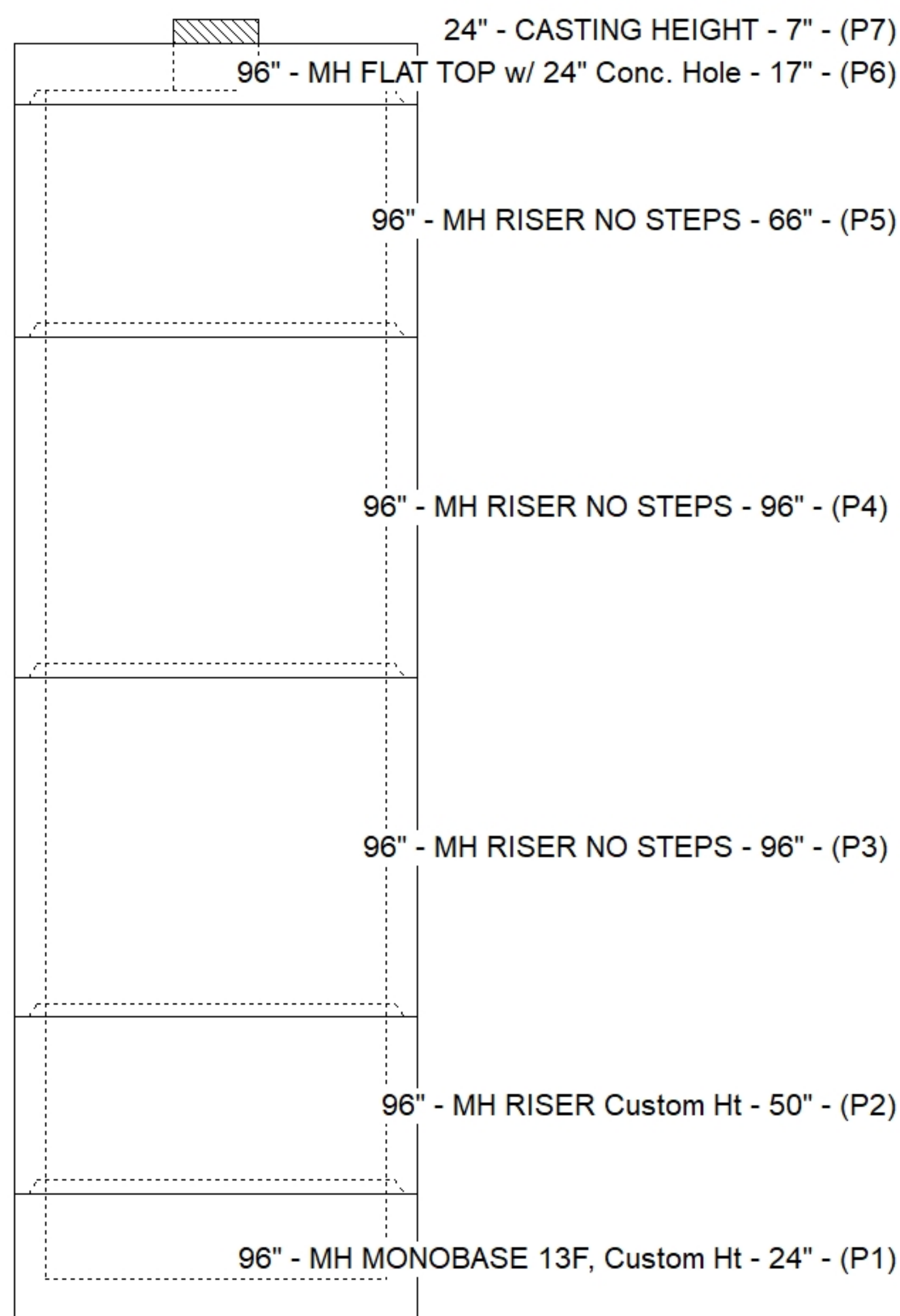
1. JR HOE MC-375 STORM PROVIDED BY ICAST.
2. PER ASTM C478 SPECIFICATIONS.
3. CONCRETE = 4,000 PSI AT 28 DAYS.
4. REINFORCING PER ASTM A615 (GRADE 60).
 - TOP SLAB (As .62) #5 BARS AT 6" C.C.E.W..
 - RISER/WALLS (As .24)
 - FLOOR (As .47) #5 BARS AT 8" C.C.E.W.
5. LIFTING ANCHORS TO BE INSTALLED ON THE OUTSIDE OF THE STRUCTURE.
6. INTERNAL COMPONENTS TO BE INSTALLED IN THE FIELD.

STRUCTURE SUMMARY:

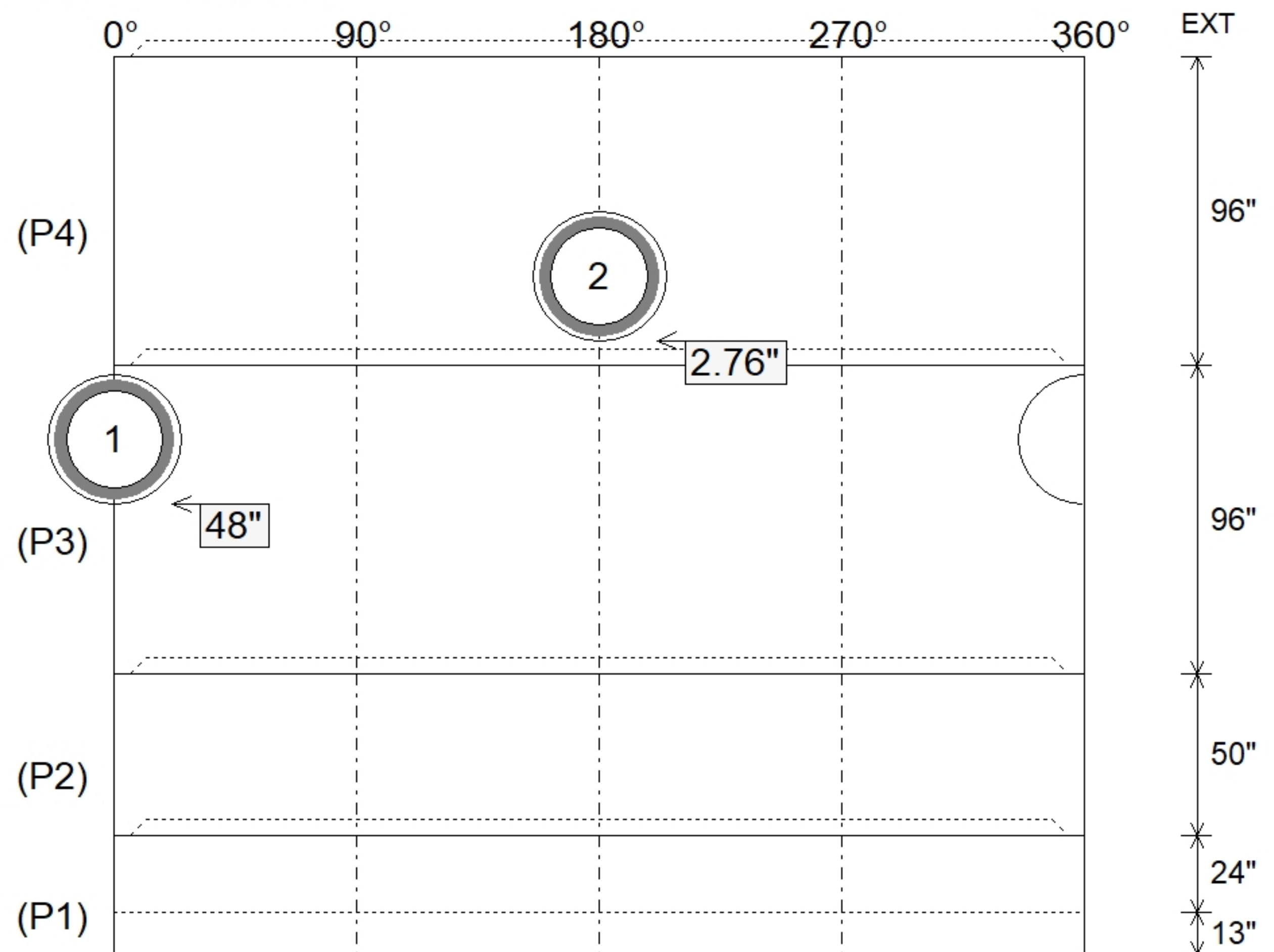
P7) 24" - CASTING HEIGHT - 7"	0 lb
P6) 96" - MH FLAT TOP w/ 24" Conc. Hole - 17"	10473 lb
P5) 96" - MH RISER NO STEPS - 66"	16442 lb
P4) 96" - MH RISER NO STEPS - 96"	22941 lb
P3) 96" - MH RISER NO STEPS - 96"	22941 lb
P2) 96" - MH RISER Custom Ht - 50"	12456 lb
P1) 96" - MH MONOBASE 13F, Custom Ht - 24"	17113 lb
1) ASSEMBLY REQUIRED	0 lb
1) SECONDARY POUR	0 lb
5) 96" - Conseal CS-102 1.00"	0 lb
2) Hole - 40	0 lb
Structure Total:	102366 lb



Position	Elev	Angle	Pipe	Pipe OD	Hole	Connector	Up (L)	Ref
Rim	569.93'							
Reducer								
Invert 1	551.15'	0°	30" RCP B WALL	37"	40"	Hole 40	48"	P3
Invert 2	555.38'	180°	30" RCP B WALL	37"	40"	Hole 40	2.76"	P4
Invert 3								
Invert 4								
Invert 5								
Invert 6								
Invert 7								
Invert 8								



Default - Interior Dimensions



Submittal Drawing
 11/11/2025 11:18:01 AM

SUBMITTAL
 APPROVED BY: