

Structure ID: WQU-1

P5 MH096RS66

MH RISER NO STEPS

P7) 24" - CASTING HEIGHT - 7" P6) 96" - MH FLAT TOP w/ 24" Conc. Hole - 17" P5) 96" - MH RISER NO STEPS - 66" P4) 96" - MH RISER NO STEPS - 96" P3) 96" - MH RISER NO STEPS - 96" P2) 96" - MH RISER Custom Ht - 50" P1) 96" - MH MONOBASE 13F, Custom Ht - 24" 1) ASSEMBLY REQUIRED 1) SECONDARY POUR 5) 96" - Conseal CS-102 1.00" 2) Hole - 40	0 lb 10473 lb 16442 lb 22941 lb 22941 lb 12456 lb 17113 lb 0 lb 0 lb 0 lb 0 lb ----- Structure Total: 102366 lb
---	---

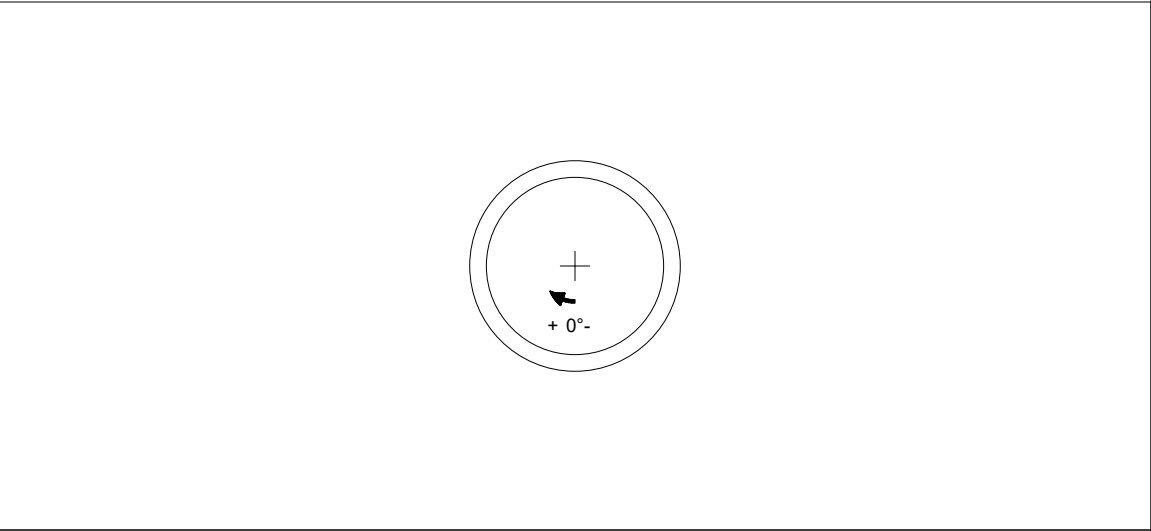
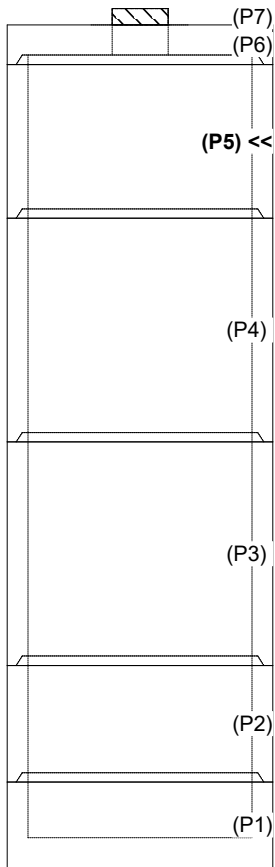
Structure Notes:

1. JR HOE MC-375 STORM PROVIDED BY ICAST.
2. PER ASTM C478 SPECIFICATIONS.
3. CONCRETE = 4,000 PSI AT 28 DAYS.
4. REINFORCING PER ASTM A615 (GRADE 60).
 - TOP SLAB (As .62) #5 BARS AT 6" C.C.E.W..
 - RISER/WALLS (As .24)
5. LIFTING ANCHORS TO BE INSTALLED ON THE OUTSIDE OF THE STRUCTURE.
6. INTERNAL COMPONENTS TO BE INSTALLED IN THE FIELD.

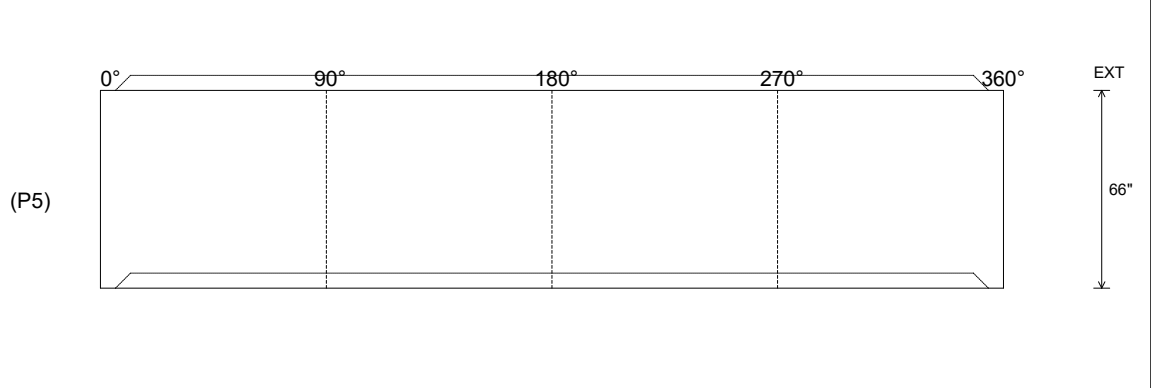
Rim: 569.93' Rim to Invert: 18.78' Slack: 1.36" Sump: 132" Step Position:

Position	Elev	Angle	Ext. (cw)	Pipe	Pipe OD	Connector	Hole	Horz Size	Up (L)	Offset
Invert 1										
Invert 2										
Invert 3										
Invert 4										
Invert 5										
Invert 6										
Invert 7										
Invert 8										

RIGHT-SIDE UP VIEW (int. dimensions)



INSIDE WALL DIMENSIONS



Coating (Int): Coating (Ext):	Seam Up: Tongue Seam Dn: Groove	Wall Thickness: 9" Floor Height: 0"	Height (Int): 66" Height (Ext): 66"	Weight (Net): 16442 lb Volume (Net): 4.2cu.yd
----------------------------------	------------------------------------	--	--	--