

**Job Name: 25-3109 Heartland Meadows Ph.1**  
**Job Location: Dry Ridge, KY**  
**Contractor: Winsupply**

PC: A.Chambers  
 TECH: C.Russ  
 Plant: Beaver Dam



Structure ID: **STMH 9**

Spec: Storm  
 Type: STM.MH (Recessed pipe)  
 Size: 48"

Rim: 919'  
 Invert: 914.5'  
 Rim to Invert: 4.5'

Sump: 0"  
 Floor (Top): 914.5'  
 Floor Height: 6"

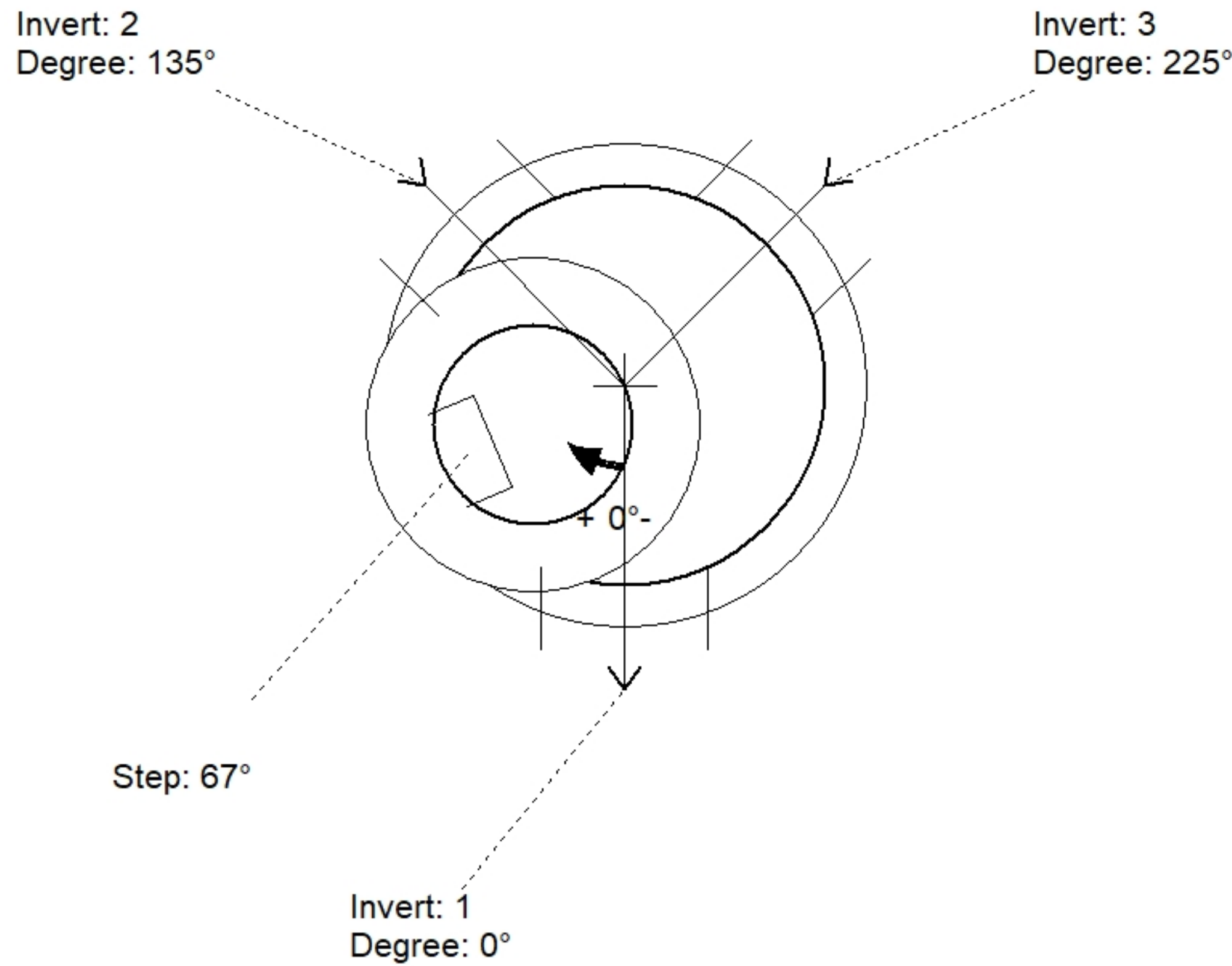
Floor (Bot): 914'  
 Overall Height: 4.917'  
 Slack: 1"

Structure Notes:

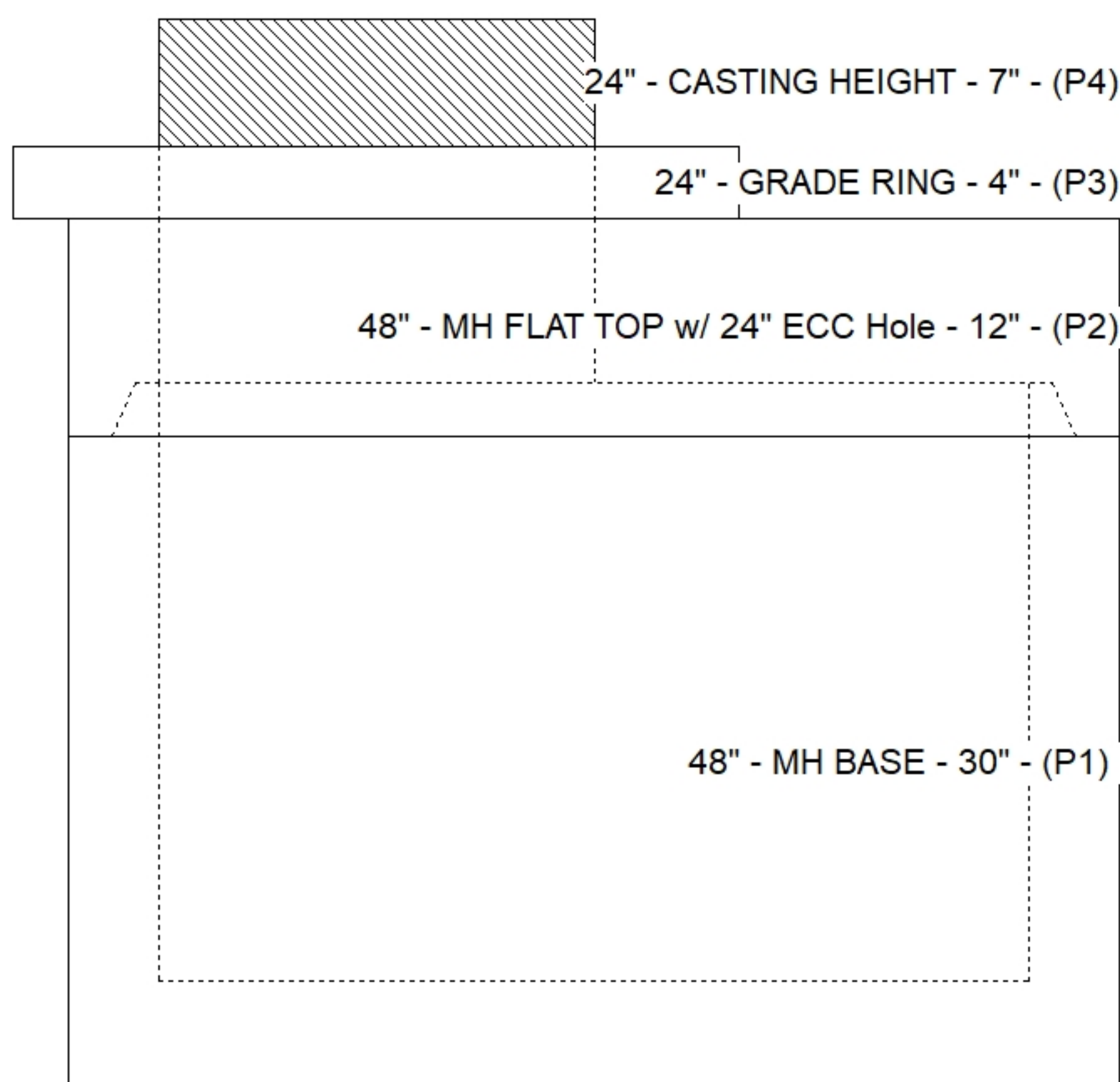
1. PER ASTM C478 SPECIFICATIONS.
2. CONCRETE = 4,000 PSI AT 28 DAYS.
3. NO INVERT CHANNEL.
4. REINFORCING PER ASTM A615 (GRADE 60).
5. CASTING BY OTHERS.

STRUCTURE SUMMARY:

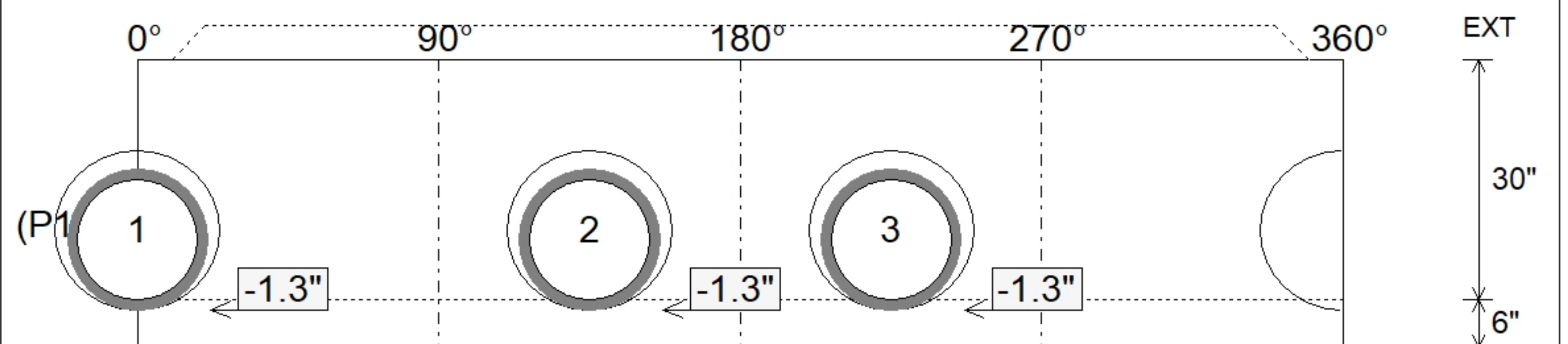
P4) 24" - CASTING HEIGHT - 7"	0 lb
P3) 24" - GRADE RING - 4"	270 lb
P2) 48" - MH FLAT TOP w/ 24" ECC Hole - 12"	1561 lb
P1) 48" - MH BASE - 30"	3020 lb
1) 48" - SGL 1"x14.5' Butyl (2x)	0 lb
3) Hole - 20	0 lb
3) MH Step ML-10-TDS-NCR - 10"	0 lb
<b>Structure Total:</b>	<b>4851 lb</b>



Position	Elev	Angle	Pipe	Pipe OD	Hole	Connector	Up ( )	Ref
Rim	919'							
Reducer								
Invert 1	914.5'	0°	15" HDPE	17.6"	20"	Hole 20	-1.3"	P1
Invert 2	914.5'	135°	15" HDPE	17.6"	20"	Hole 20	-1.3"	P1
Invert 3	914.5'	225°	15" HDPE	17.6"	20"	Hole 20	-1.3"	P1
Invert 4								
Invert 5								
Invert 6								
Invert 7								
Invert 8								



**Default - Interior Dimensions**



Submittal Drawing  
 12/1/2025 8:25:39 AM

SUBMITTAL  
 APPROVED BY: