

Job Name: 25-3109 Heartland Meadows Ph.1  
 Job Location: Dry Ridge, KY  
 Contractor: Winsupply

Plant: Beaver Dam

Tech: C.Russ

11/19/2025 1:56:07 PM

PC: A.Chambers



**Structure ID: OCS 19**

**P1 BX3636-08BAVF**

**BOX BASE 8inW, 8inF, Variable Ht**

- P3) 36" x 36" - CASTING HEIGHT - 0"
- P2) 36" x 36" - BOX RISER 8inW, Variable Ht - 44"
- P1) 36" x 36" - BOX BASE 8inW, 8inF, Variable Ht - 34"
- 2) 36" x 36" - SGL 1"x14.5' Butyl (2x)
- 1) Hole - 32
- 1) Horiz Slot - 24"x30"

- Structure Notes:
1. PER ASTM C913 SPECIFICATIONS.
  2. CONCRETE = 4,000 PSI AT 28 DAYS.
  3. NO INVERT CHANNEL.
  4. TRASH RACK BY OTHERS

Structure Total: 10008 lb

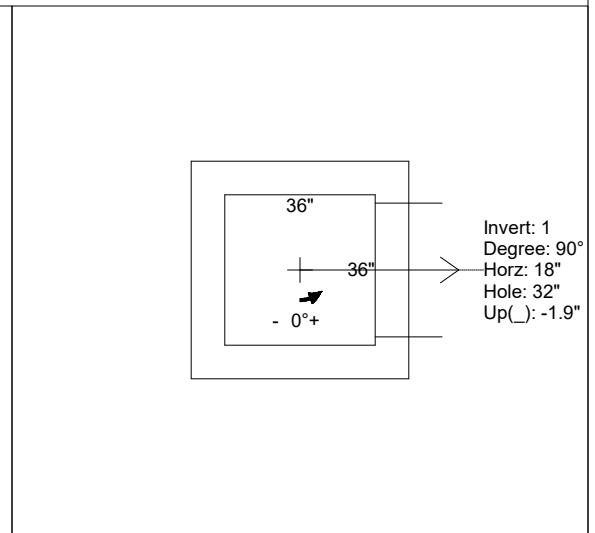
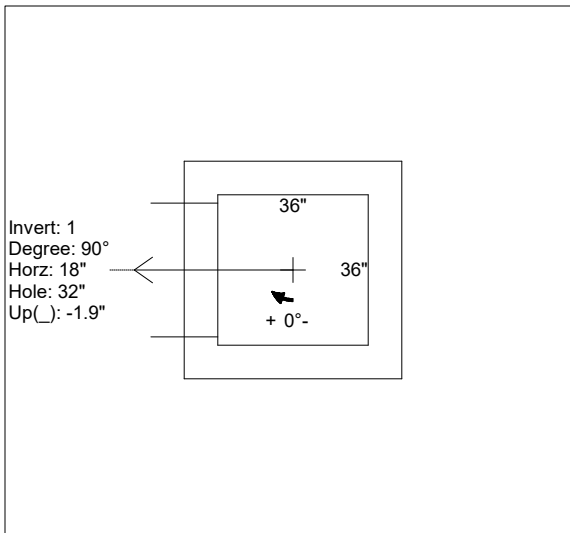
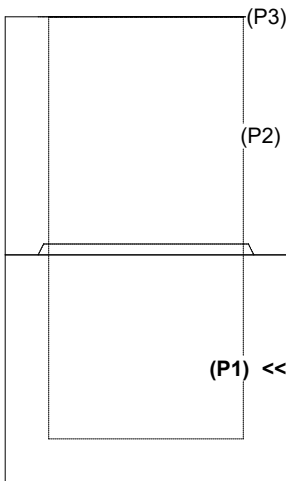
REINFORCING PER ASTM A615 (GRADE 60).  
 - WALLS (As .12) #5 BARS AT 12" C.C.E.W.  
 - FLOOR (As .12) #5 BARS AT 12" C.C.E.W.

Rim: 888' Rim to Invert: 6.5' Slack: -0.002" Sump: 0" Step Position: 180°

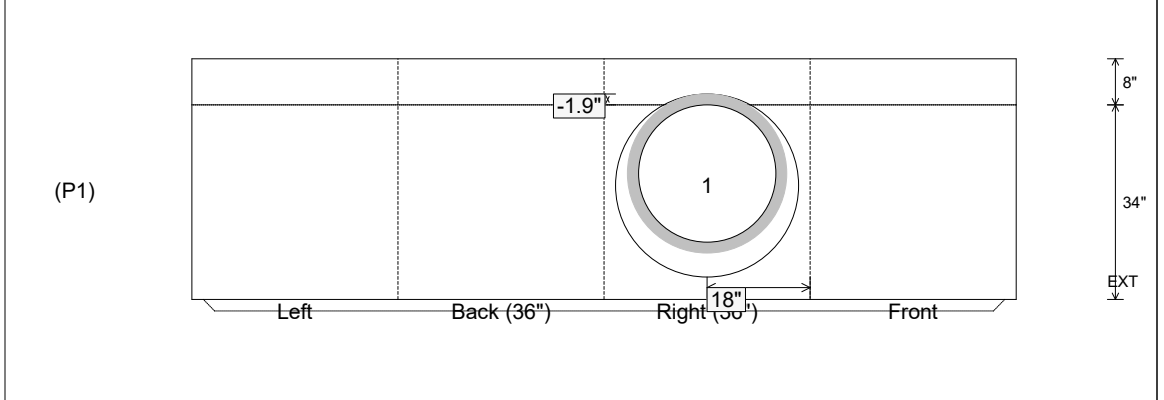
Position	Elev	Angle	Ext. (cw)	Pipe	Pipe OD	Connector	Hole	Horz Size	Up (↓)	Offset
Invert 1	881.5'	90°	26"	24" HDPE	27.8"	Hole 32	32"	32"	-1.9"	0"
Invert 2										
Invert 3										
Invert 4										
Invert 5										
Invert 6										
Invert 7										
Invert 8										

RIGHT-SIDE UP VIEW (int. dimensions)

UPSIDE-DOWN VIEW (int. dimensions)



INSIDE WALL DIMENSIONS



Coating (Int):  
 Coating (Ext):

Seam Up: Tongue  
 Seam Dn: n/a

Wall Thickness: 8"  
 Floor Height: 8"

Height (Int): 34"  
 Height (Ext): 42"

Weight (Net): 5292 lb  
 Volume (Net): 1.35cu.yd