

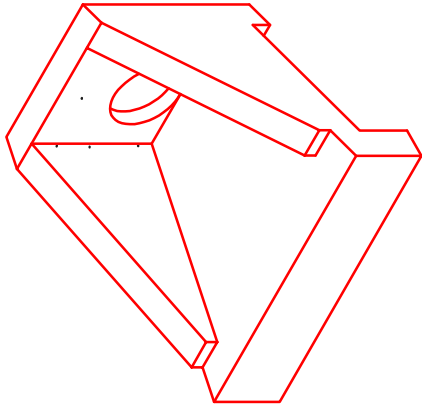


Structure ID: HW-5

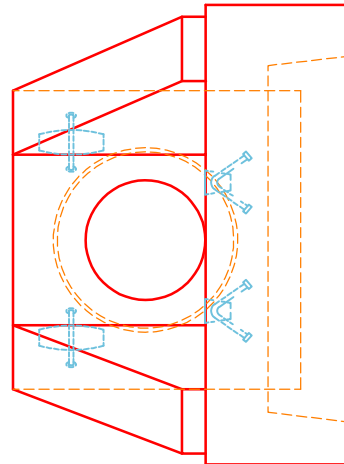
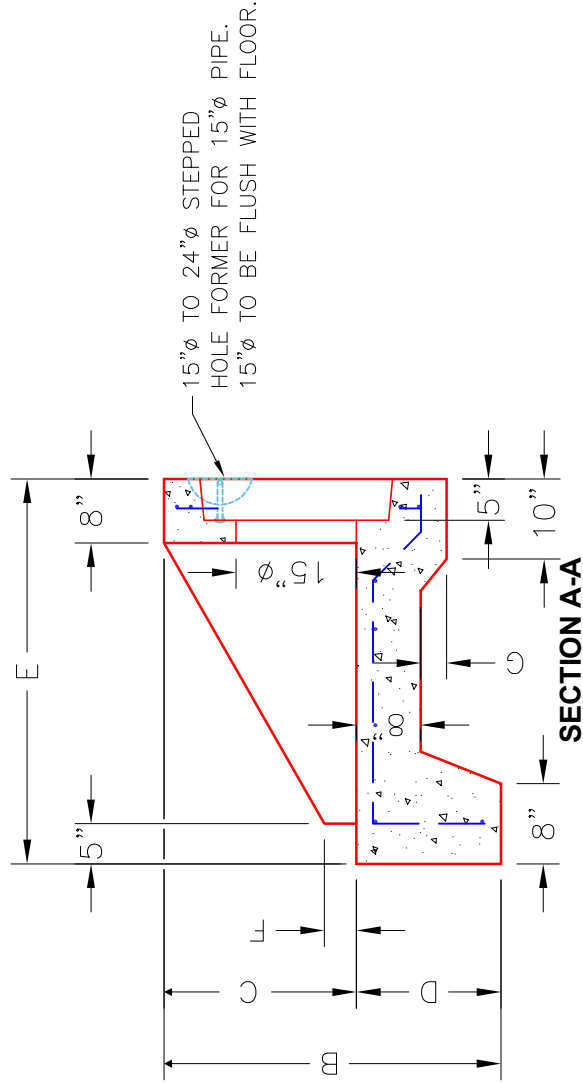
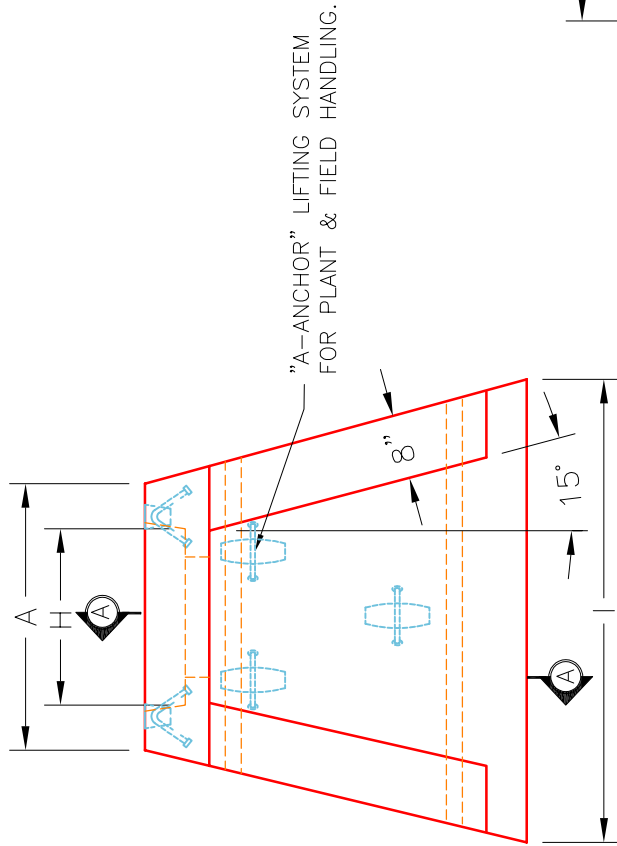
P1 HWSF15

15" - SLOPED & FLARED HEADWALL

DIMENSIONS										
PIPE Ø	A	B	C	D	E	F	G	H	I	WEIGHT
15"	2'-9"	3'-6"	2'-0"	1'-6"	4'-0"	3"	2 ³ / ₈ "	2'-0"	4'-9"	3,161 LBS.



ISOMETRIC VIEW
15"Ø HEADWALL



NOTES:

1. CONCRETE: 4500 PSI @ 28 DAYS.
2. REINFORCING: #4 BAR @ 12" C/C E.W.-GRADE 60, (WITH 2" CONCRETE COVER MINIMUM)
3. REINFORCING BARS TO BE TACK WELDED OR TIED.
4. DRAWING TO BE USED IN CONJUNCTION WITH KYTC STD. DRAWING RDH-020-03 AND THE STANDARD SPECIFICATIONS FOR ROAD AND BRIDGE CONSTRUCTION.
5. 3/4" CHAMFER ON ALL EXPOSED EDGES.