

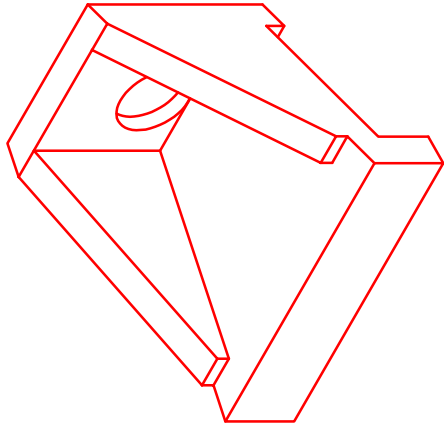


**Structure ID: HW-20**

**P1 HWSF24**

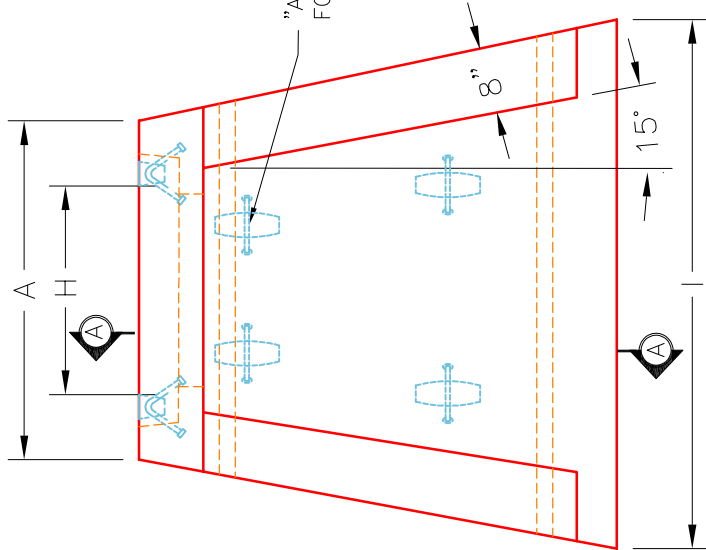
**24" - SLOPED & FLARED HEADWALL**

DIMENSIONS										
PIPE $\phi$	A	B	C	D	E	F	G	H	I	WEIGHT
24"	3'-6"	4'-4"	2'-10"	1'-6"	5'-0"	4"	3 1/4"	2'-10"	6'-0"	5,127 LBS.

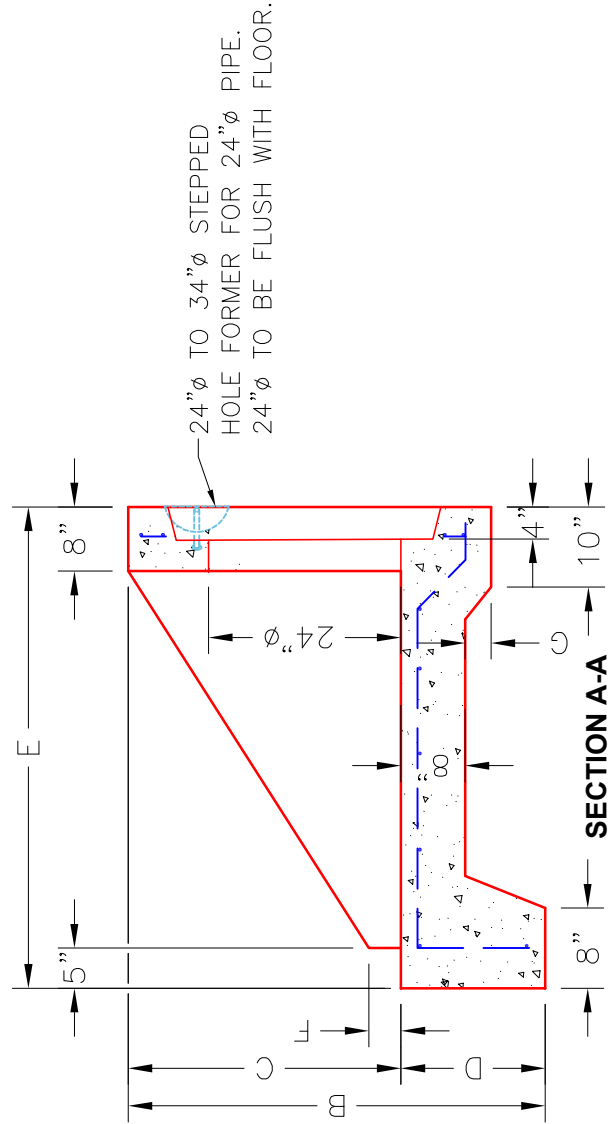


**ISOMETRIC VIEW**  
24"  $\phi$  HEADWALL

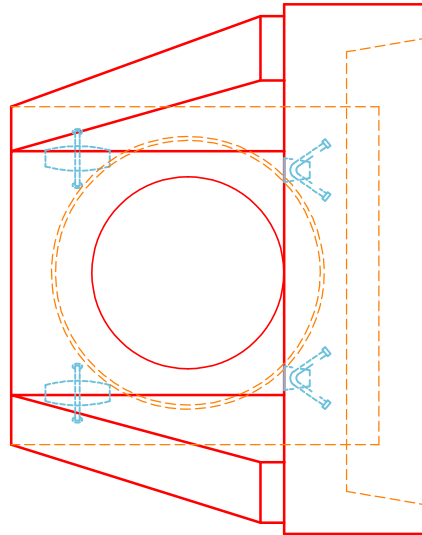
"A-ANCHOR" LIFTING SYSTEM FOR PLANT & FIELD HANDLING.



**PLAN VIEW**



**SECTION A-A**



**FRONT ELEVATION**

**NOTES:**

1. CONCRETE: 4500 PSI @ 28 DAYS.
2. REINFORCING: #4 BAR @ 12" C/C E.W. - GRADE 60, (WITH 2" CONCRETE COVER MINIMUM)
3. REINFORCING BARS TO BE TACK WELDED OR TIED.
4. DRAWING TO BE USED IN CONJUNCTION WITH KYTC STD. DRAWING RDH-020-03 AND THE STANDARD SPECIFICATIONS FOR ROAD AND BRIDGE CONSTRUCTION.
5. 3/4" CHAMFER ON ALL EXPOSED EDGES.