

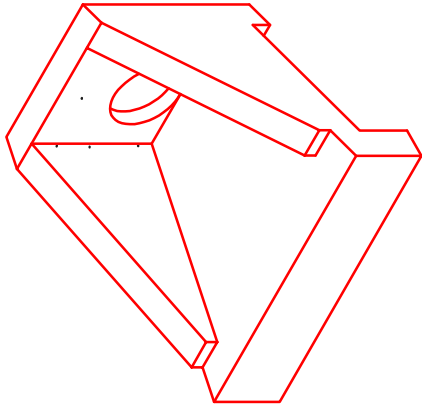


**Structure ID: HW-2**

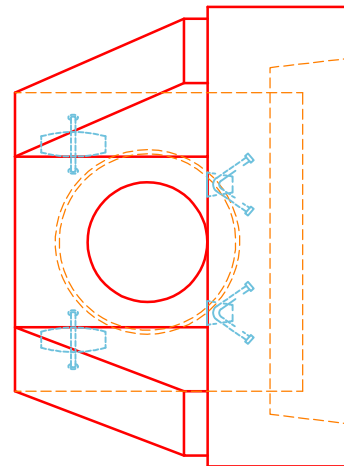
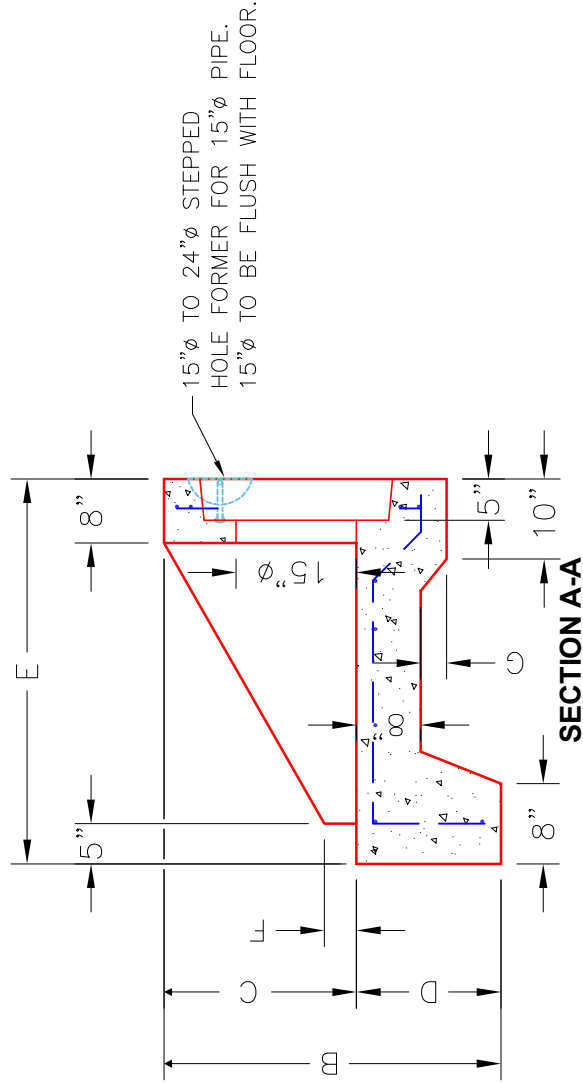
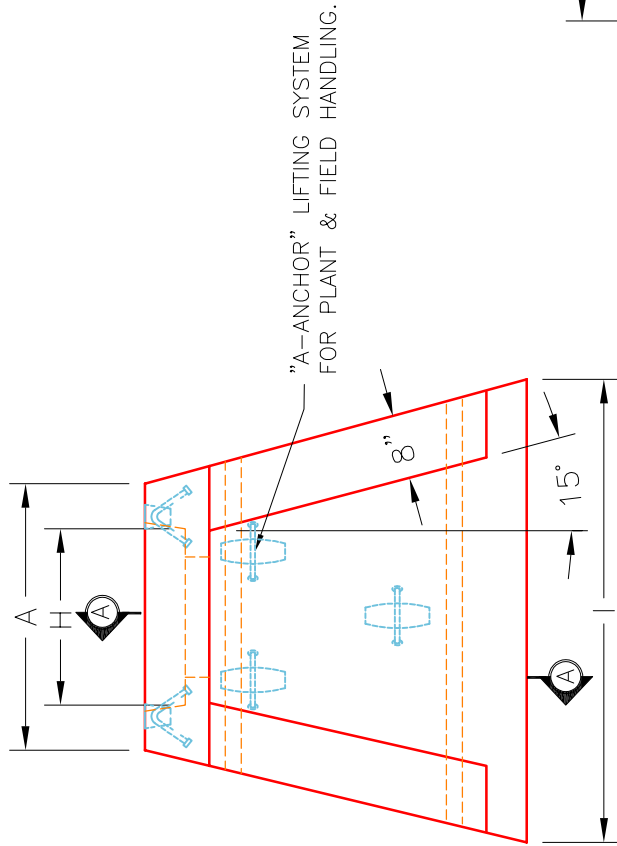
**P1 HWSF15**

**15" - SLOPED & FLARED HEADWALL**

DIMENSIONS										
PIPE Ø	A	B	C	D	E	F	G	H	I	WEIGHT
15"	2'-9"	3'-6"	2'-0"	1'-6"	4'-0"	3"	2 <sup>3</sup> / <sub>8</sub> "	2'-0"	4'-9"	3,161 LBS.



**ISOMETRIC VIEW**  
15"Ø HEADWALL



- NOTES:**
1. CONCRETE: 4500 PSI @ 28 DAYS.
  2. REINFORCING: #4 BAR @ 12" C/C E.W.-GRADE 60, (WITH 2" CONCRETE COVER MINIMUM)
  3. REINFORCING BARS TO BE TACK WELDED OR TIED.
  4. DRAWING TO BE USED IN CONJUNCTION WITH KYTC STD. DRAWING RDH-020-03 AND THE STANDARD SPECIFICATIONS FOR ROAD AND BRIDGE CONSTRUCTION.
  5. 3/4" CHAMFER ON ALL EXPOSED EDGES.