

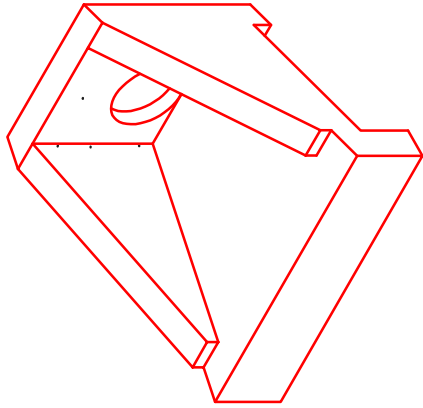


Structure ID: HW-18

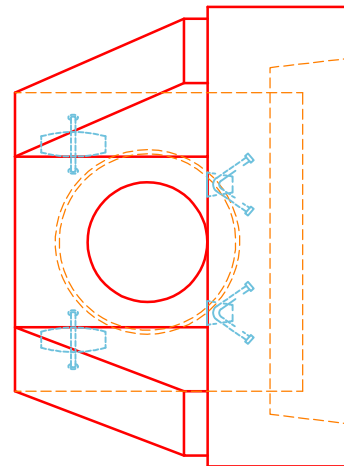
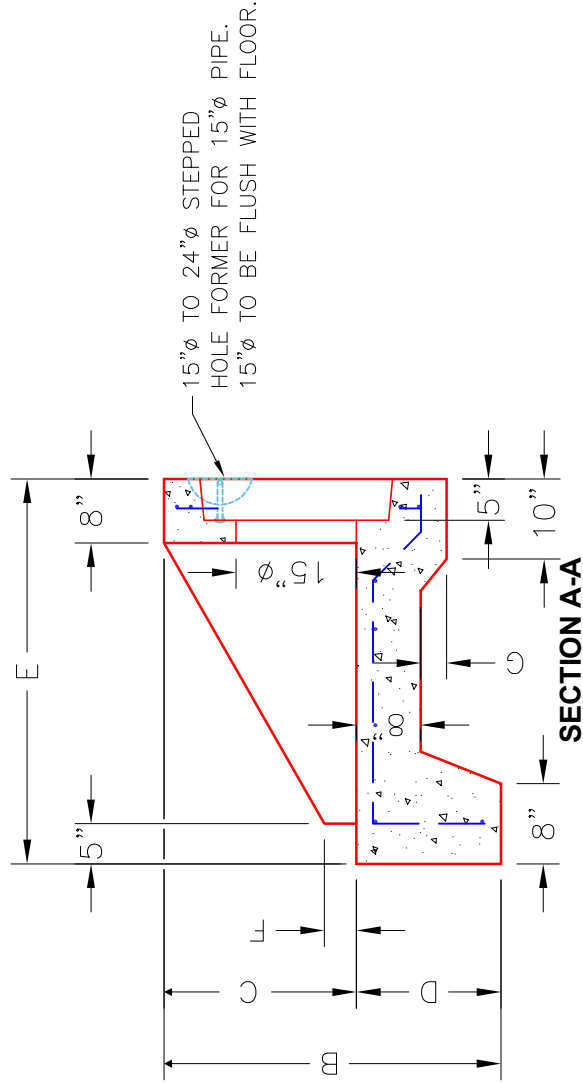
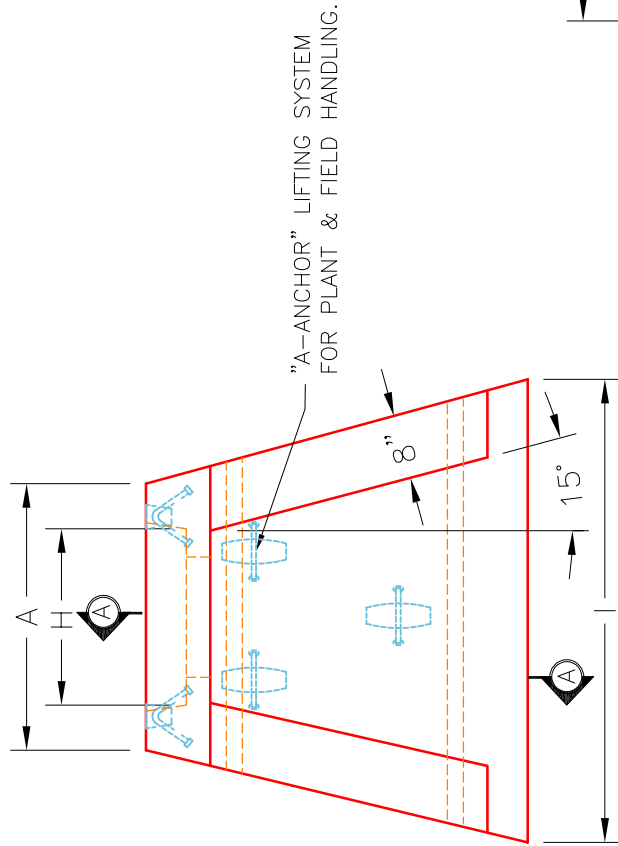
P1 HWSF15

15" - SLOPED & FLARED HEADWALL

| DIMENSIONS | | | | | | | | | | |
|------------|-------|-------|-------|-------|-------|----|---------------------------------|-------|-------|------------|
| PIPE Ø | A | B | C | D | E | F | G | H | I | WEIGHT |
| 15" | 2'-9" | 3'-6" | 2'-0" | 1'-6" | 4'-0" | 3" | 2 ³ / ₈ " | 2'-0" | 4'-9" | 3,161 LBS. |



ISOMETRIC VIEW
15"Ø HEADWALL



- NOTES:**
1. CONCRETE: 4500 PSI @ 28 DAYS.
 2. REINFORCING: #4 BAR @ 12" C/C E.W.-GRADE 60, (WITH 2" CONCRETE COVER MINIMUM)
 3. REINFORCING BARS TO BE TACK WELDED OR TIED.
 4. DRAWING TO BE USED IN CONJUNCTION WITH KYTC STD. DRAWING RDH-020-03 AND THE STANDARD SPECIFICATIONS FOR ROAD AND BRIDGE CONSTRUCTION.
 5. 3/4" CHAMFER ON ALL EXPOSED EDGES.