

Job Name: 25-3101 - WF Clari Park
Job Location: Murfreesboro, TN
Contractor: Hayes Pipe Supply

PC: E. Bradley
 TECH: Jared - F
 Plant: 100



Structure ID: **A6**
 Spec: TDOT
 Type: CB TYPE 10RA
 Size: 48"

Rim: 592.29'
 Invert: 587.06'
 Rim to Invert: 5.23'

Sump: 2.25"
 Floor (Top): 586.873'
 Floor Height: 6"

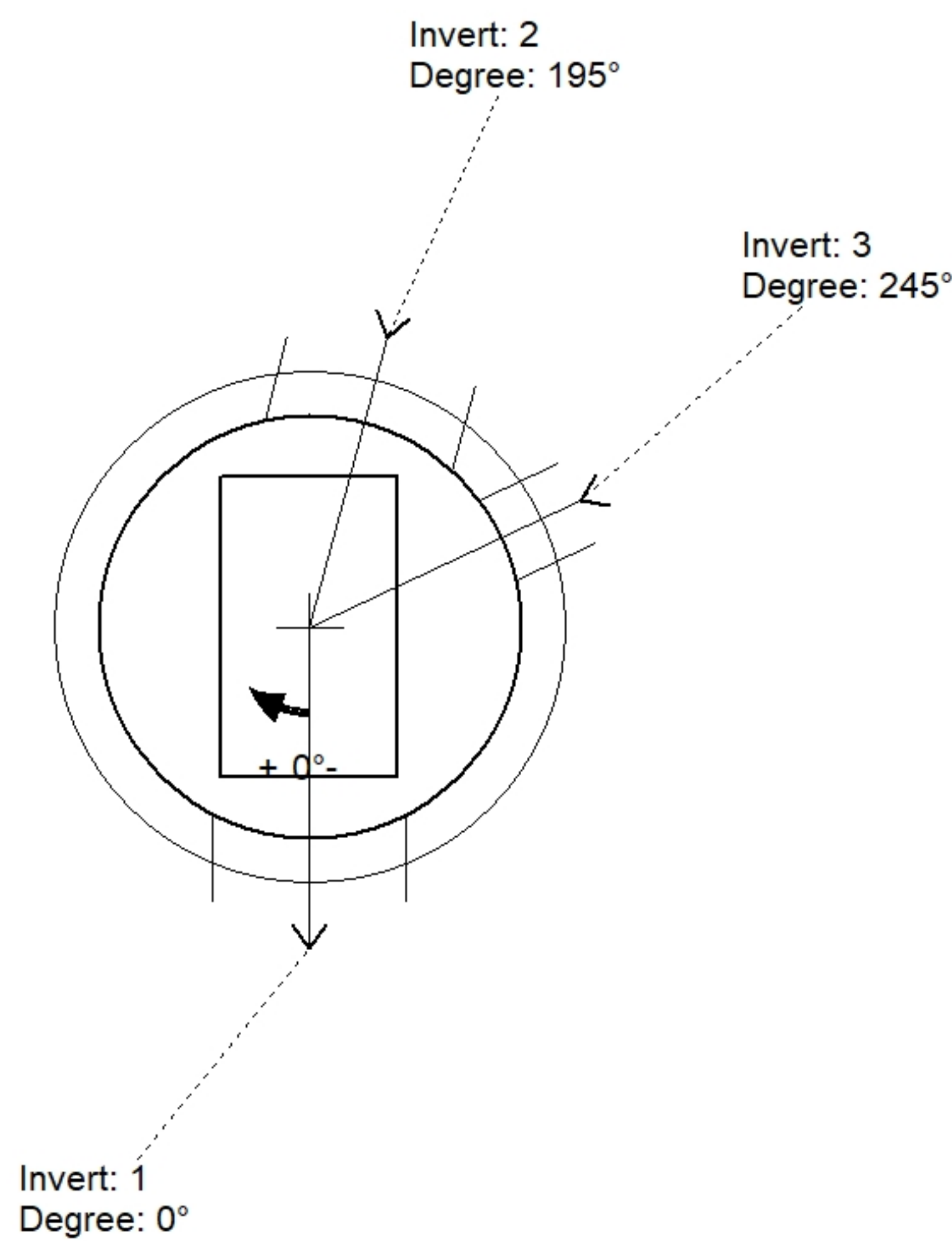
Floor (Bot): 586.373'
 Overall Height: 5.917'
 Slack: 0.01"

Structure Notes:
 1. PER TDOT D-CB-10RA / ASTM C478 SPEC'S.
 2. CONCRETE = 4,000 PSI AT 28 DAYS.
 3. CASTING BY OTHERS (JBS 3123 MODIFIED SET).

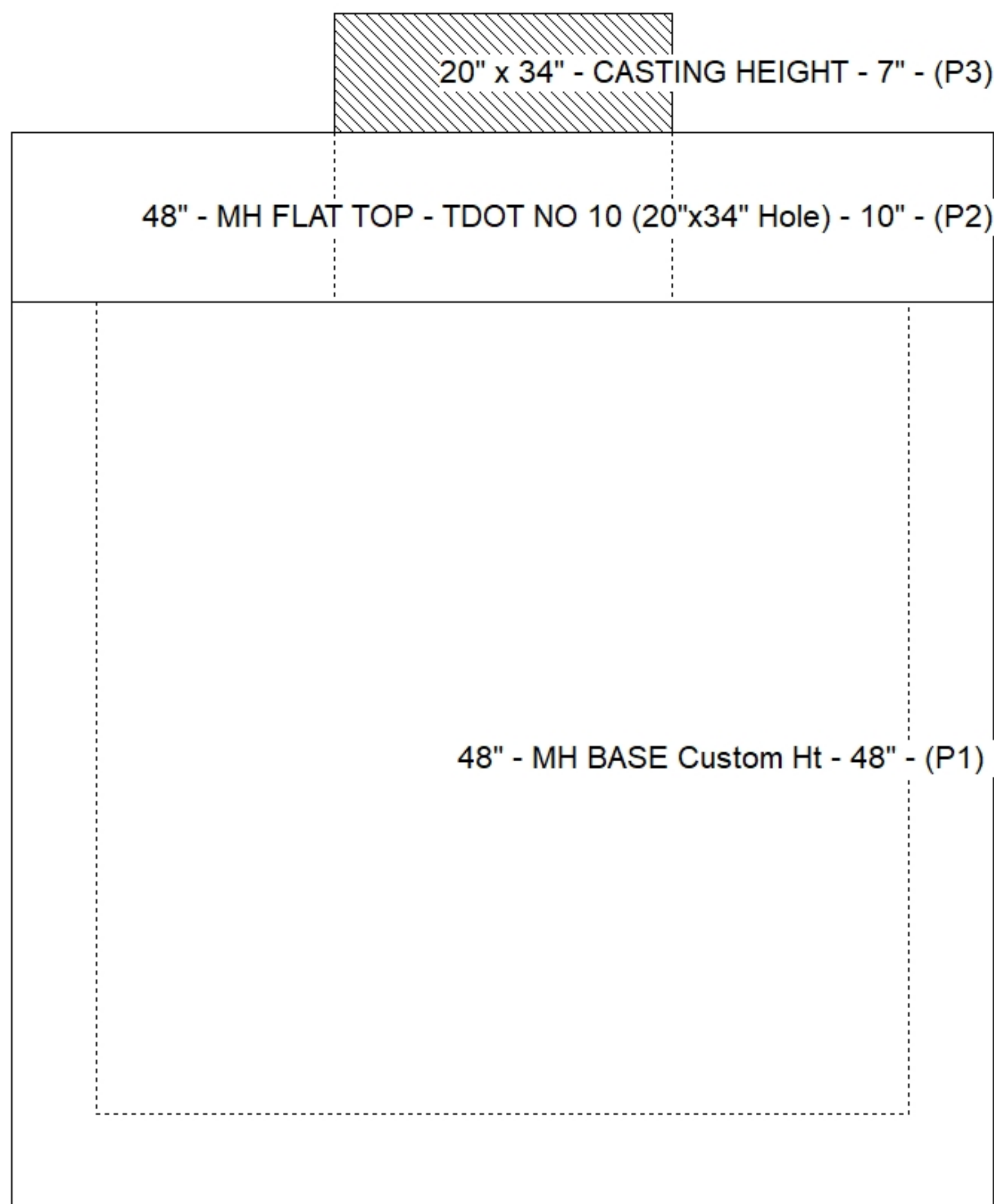
REINFORCING PER ASTM A615 (GRADE 60).
 ** PER TDOT STD DRAWING D-CB-10RA **
 - TOP SLAB - DBL MAT #5 BARS.
 - RISER (As .24)
 - FLOOR (As .62) #5 BARS AT 6" C.C.E.W.

STRUCTURE SUMMARY:

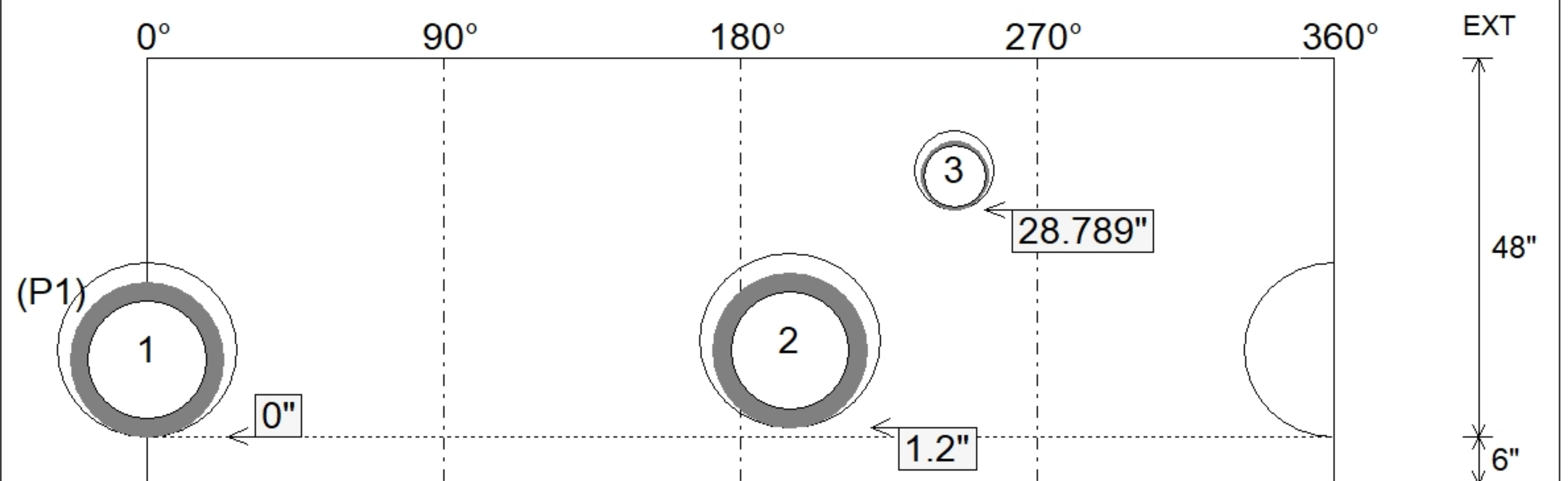
P3) 20" x 34" - CASTING HEIGHT - 7"	0 lb
P2) 48" - MH FLAT TOP - TDOT NO 10 (20"x34" Hole) - 10"	1646 lb
P1) 48" - MH BASE Custom Ht - 48"	4321 lb
1) 48" - Conseal CS-102 1.00"	0 lb
2) Hole - 22	0 lb
1) Hole - 10	0 lb
Structure Total:	5967 lb



Position	Elev	Angle	Pipe	Pipe OD	Hole	Connector	Up (")	Ref
Rim	592.29'							
Reducer								
Invert 1	587.06'	0°	15" RCP B WALL	19.5"	22"	Hole 22	0"	P1
Invert 2	587.16'	195°	15" RCP B WALL	19.5"	22"	Hole 22	1.2"	P1
Invert 3	589.3'	245°	8" PVC SCH40	8.625"	10"	Hole 10	28.789"	P1
Invert 4								
Invert 5								
Invert 6								
Invert 7								
Invert 8								



Default - Interior Dimensions



Submittal Drawing
 4/20/2026 9:09:31 AM

SUBMITTAL
 APPROVED BY: