

Job Name: 25-3101 - WF Clari Park
Job Location: Murfreesboro, TN
Contractor: Hayes Pipe Supply

PC: E. Bradley
 TECH: Jared - F
 Plant: 100



Structure ID: **A2**
 Spec: TDOT
 Type: CB TYPE 10RA
 Size: 48"

Rim: 591.48'
 Invert: 584.82'
 Rim to Invert: 6.66'

Sump: 2.25"
 Floor (Top): 584.633'
 Floor Height: 6"

Floor (Bot): 584.133'
 Overall Height: 7.333'
 Slack: 0.17"

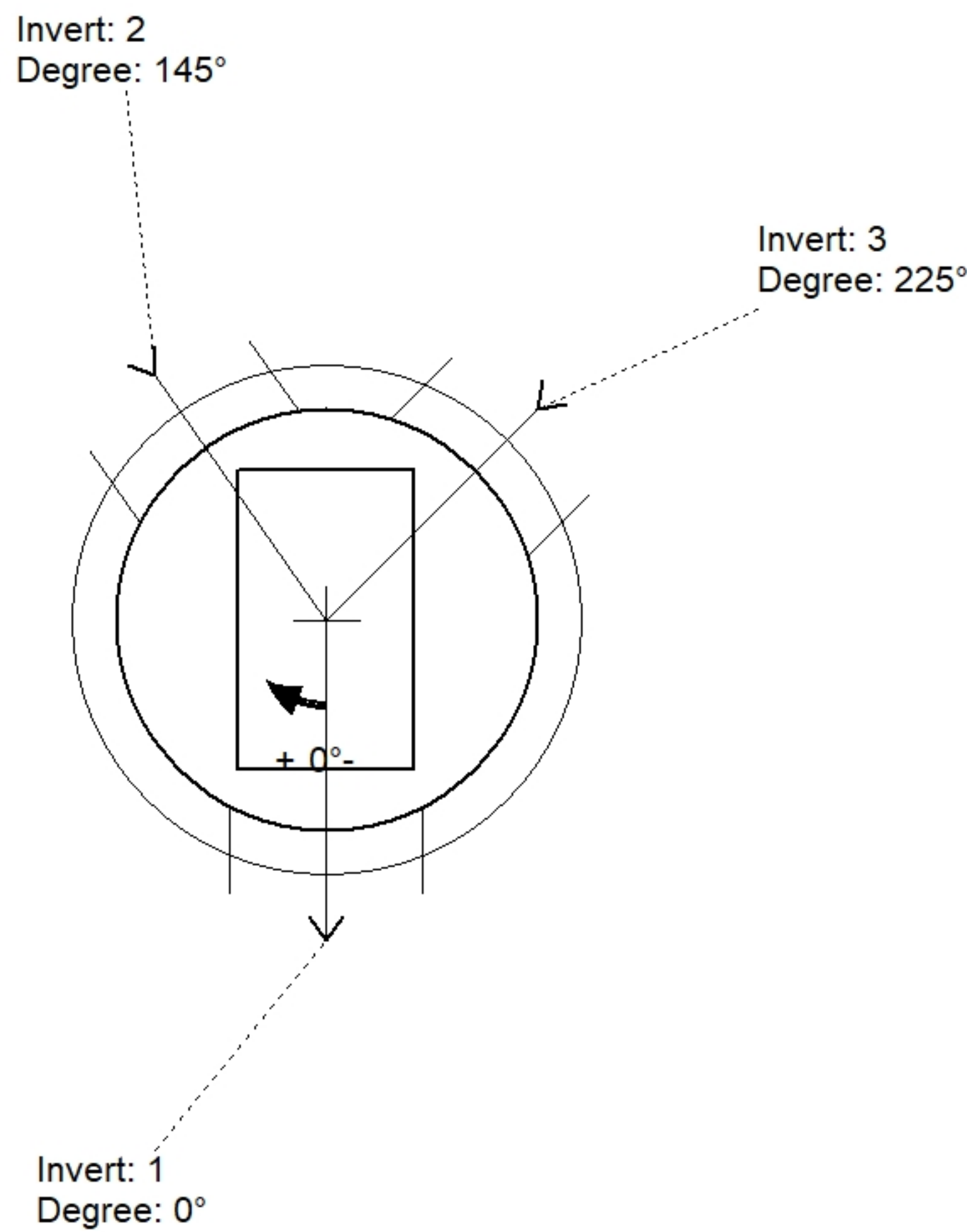
Structure Notes:

- PER TDOT D-CB-10RA / ASTM C478 SPEC'S.
 - CONCRETE = 4,000 PSI AT 28 DAYS.
 - CASTING BY OTHERS (JBS 3123 MODIFIED SET).
- REINFORCING PER ASTM A615 (GRADE 60).
 ** PER TDOT STD DRAWING D-CB-10RA **
 - TOP SLAB - DBL MAT #5 BARS.
 - RISER (As .24)
 - FLOOR (As .62) #5 BARS AT 6" C.C.E.W.

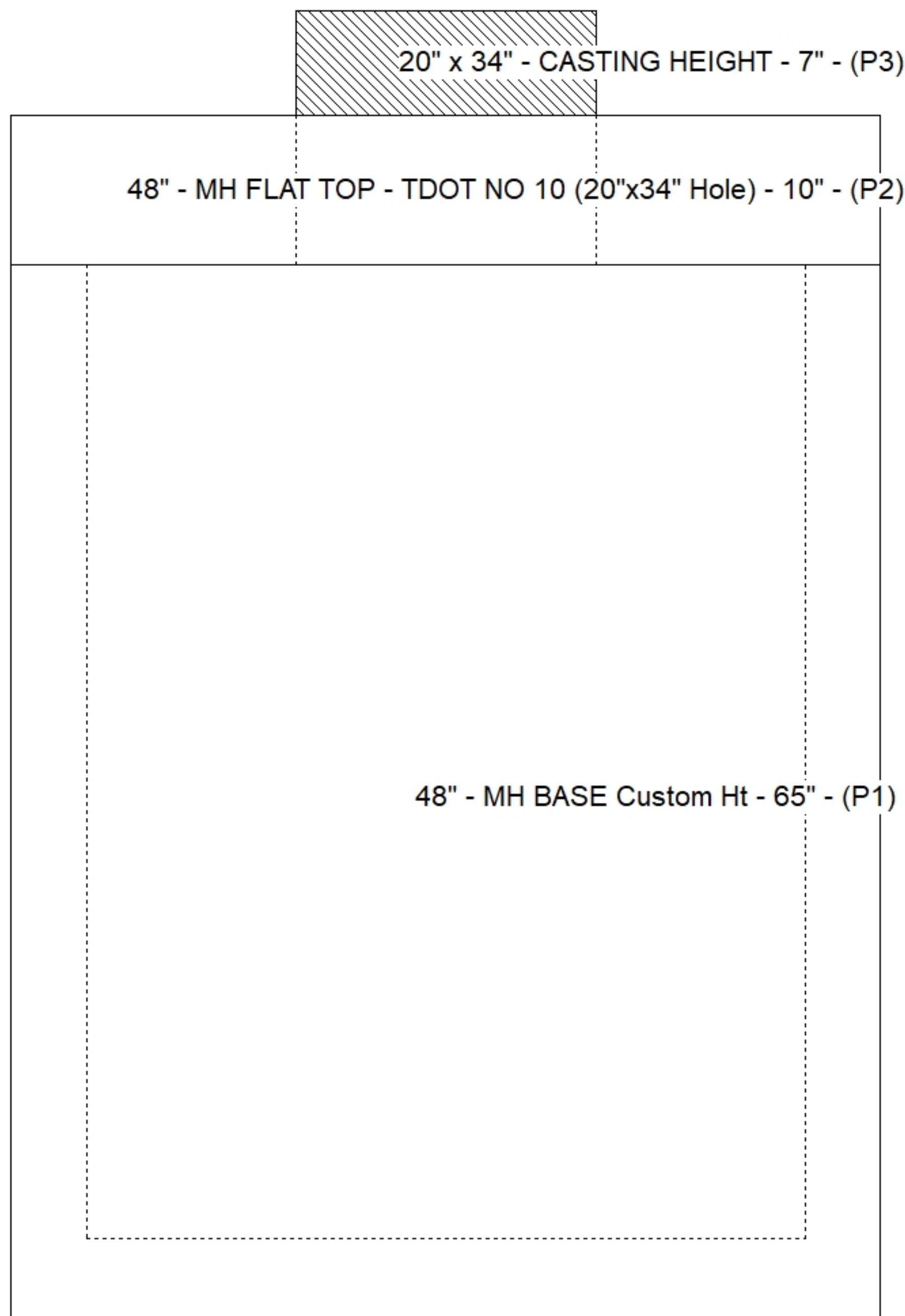
STRUCTURE SUMMARY:

P3) 20" x 34" - CASTING HEIGHT - 7"	0 lb
P2) 48" - MH FLAT TOP - TDOT NO 10 (20"x34" Hole) - 10"	1646 lb
P1) 48" - MH BASE Custom Ht - 65"	5377 lb
1) 48" - Conseal CS-102 1.00"	0 lb
3) Hole - 22	0 lb

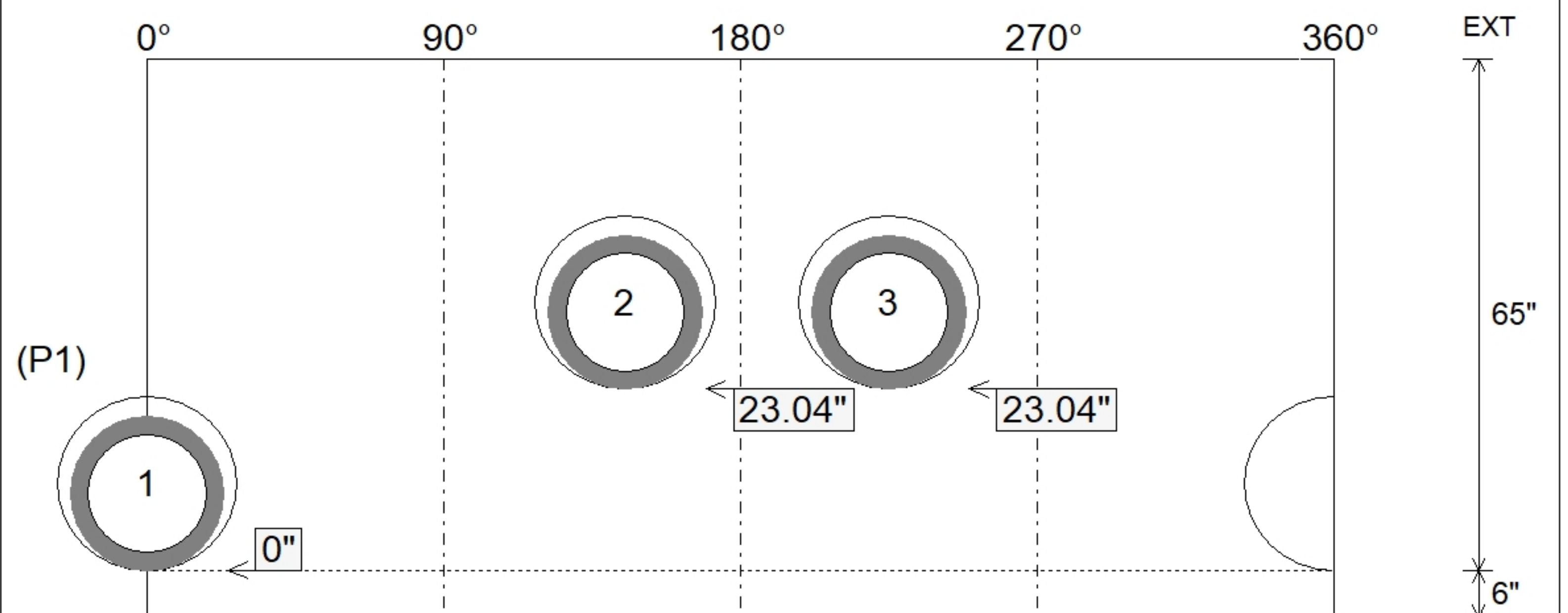
Structure Total:	7024 lb



Position	Elev	Angle	Pipe	Pipe OD	Hole	Connector	Up (")	Ref
Rim	591.48'							
Reducer								
Invert 1	584.82'	0°	15" RCP B WALL	19.5"	22"	Hole 22	0"	P1
Invert 2	586.74'	145°	15" RCP B WALL	19.5"	22"	Hole 22	23.04"	P1
Invert 3	586.74'	225°	15" RCP B WALL	19.5"	22"	Hole 22	23.04"	P1
Invert 4								
Invert 5								
Invert 6								
Invert 7								
Invert 8								



Default - Interior Dimensions



Submittal Drawing
 4/20/2026 9:09:30 AM

SUBMITTAL
 APPROVED BY: