

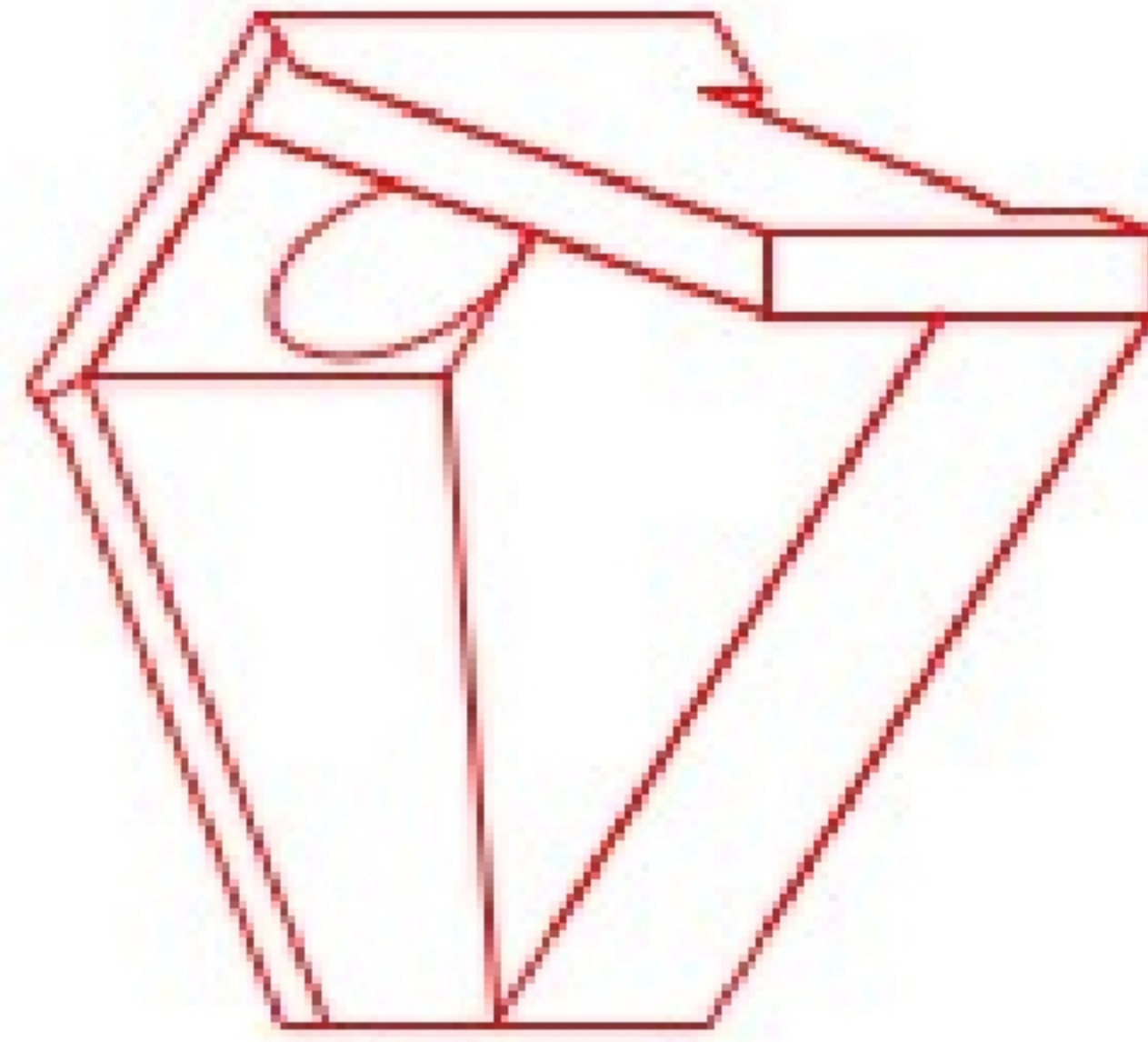


**Structure ID: ICAST LI3 3**

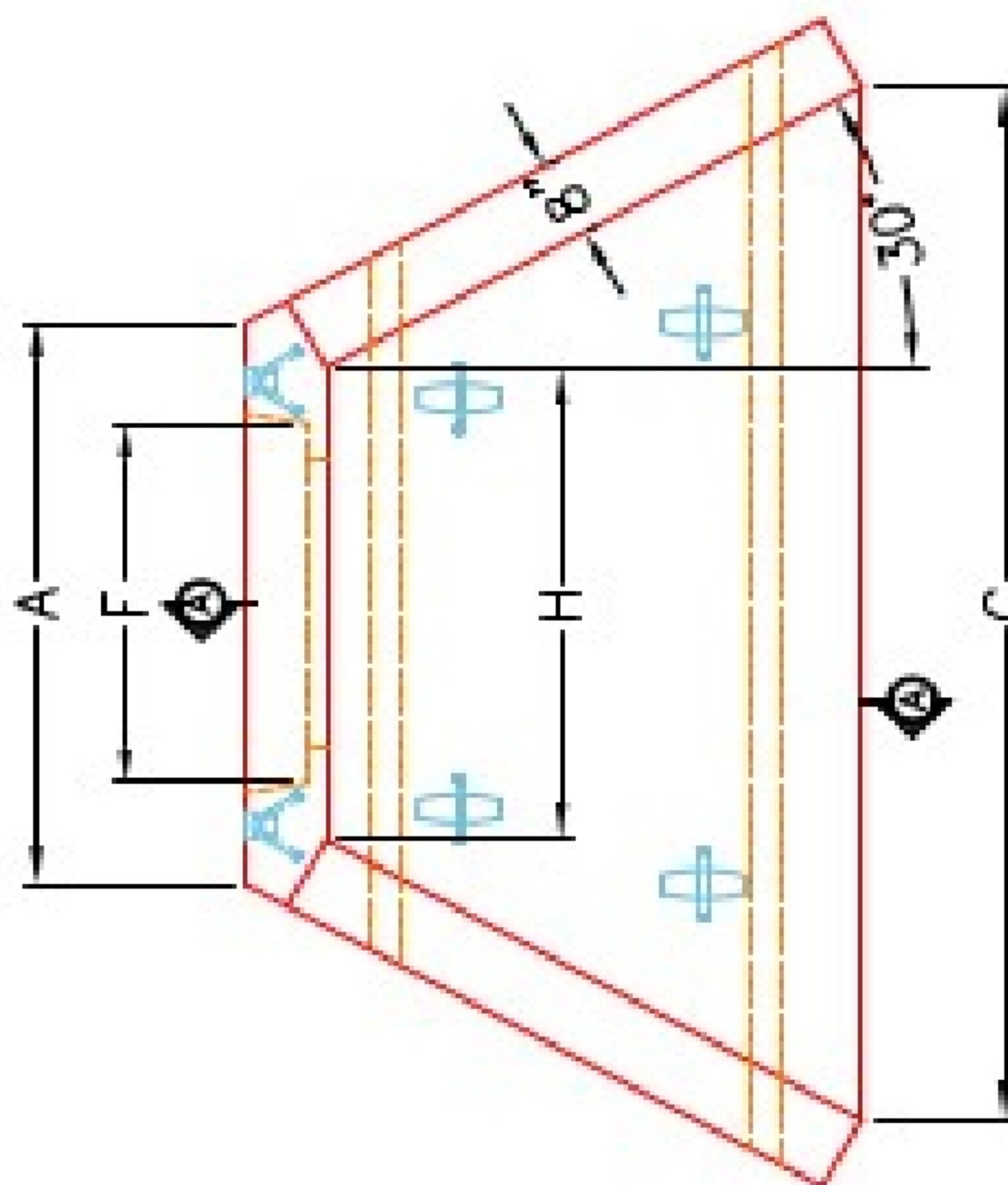
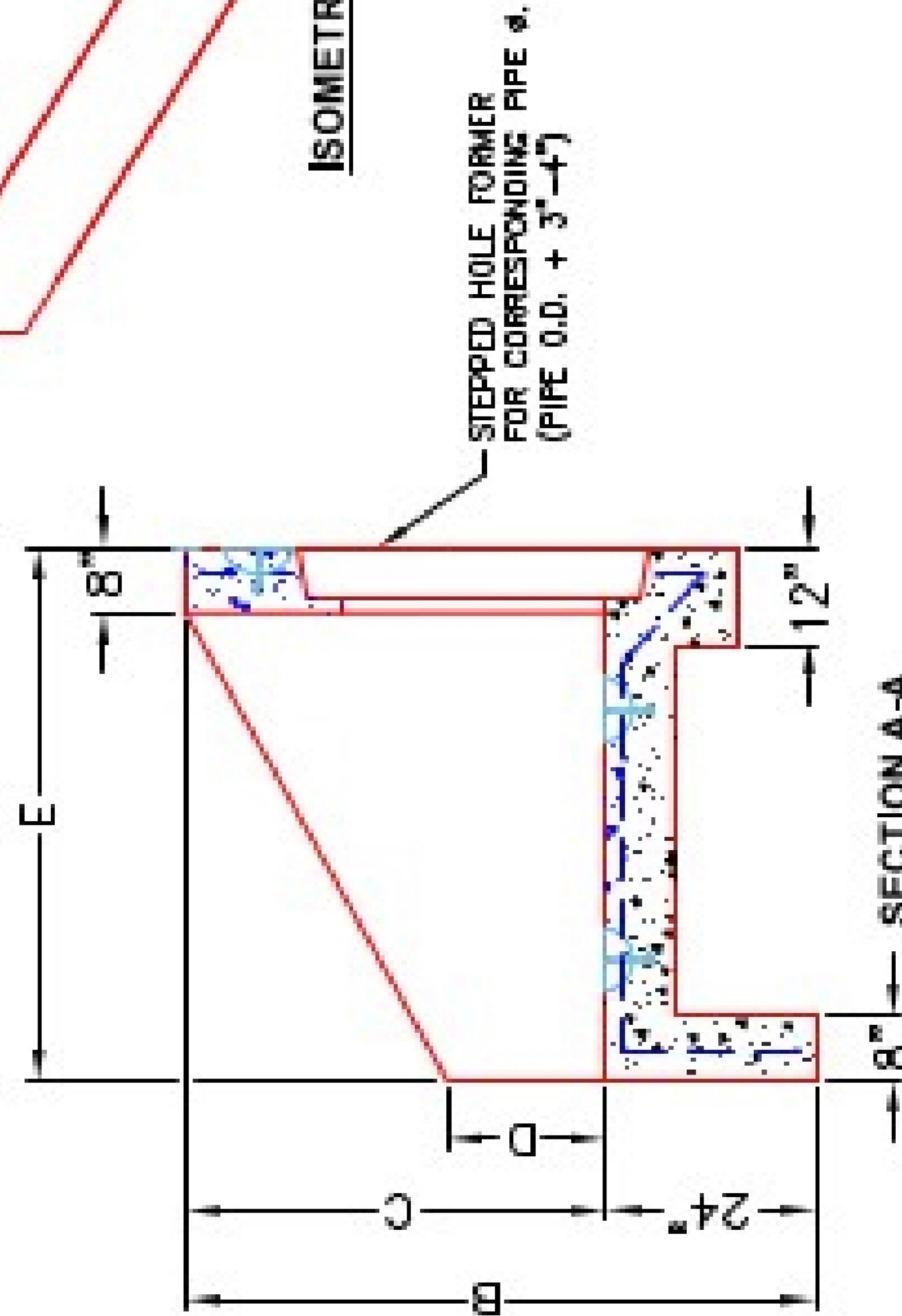
**P1 HWPC30**

**30" - PIPE CULVERT HEADWALL F/F**

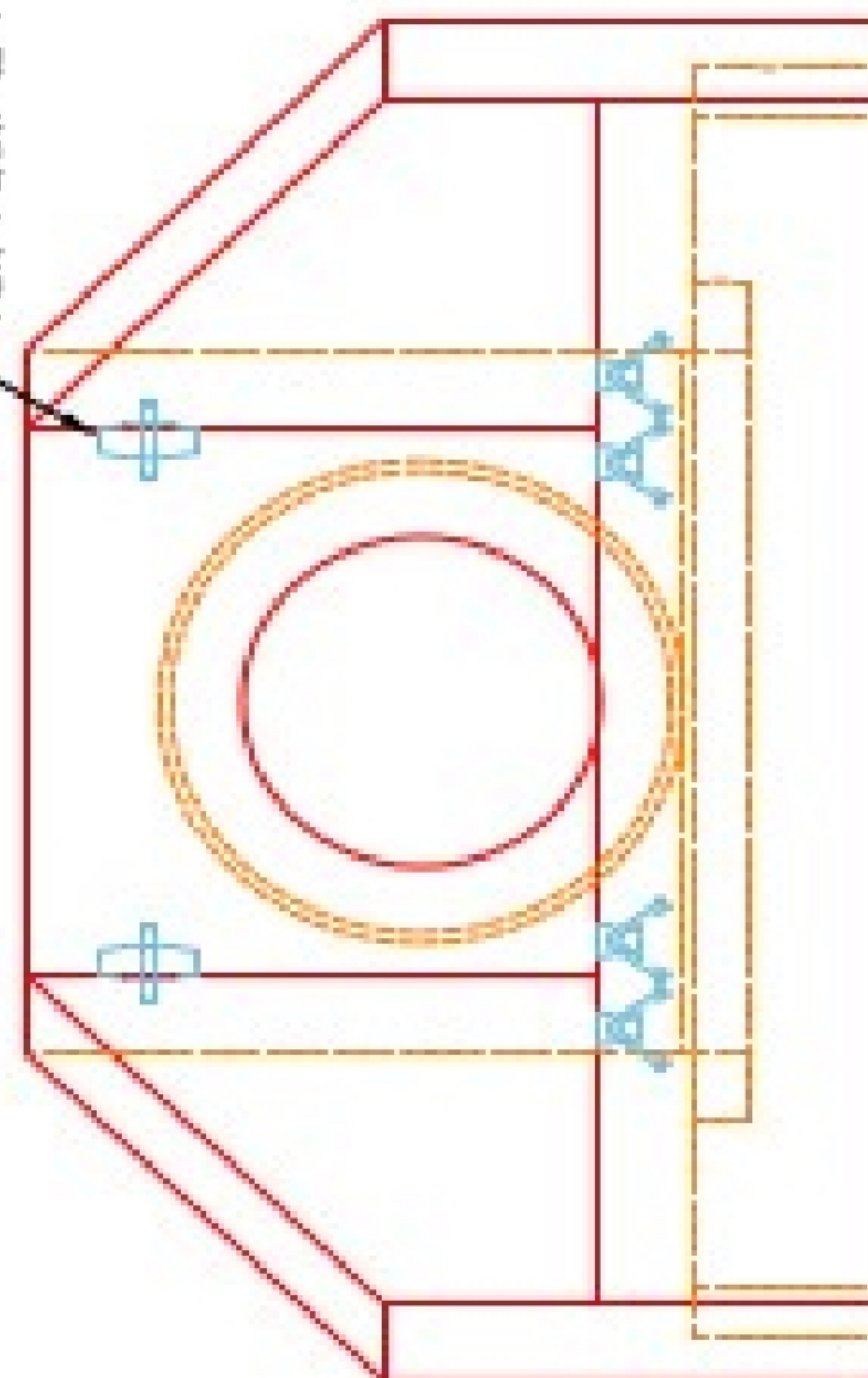
| DIMENSIONS |       |       |       |       |       |       |        |       |             |
|------------|-------|-------|-------|-------|-------|-------|--------|-------|-------------|
| PIPE #     | A     | B     | C     | D     | E     | F     | G      | H     | WEIGHT      |
| 30"        | 6'-0" | 6'-0" | 6'-0" | 1'-0" | 5'-0" | 3'-0" | 11'-0" | 3'-0" | 6,800 lbs.  |
| 36"        | 6'-0" | 6'-0" | 6'-0" | 1'-0" | 5'-0" | 3'-0" | 11'-0" | 3'-0" | 6,800 lbs.  |
| 42"        | 6'-0" | 6'-0" | 5'-0" | 2'-0" | 6'-0" | 4'-0" | 11'-0" | 4'-0" | 13,200 lbs. |
| 48"        | 6'-0" | 6'-0" | 5'-0" | 2'-0" | 6'-0" | 5'-0" | 11'-0" | 4'-0" | 13,200 lbs. |
| 54"        | 7'-0" | 7'-0" | 6'-0" | 2'-0" | 7'-0" | 5'-0" | 10'-0" | 6'-0" | 18,400 lbs. |
| 60"        | 7'-0" | 7'-0" | 6'-0" | 2'-0" | 7'-0" | 6'-0" | 10'-0" | 6'-0" | 18,400 lbs. |



ISOMETRIC VIEW



"A-ANCHOR" LIFTING SYSTEM FOR PLANT & FIELD HANDLING.



**NOTES:**

1. CONCRETE: KYTC APPROVED.
2. REINFORCING: #5 BAR @ 12" C/C E.W.-GRADE 60, (WITH 2" CONCRETE COVER MINIMUM)
3. REINFORCING BARS TO BE TACK WELDED OR TIED.
4. PIPE AND LIFTING ANCHOR POCKETS TO BE GROUTED WITH KYTC APPROVED NON-SHRINK GROUT.
5. DRAWING TO BE USED IN CONJUNCTION WITH KYTC STD. DRAWING RDH-110-02, RDH-210-03 AND THE STANDARD SPECIFICATIONS FOR ROAD AND BRIDGE CONSTRUCTION.
6. 3/4" CHAMFER ON ALL EXPOSED EDGES.
7. PREFORMED STEPPED HOLE SIZED AS PER O.D. OF PIPE + 3" - 4".

APPROVED FOR DESIGN ONLY

APPROVED  
 AS PER SPECIFICATION 18.02  
 KYTC DIV. OF CONSTRUCTION  
 DATE: 1/20/2021 9:50 am  
 INSTRUCTION



INFRASTRUCTURE PRECAST, INC.  
 601 WINDY HILL ST., BEAVER DAM, KY, 40009  
 PHONE: (502) 338-2222, FAX: (502) 338-7404

KYTC 30"-60" PIPE CULVERT HEADWALL

DRAWING NO.: ITC PC-181 DATE: 12-14-20  
 DESIGNED BY: J.H. ROSS, PE DRAWN BY: H. ROYAL  
 WEB: WWW.ICAST.COM SCALE: NPS