

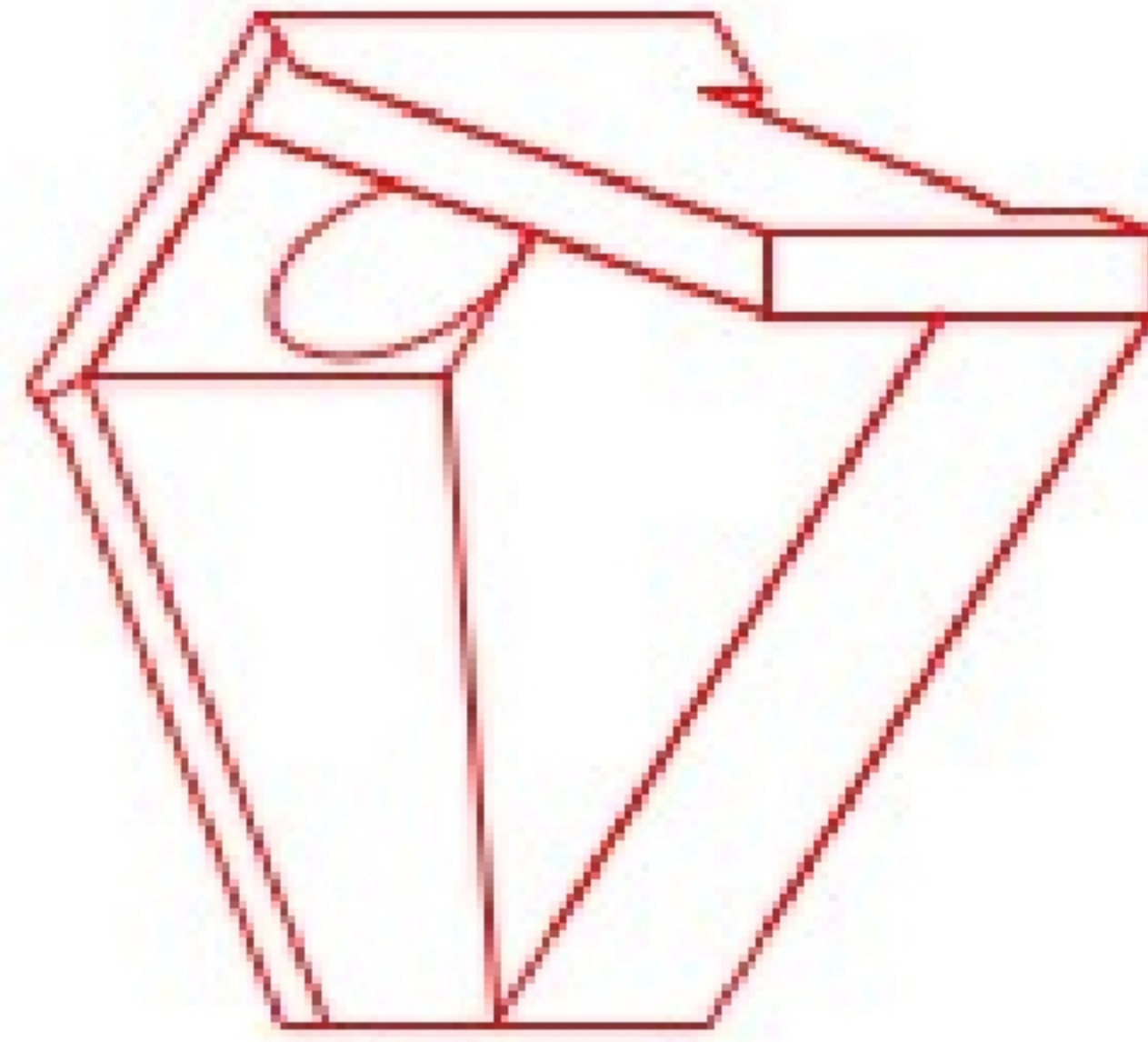


Structure ID: ICAST LI3 1

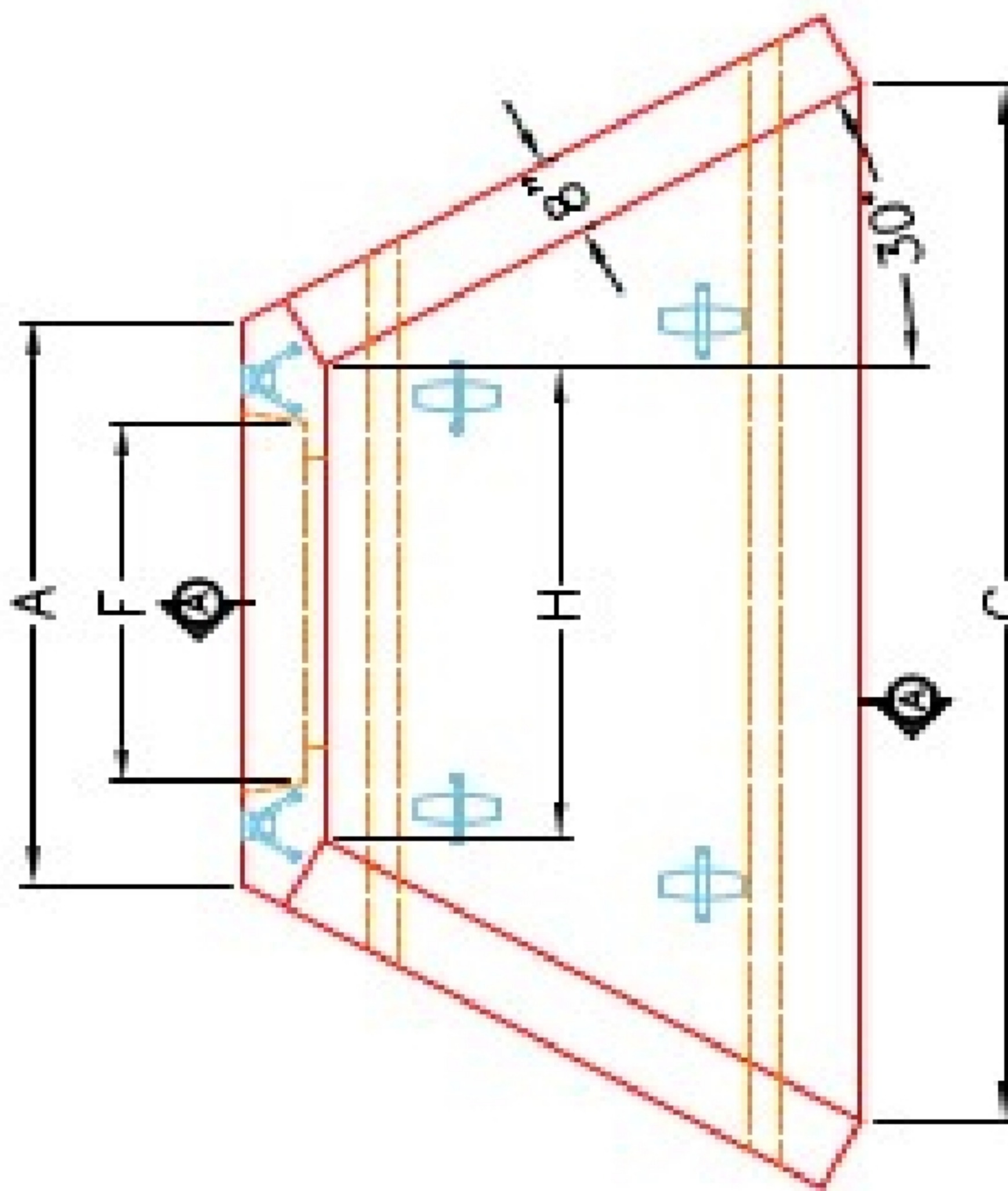
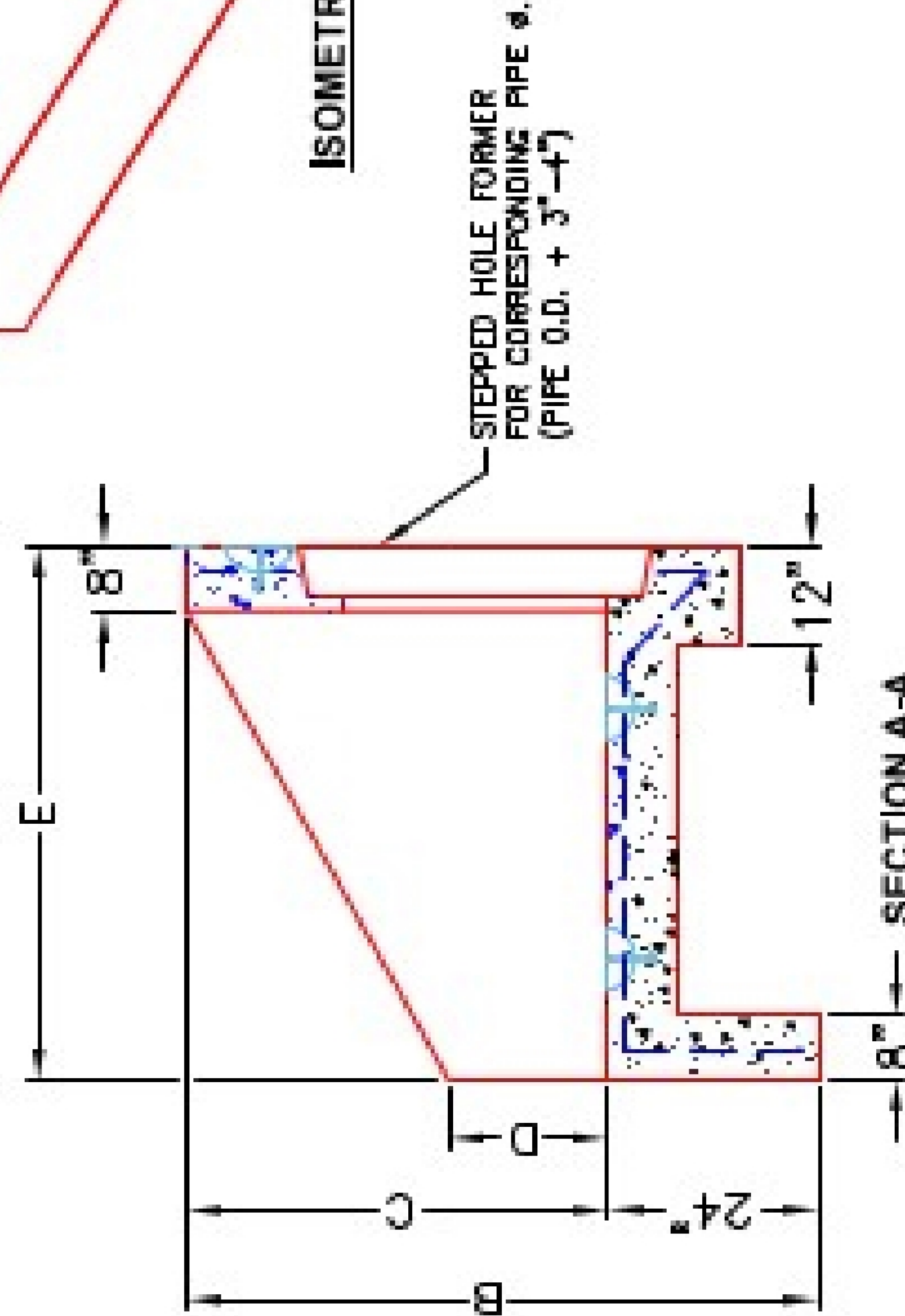
P1 HWPC30

30" - PIPE CULVERT HEADWALL F/F

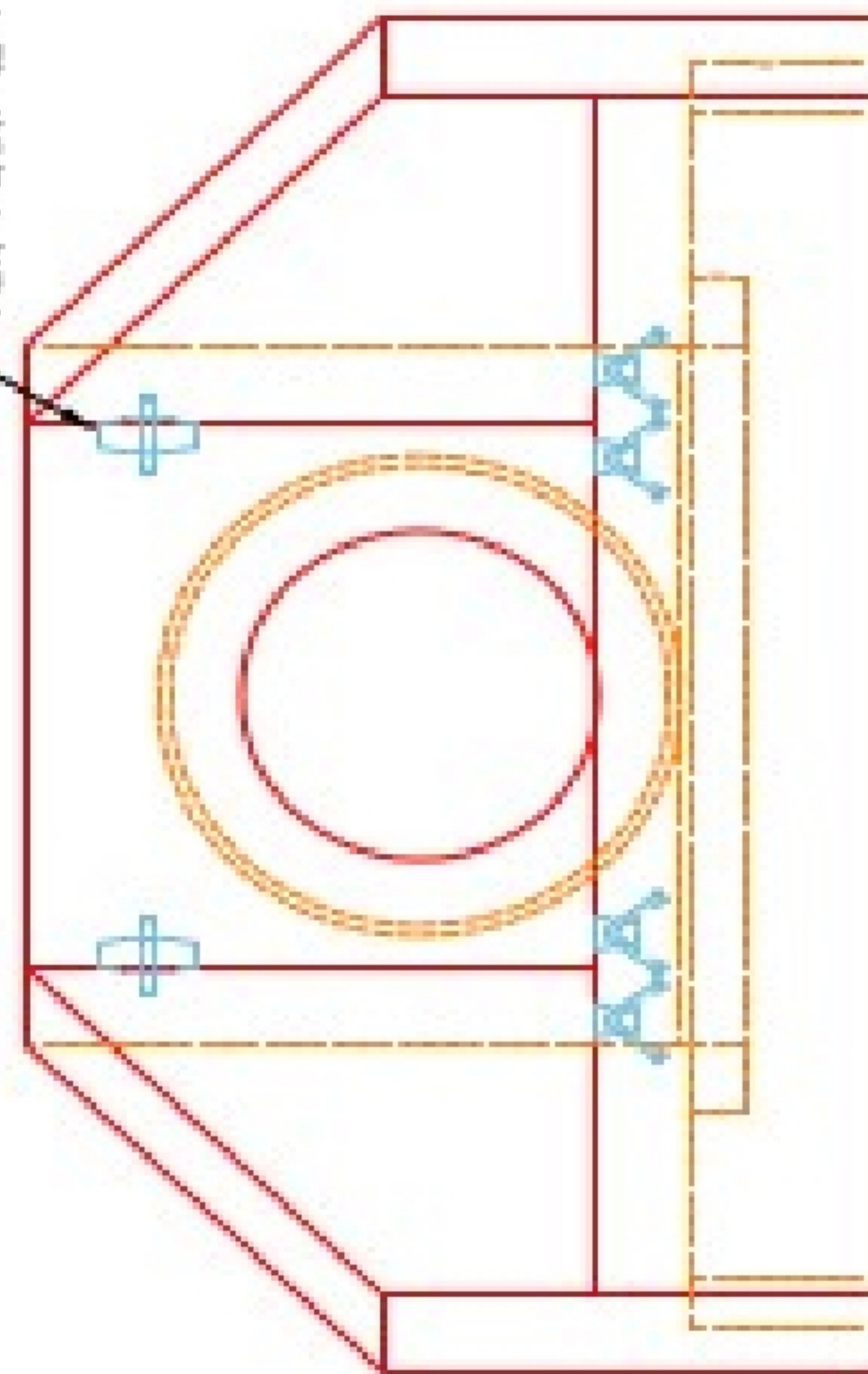
| DIMENSIONS | | | | | | | | | |
|------------|-------|-------|-------|-------|-------|-------|-------|-------|-------------|
| PRE # | A | B | C | D | E | F | G | H | WEIGHT |
| 30" | 6'-0" | 6'-0" | 6'-0" | 1'-0" | 5'-0" | 3'-0" | 1'-0" | 3'-0" | 6,800 lbs. |
| 36" | 6'-0" | 6'-0" | 6'-0" | 1'-0" | 5'-0" | 4'-0" | 1'-0" | 3'-0" | 6,800 lbs. |
| 42" | 6'-0" | 6'-0" | 5'-0" | 2'-0" | 6'-0" | 4'-0" | 1'-0" | 4'-0" | 13,200 lbs. |
| 48" | 6'-0" | 6'-0" | 5'-0" | 2'-0" | 6'-0" | 5'-0" | 1'-0" | 4'-0" | 13,200 lbs. |
| 54" | 7'-0" | 7'-0" | 6'-0" | 2'-0" | 7'-0" | 5'-0" | 0'-0" | 6'-0" | 18,422 lbs. |
| 60" | 7'-0" | 7'-0" | 6'-0" | 2'-0" | 7'-0" | 6'-0" | 0'-0" | 6'-0" | 18,422 lbs. |



ISOMETRIC VIEW



"A-ANCHOR" LIFTING SYSTEM FOR PLANT & FIELD HANDLING.



NOTES:

1. CONCRETE: KYTC APPROVED.
2. REINFORCING: #5 BAR @ 12" C/C E.W.-GRADE 60, (WITH 2" CONCRETE COVER MINIMUM)
3. REINFORCING BARS TO BE TACK WELDED OR TIED.
4. PIPE AND LIFTING ANCHOR POCKETS TO BE GROUTED WITH KYTC APPROVED NON-SHRINK GROUT.
5. DRAWING TO BE USED IN CONJUNCTION WITH KYTC STD. DRAWING RDH-110-02, RDH-210-03 AND THE STANDARD SPECIFICATIONS FOR ROAD AND BRIDGE CONSTRUCTION.
6. 3/4" CHAMFER ON ALL EXPOSED EDGES.
7. PREFORMED STEPPED HOLE SIZED AS PER O.D. OF PIPE + 3" - 4".

APPROVED FOR DESIGN ONLY

APPROVED
 AS PER SPECIFICATION 18.02
 KYTC DIV. OF CONSTRUCTION
 DATE: 1/20/2021 9:50 am
 INSTRUCTION



INFRASTRUCTURE PRECAST, INC.
 601 WINDY HILL ST., BEAVER DAM, KY, 40009
 PHONE: (502) 338-2222, FAX: (502) 338-7404

KYTC 30"-60" PIPE CULVERT HEADWALL

DRAWING NO.: ITC PC-181 DATE: 12-14-20
 DESIGNED BY: J.H. ROSS, PE DRAWN BY: H. ROYAL
 WEB: WWW.ICAST.COM SCALE: NPS