

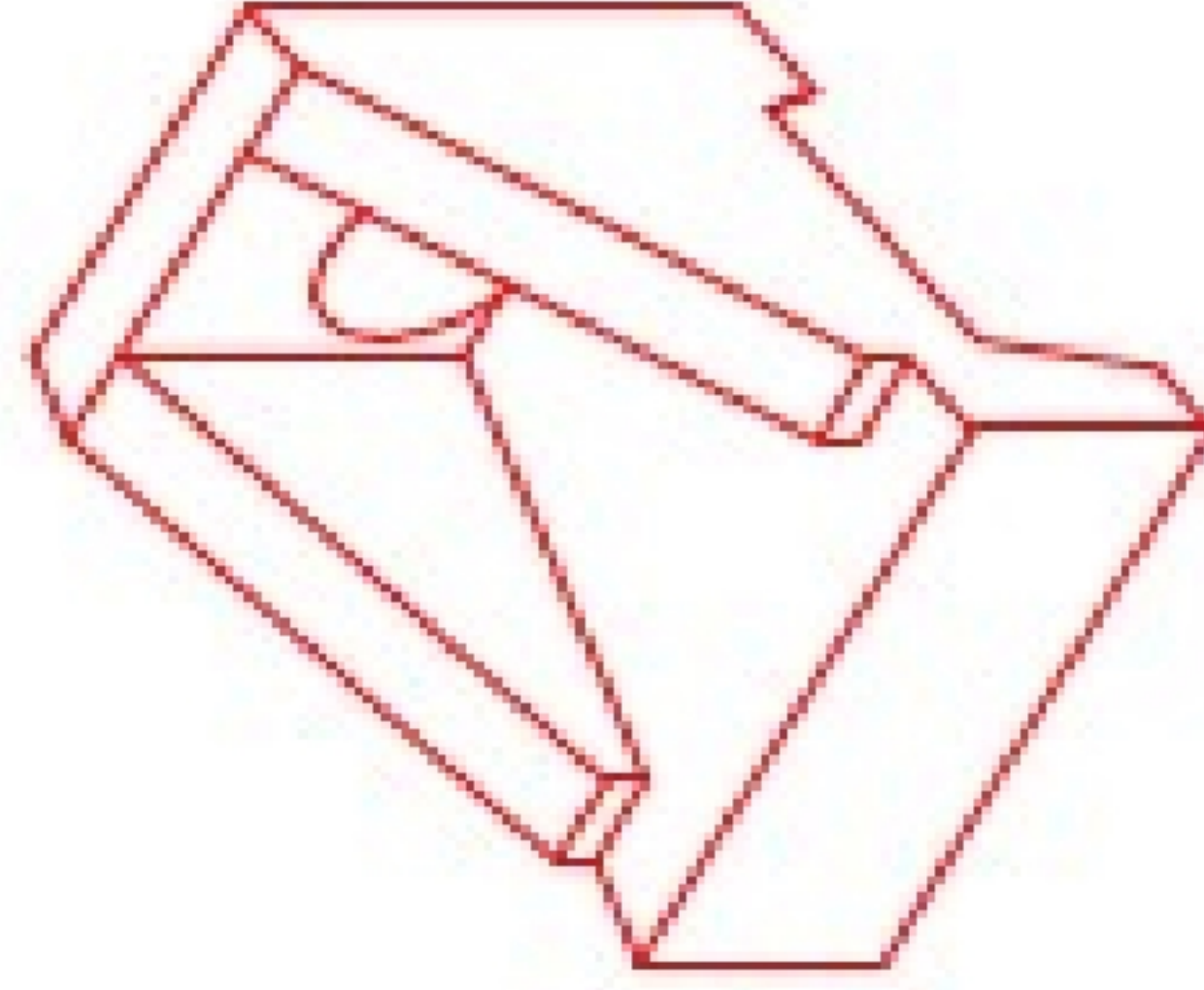


Structure ID: ICAST LI2 5

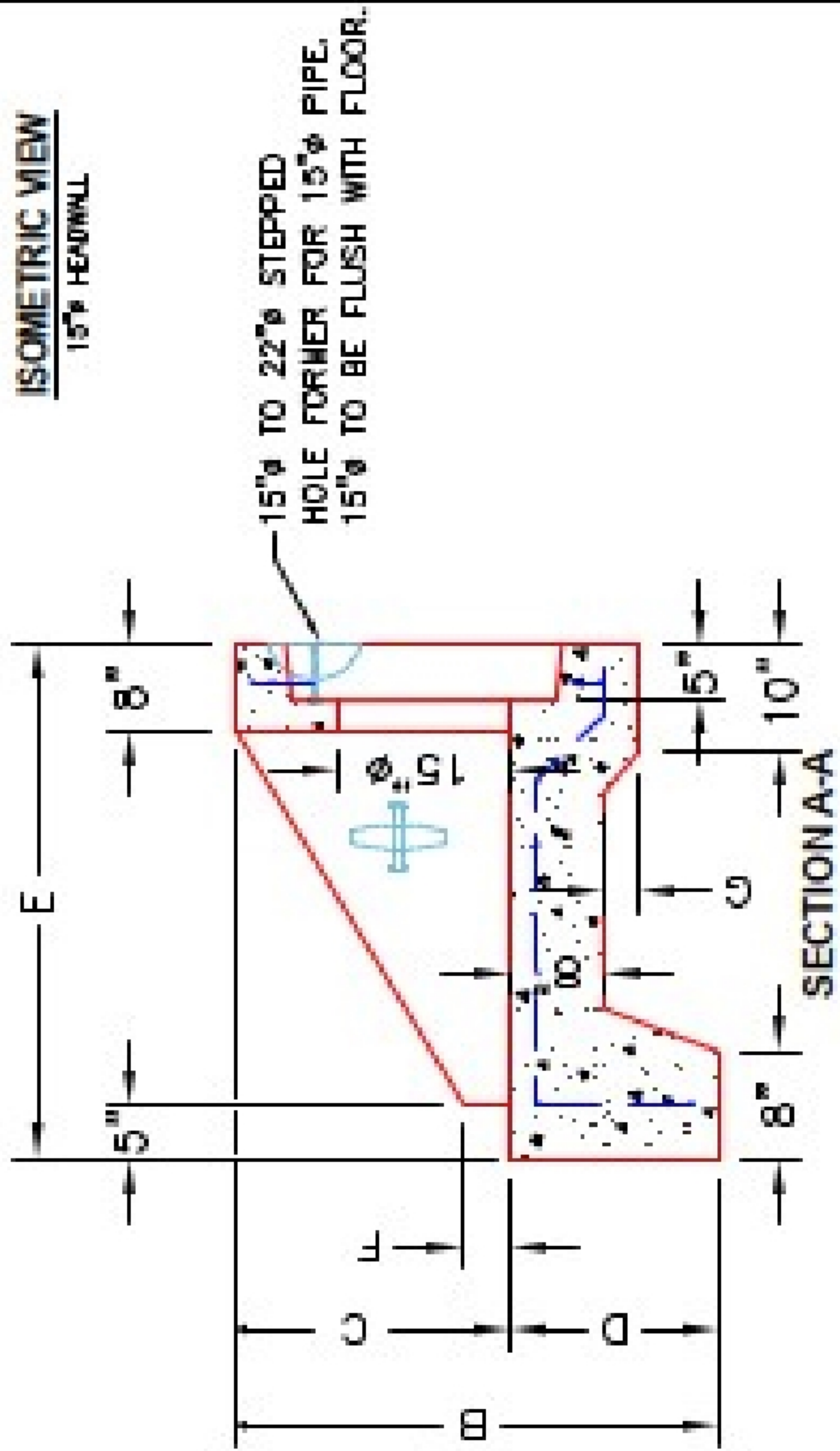
P1 HWSF15

15" - SLOPED & FLARED HEADWALL F/F

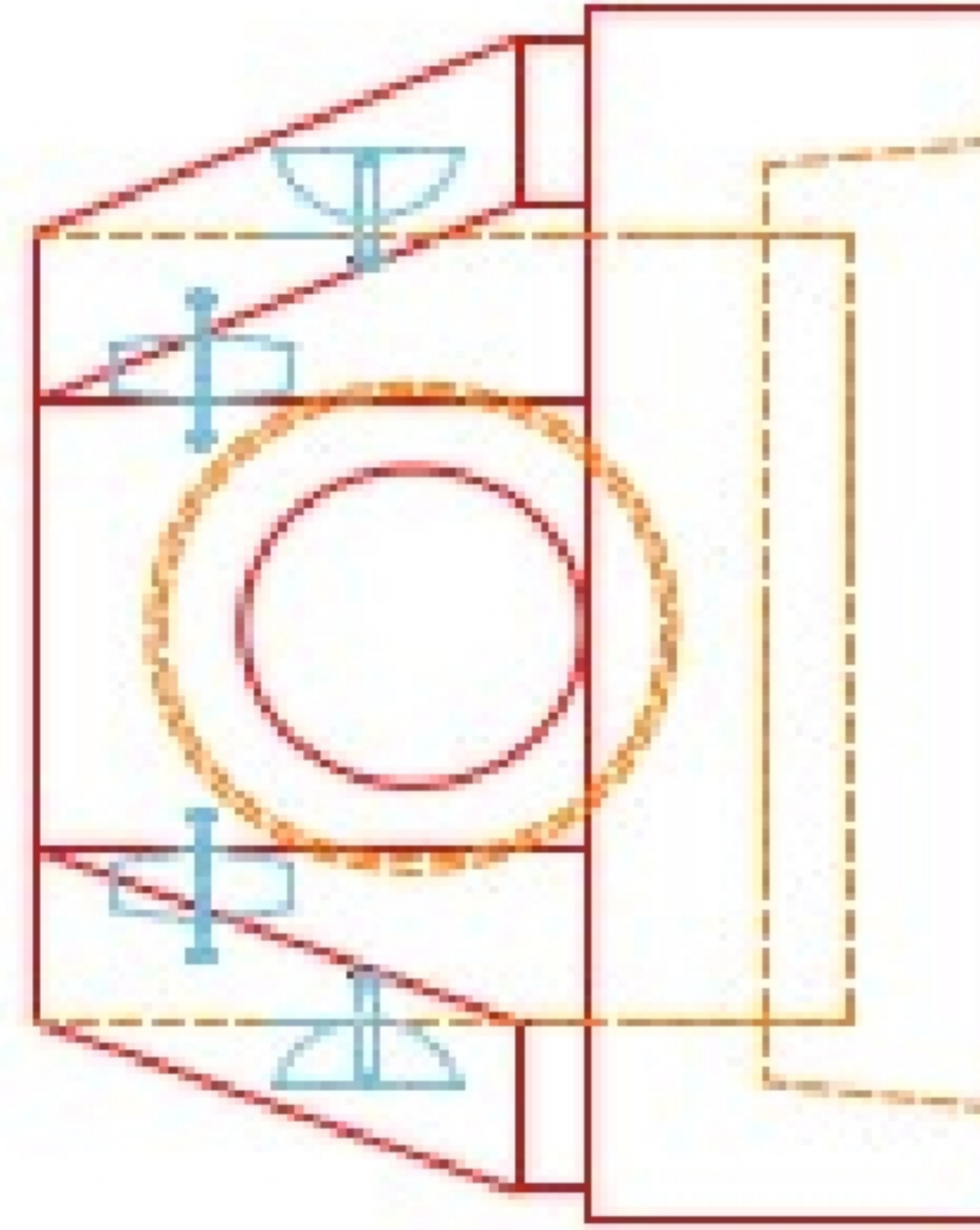
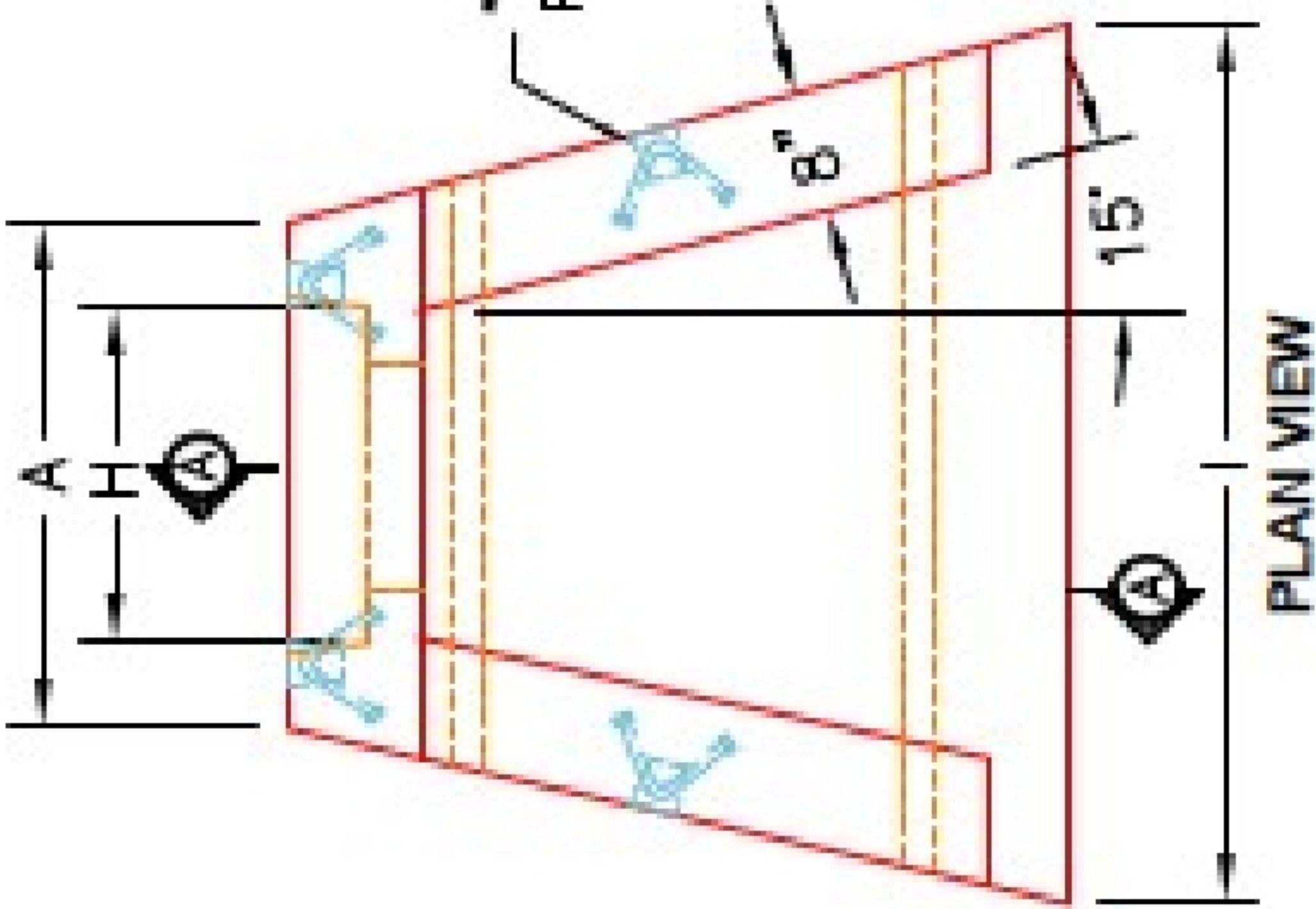
DIMENSIONS										
PPE Ø	A	B	C	D	E	F	G	H	I	WEIGHT
15"	2'-0"	3'-6"	2'-0"	1'-6"	4'-0"	3"	2"	2'-0"	4'-0"	3,181 LBS.



ISOMETRIC VIEW
15" HEADWALL



"A-ANCHOR" LIFTING SYSTEM FOR PLANT & FIELD HANDLING.



NOTES:

1. CONCRETE: 4500 PSI @ 28 DAYS.
2. REINFORCING: #4 BAR @ 12" C/C E.W.-GRADE 60, (WITH 2" CONCRETE COVER MINIMUM)
3. REINFORCING BARS TO BE TACK WELDED OR TIED.
4. DRAWING TO BE USED IN CONJUNCTION WITH KYTC STD. DRAWING RDH-020-03 AND THE STANDARD SPECIFICATIONS FOR ROAD AND BRIDGE CONSTRUCTION.
5. # CHAMFER ON ALL EXPOSED EDGES.

PRODUCTION WORK ORDER

PRODUCT I.D.: HWSF15	DESCRIPTION: KYTC 15" SLOPED & FLARED HEADWALL
PRODUCT VIEW: RIGHT SIDE UP	CUSTOMER: STOCK
PLANT: BEAVER DAM, KY.	PROJECT: STOCK INVENTORY
WEIGHT: 3,181 LBS.	STRUCTURE I.D.: N/A
TOP SECTION JOINT: N/A	QUOTE/SALES ORDER NO: N/A
BASE SECTION JOINT: N/A	CHECK: J.H. ROSS, PE DRAWING: N. RICHARDS
QC CHECK INITIALS:	DATE: 09/15/22 SCALE: NTS PG. 1 of 1

