



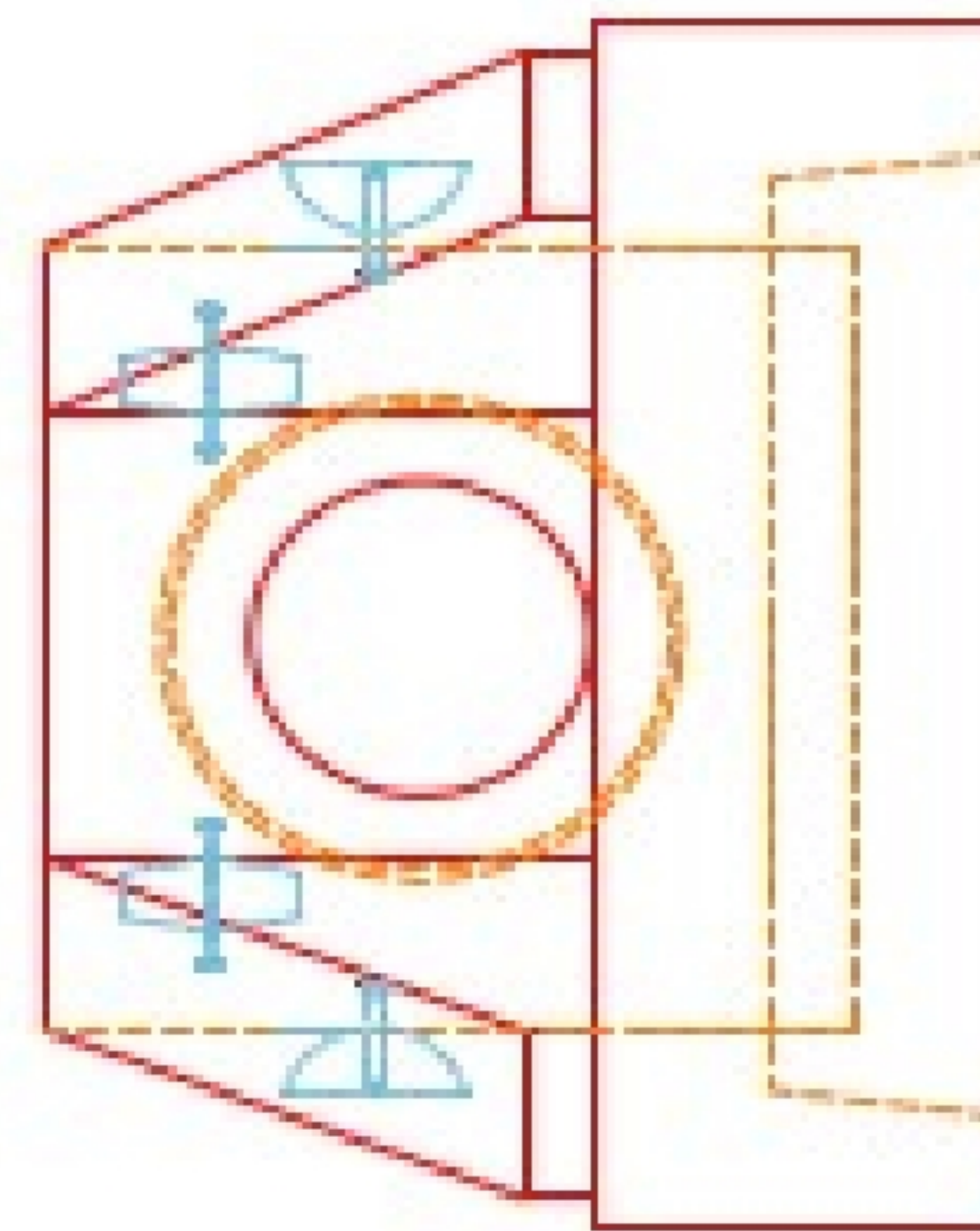
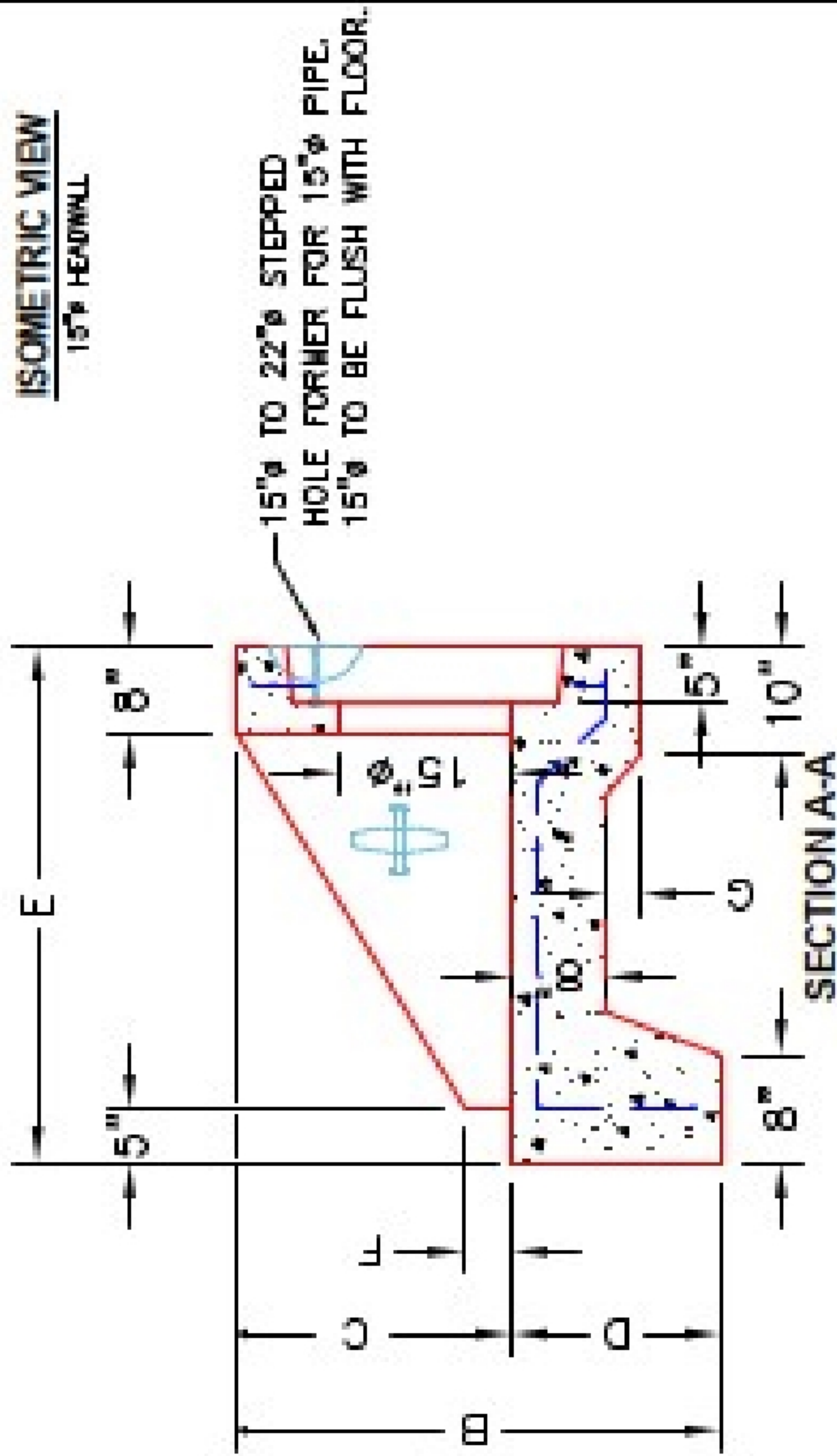
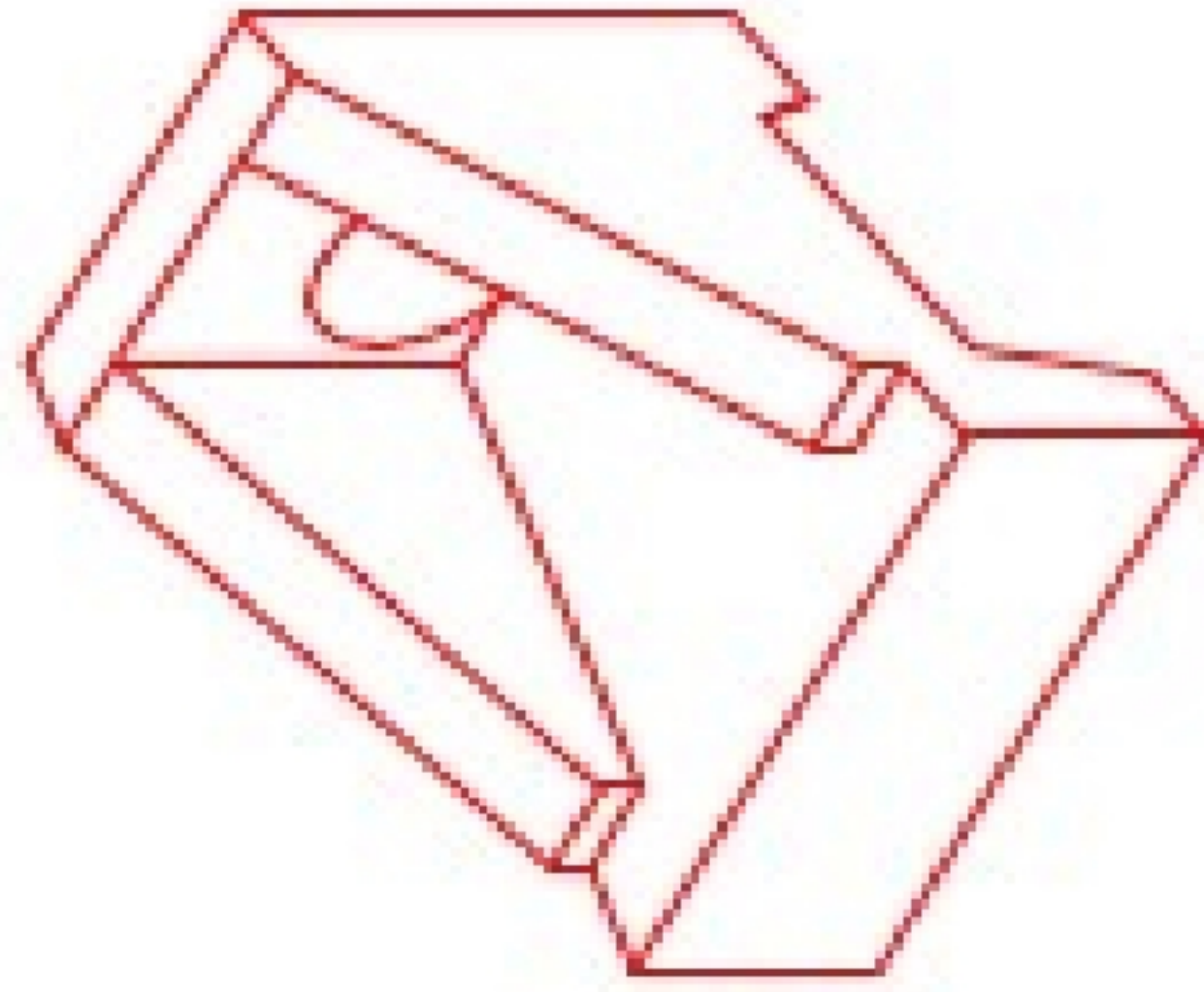
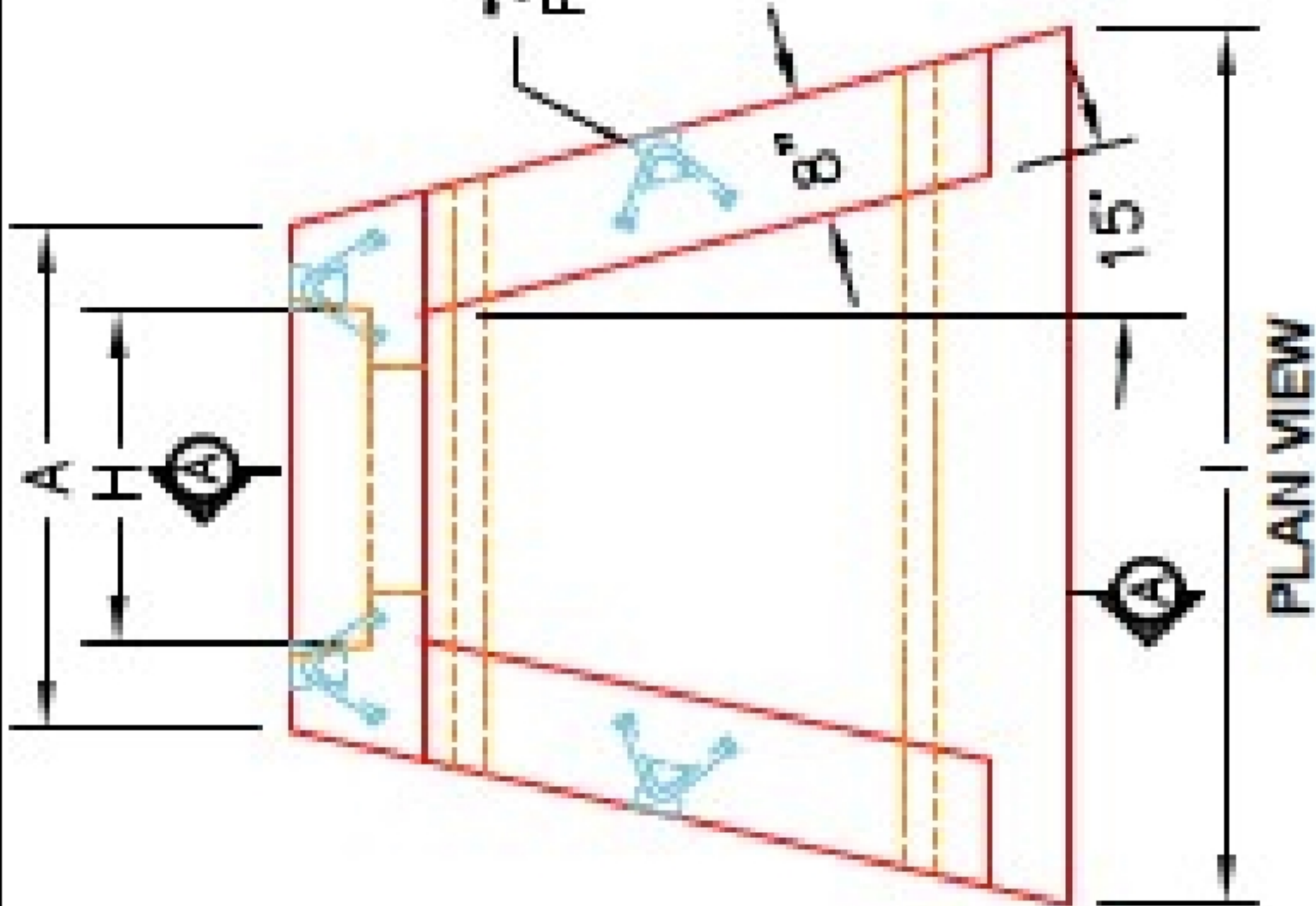
Structure ID: ICAST LI2 4

P1 HWSF15

15" - SLOPED & FLARED HEADWALL F/F

DIMENSIONS										
PPE Ø	A	B	C	D	E	F	G	H	I	WEIGHT
15"	2'-0"	3'-6"	2'-0"	1'-6"	4'-0"	3"	2"	2'-0"	4'-0"	3,181 LBS.

"A"-ANCHOR LIFTING SYSTEM FOR PLANT & FIELD HANDLING.



FRONT ELEVATION

- NOTES:**
1. CONCRETE: 4500 PSI @ 28 DAYS.
 2. REINFORCING: #4 BAR @ 12" C/C E.W.-GRADE @0, (WITH 2" CONCRETE COVER MINIMUM)
 3. REINFORCING BARS TO BE TACK WELDED OR TIED.
 4. DRAWING TO BE USED IN CONJUNCTION WITH KYTC STD. DRAWING RDH-020-03 AND THE STANDARD SPECIFICATIONS FOR ROAD AND BRIDGE CONSTRUCTION.
 5. $\frac{1}{4}$ " CHAMFER ON ALL EXPOSED EDGES.

PRODUCTION WORK ORDER

- QUALITY CONTROL CHECKLIST**
- ALL DIMENSIONS CORRECT.
 - LIFTERS INSTALLED.
 - STEPPED IF CORRECT SIZE.
 - REINFORCING CORRECT.
 - DISSIPATOR BLOCK INSTALLED.
 - EDGES CHAMFERED.
 - ALL PATCHWORK ACCEPTABLE.



PRODUCT I.D.: HWSF15	DESCRIPTION: KYTC 15" SLOPED & FLARED HEADWALL
PRODUCT VIEW: RIGHT SIDE UP	CUSTOMER: STOCK
PLANT: BEAVER DAM, KY.	PROJECT: STOCK INVENTORY
WEIGHT: 3,181 LBS.	STRUCTURE I.D.: N/A
TOP SECTION JOINT: N/A	QUOTE/SALES ORDER NO: N/A
BASE SECTION JOINT: N/A	CHECK: J.H. ROSS, PE DRAWING: N. RICHARDS
QC CHECK INITIALS:	DATE: 09/15/22 SCALE: NTS PG. 1 of 1