

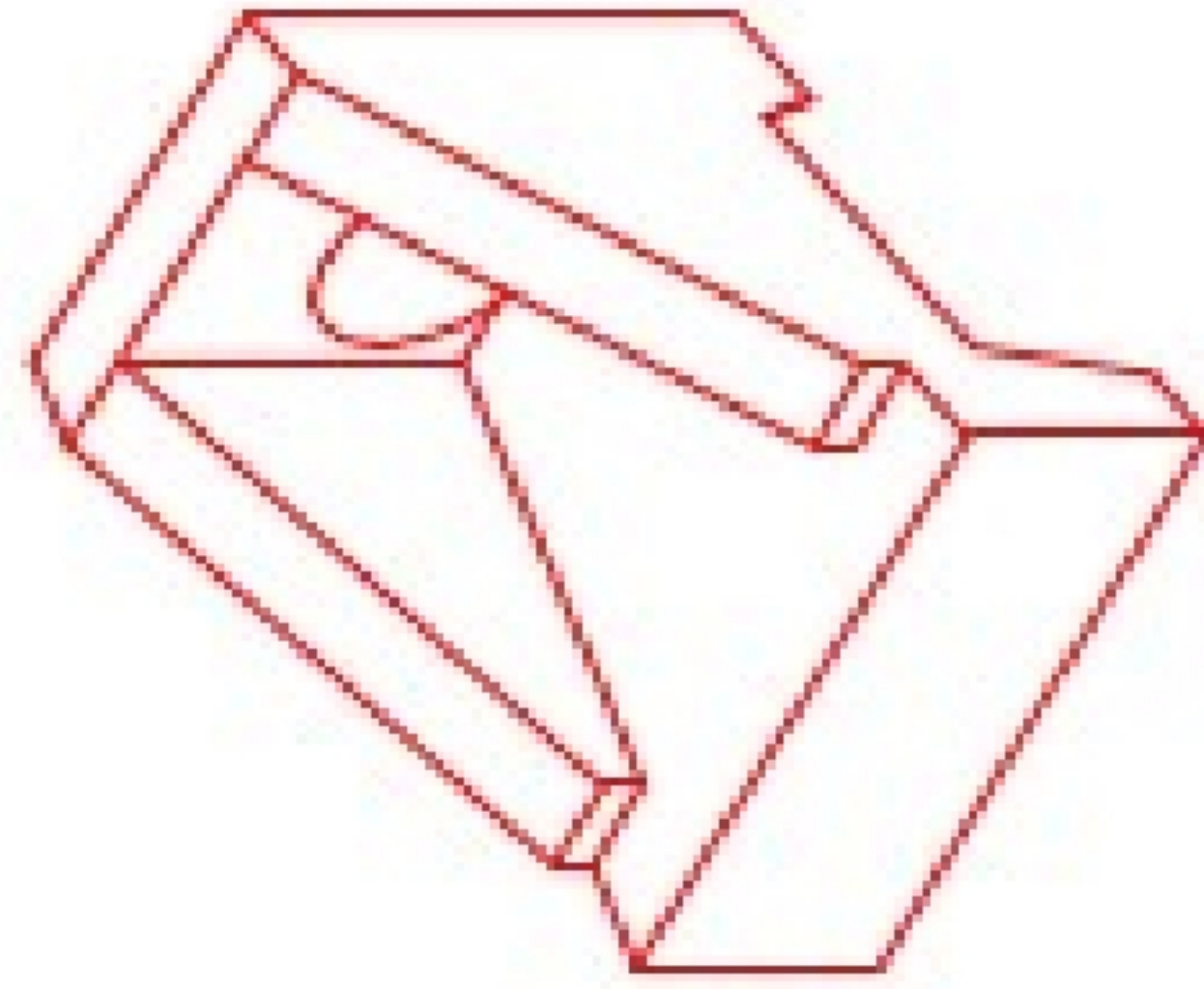


Structure ID: ICAST LI2 1

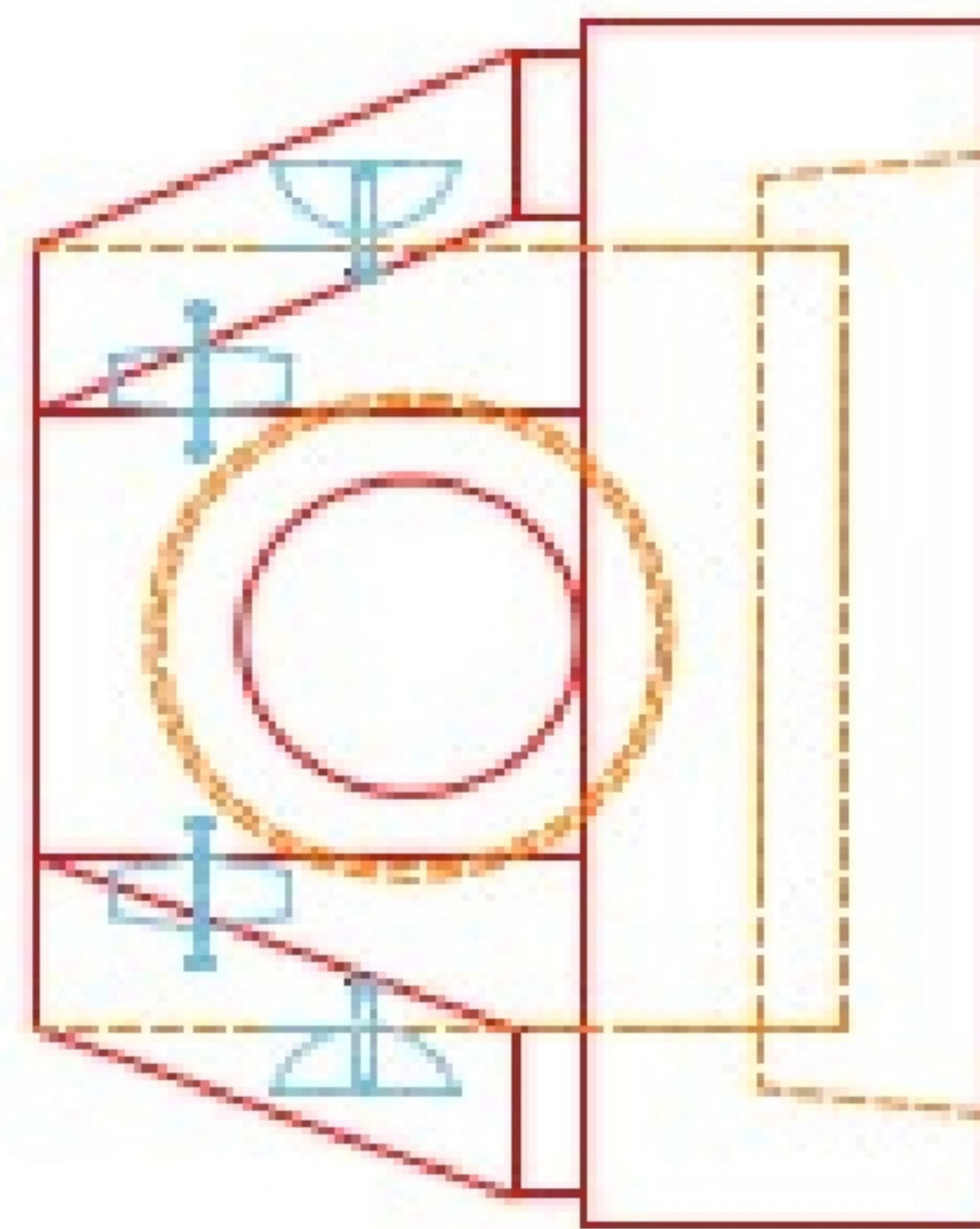
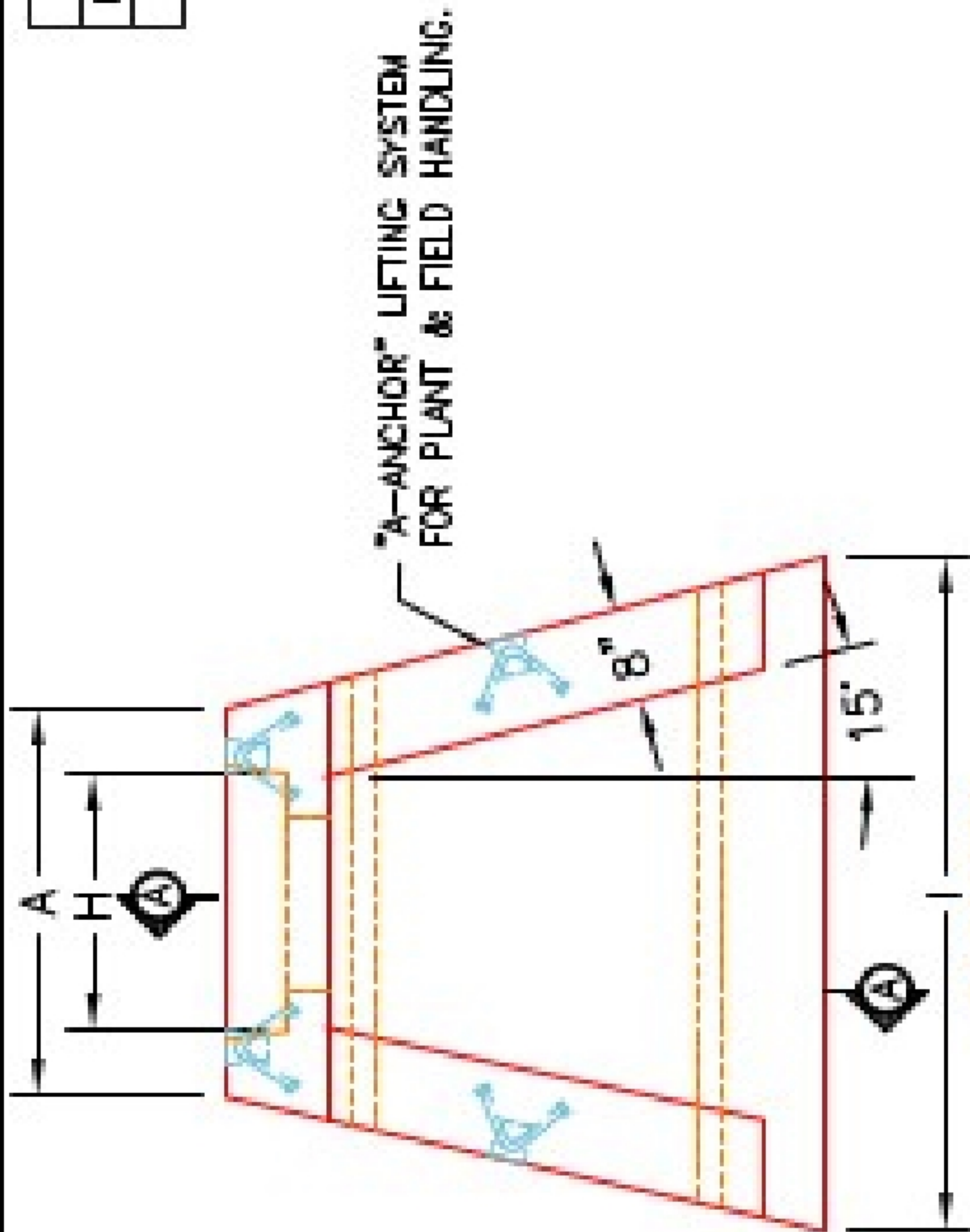
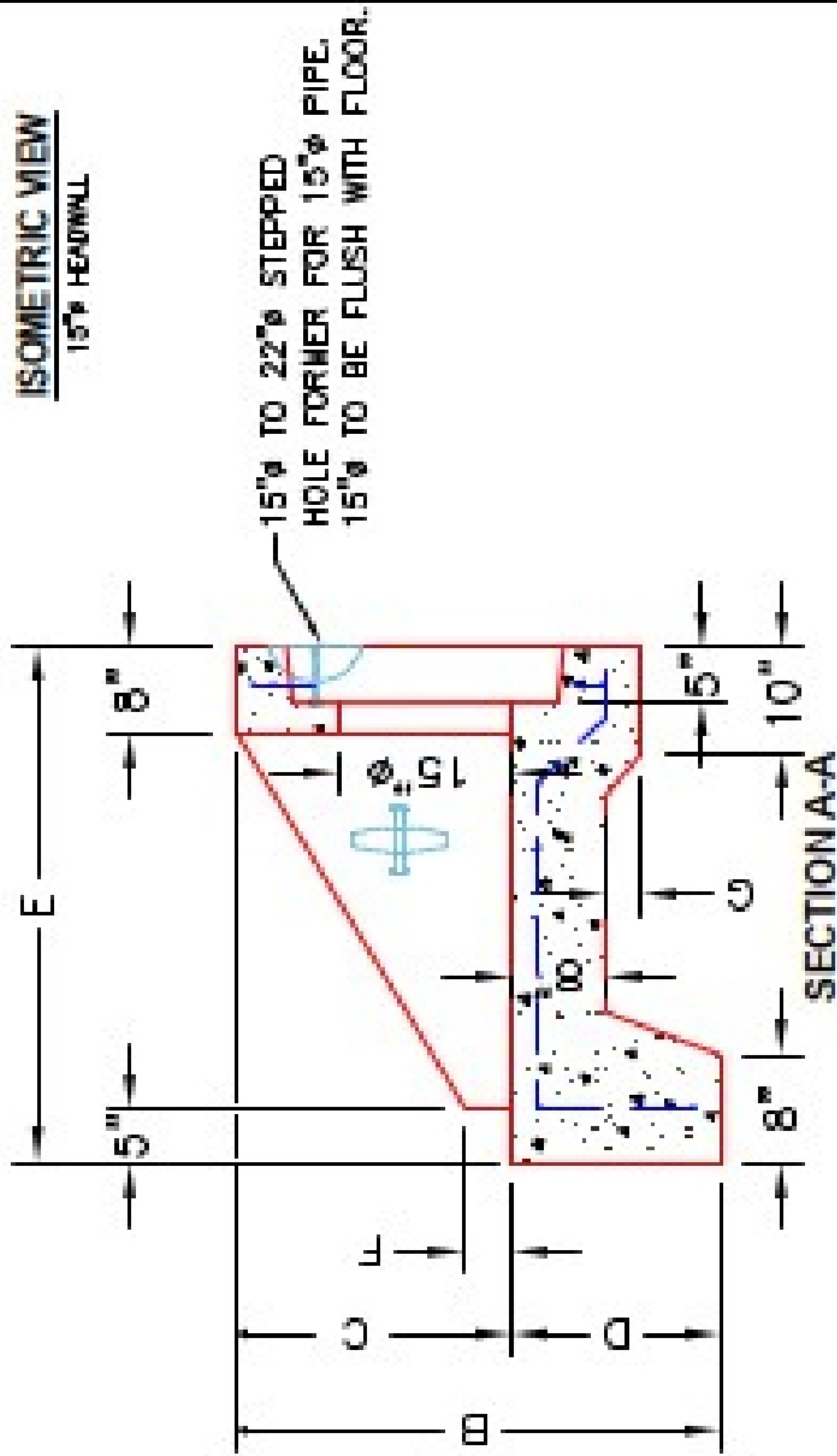
P1 HWSF15

15" - SLOPED & FLARED HEADWALL F/F

DIMENSIONS										
PPE Ø	A	B	C	D	E	F	G	H	I	WEIGHT
15"	2'-0"	3'-6"	2'-0"	1'-6"	4'-0"	3"	2"	2'-0"	4'-0"	3,181 LBS.



ISOMETRIC VIEW
15° HEADWALL



FRONT ELEVATION

- NOTES:**
1. CONCRETE: 4500 PSI @ 28 DAYS.
 2. REINFORCING: #4 BAR @ 12" C/C E.W.—GRADE 60, (WITH 2" CONCRETE COVER MINIMUM)
 3. REINFORCING BARS TO BE TACK WELDED OR TIED.
 4. DRAWING TO BE USED IN CONJUNCTION WITH KYTC STD. DRAWING RDH-020-03 AND THE STANDARD SPECIFICATIONS FOR ROAD AND BRIDGE CONSTRUCTION.
 5. **1/4" CHAMFER ON ALL EXPOSED EDGES.**

PRODUCTION WORK ORDER		PRODUCT I.D.: HWSF15	DESCRIPTION: KYTC 15" SLOPED & FLARED HEADWALL
QUALITY CONTROL CHECKLIST		PRODUCT VIEW: RIGHT SIDE UP	CUSTOMER: STOCK
<input type="checkbox"/>	ALL DIMENSIONS CORRECT.	PLANT: BEAVER DAM, KY.	PROJECT: STOCK INVENTORY
<input type="checkbox"/>	LIFTERS INSTALLED.	WEIGHT: 3,181 LBS.	STRUCTURE I.D.: N/A
<input type="checkbox"/>	STEPPED IF CORRECT SIZE.	TOP SECTION JOINT: N/A	QUOTE/SALES ORDER NO: N/A
<input type="checkbox"/>	REINFORCING CORRECT.	BASE SECTION JOINT: N/A	CHECK: J.H. ROSS, PE
<input type="checkbox"/>	DISSIPATOR BLOCK INSTALLED.	QC CHECK INITIALS:	DRAWING: N. RICHARDS
<input type="checkbox"/>	EDGES CHAMFERED.		DATE: 09/15/22
<input type="checkbox"/>	ALL PATCHWORK ACCEPTABLE.		SCALE: NTS
			PG. 1 of 1

