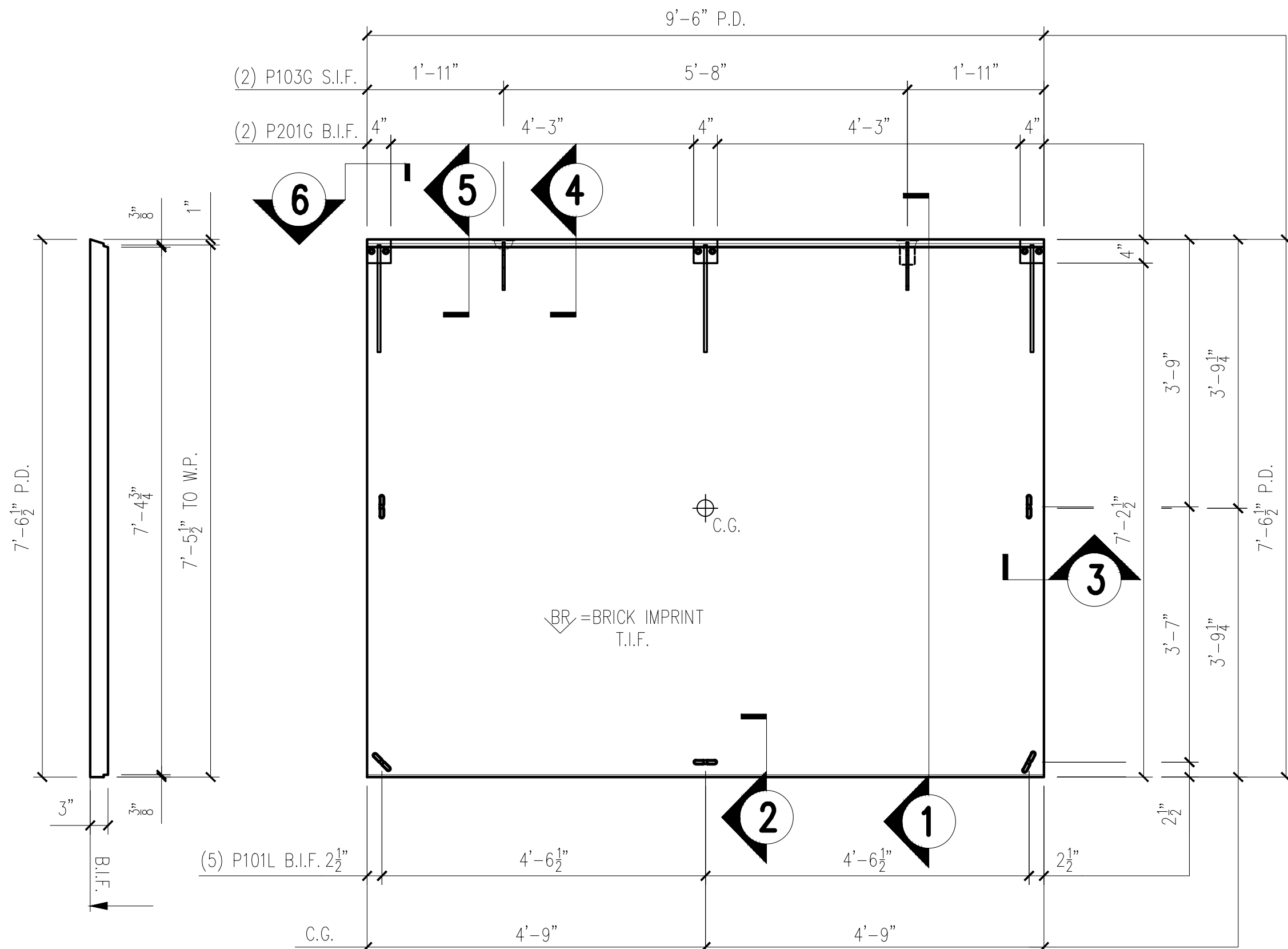
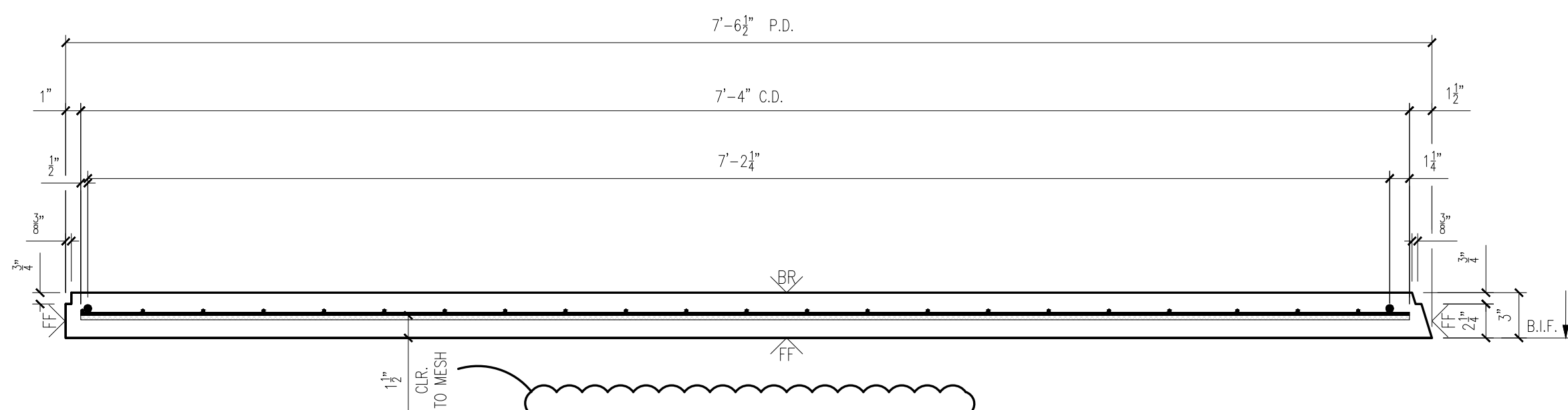


25-3077  
 MONTGOMERY CO AIRPORT BUILDING  
 PRODUCT ID - CVW  
 SIDE WALL - BSDG-10  
 WEIGHT - 2,700 LBS EACHH  
 2 REQUIRED

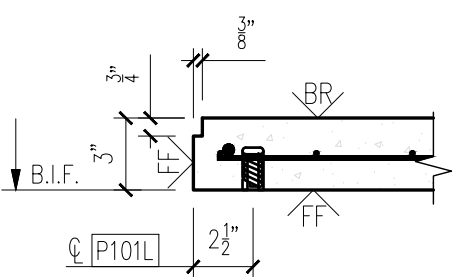
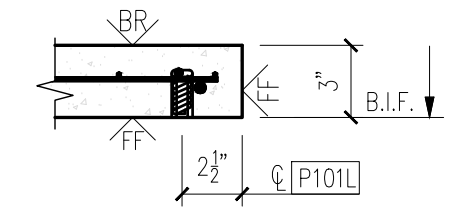
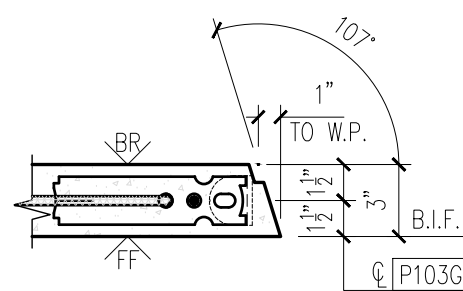
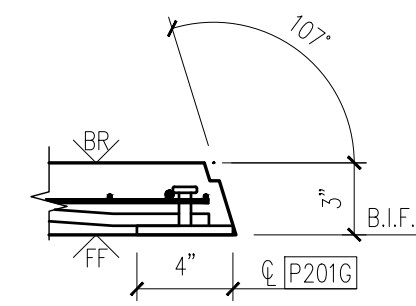


SIDE WALL FORM VIEW

SCALE: 1/2" = 1'-0"



NOTE: HOLD TIGHT TOLERANCE ON REINFORCING PLACEMENT



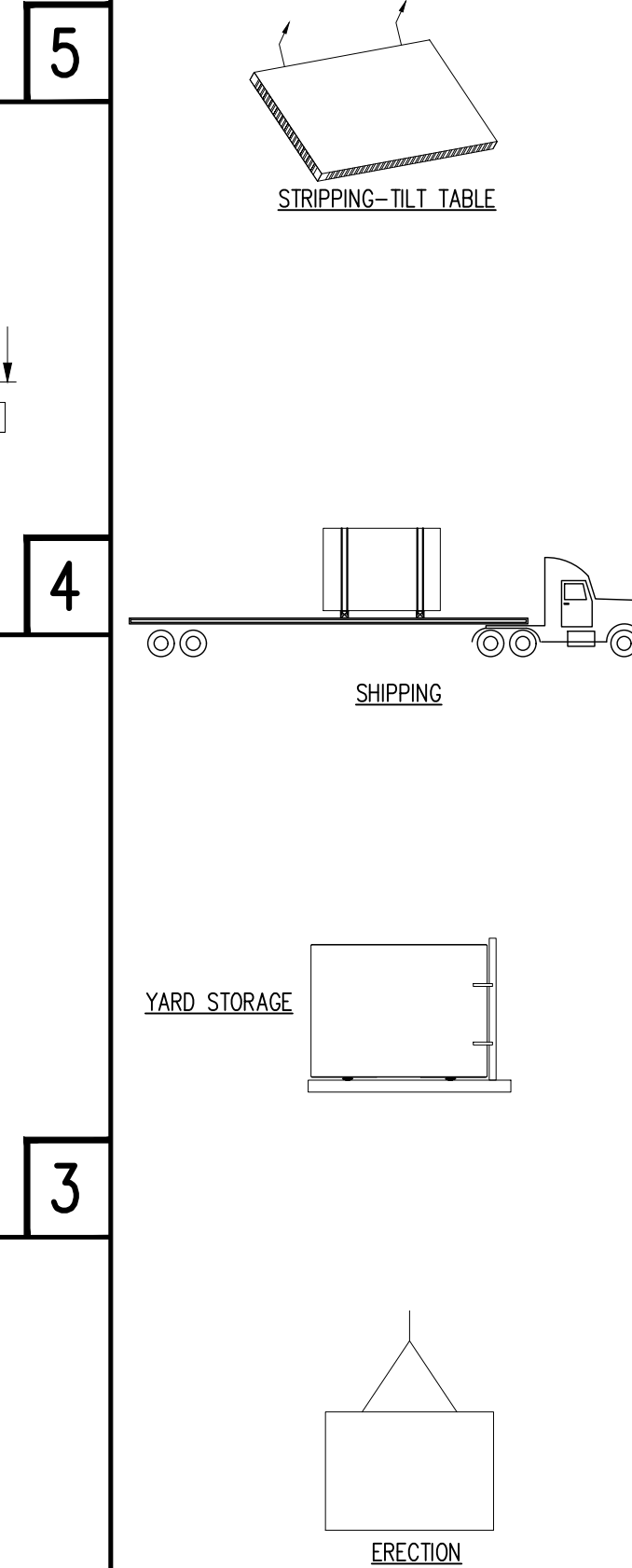
MESSAGE CENTER

- REFER TO DETAILS AND SECTION FOR REINFORCEMENT PLACEMENT
- SHOP TICKET SHOWS EXTERIOR FINISH CAST FACE UP

CHECKED BY: DATE:  
 APPROVED BY: DATE:

BILL OF MATERIALS		
MARK #	DESCRIPTION	QTY
P101L	1/2" Ø X 1 1/2" F-63 FLARED THIN SLAB COIL INSERT (ELECTROPLATED)	5
P201G	4" X 4" X 3/8" W/(2) 3/8" Ø X 1 1/2" H.A.S. W/ 1'-4" BENT REBAR (GALV.)	2
P103G	2 TON TECH ERECTION ANCHOR (GALV.)	2

HANDLING INSTRUCTIONS



CONCRETE INSTRUCTIONS	
CONCRETE RELEASE @ 2,500 P.S.I.	
CONCRETE @ 28 DAYS: 5,000 P.S.I.	
CONCRETE MIXES	
CONCRETE - GRAY	VOLUME = 0.66 C.Y.
CONCRETE - MIX 1	VOLUME = - C.Y.
CONCRETE - MIX 2	VOLUME = - C.Y.
SOFT SOUND	VOLUME = - C.Y.
TOTALS	VOLUME = 0.66 C.Y.
WEIGHT: 2,700 LBS.	

FINISHING INSTRUCTIONS	
BR = BRICK IMPRINT	
FF = FORM FINISH	
WT = WET TROWEL FINISH	
H = 7'-6 1/2"	SQ.FT.(T.I.F.) = 71.0
W = 9'-6"	SQ.FT.(T.I.F.) = -
D = 3"	SQ.FT.(T.I.F.) = -
CONTROL NUMBERS:	
-	

PRODUCT	SALES ORDER NUMBER
BUILDING	STANDARD
SHEET NUMBER	NUMBER REQUIRED
1 OF 2	2

**EASI-SET® WORLDWIDE**  
 5119 Cattet Rd. • Midland, VA 22728 • info@EasiSet.com  
 www.EasiSet.com • 800-547-4045 • Fax 540-439-2541

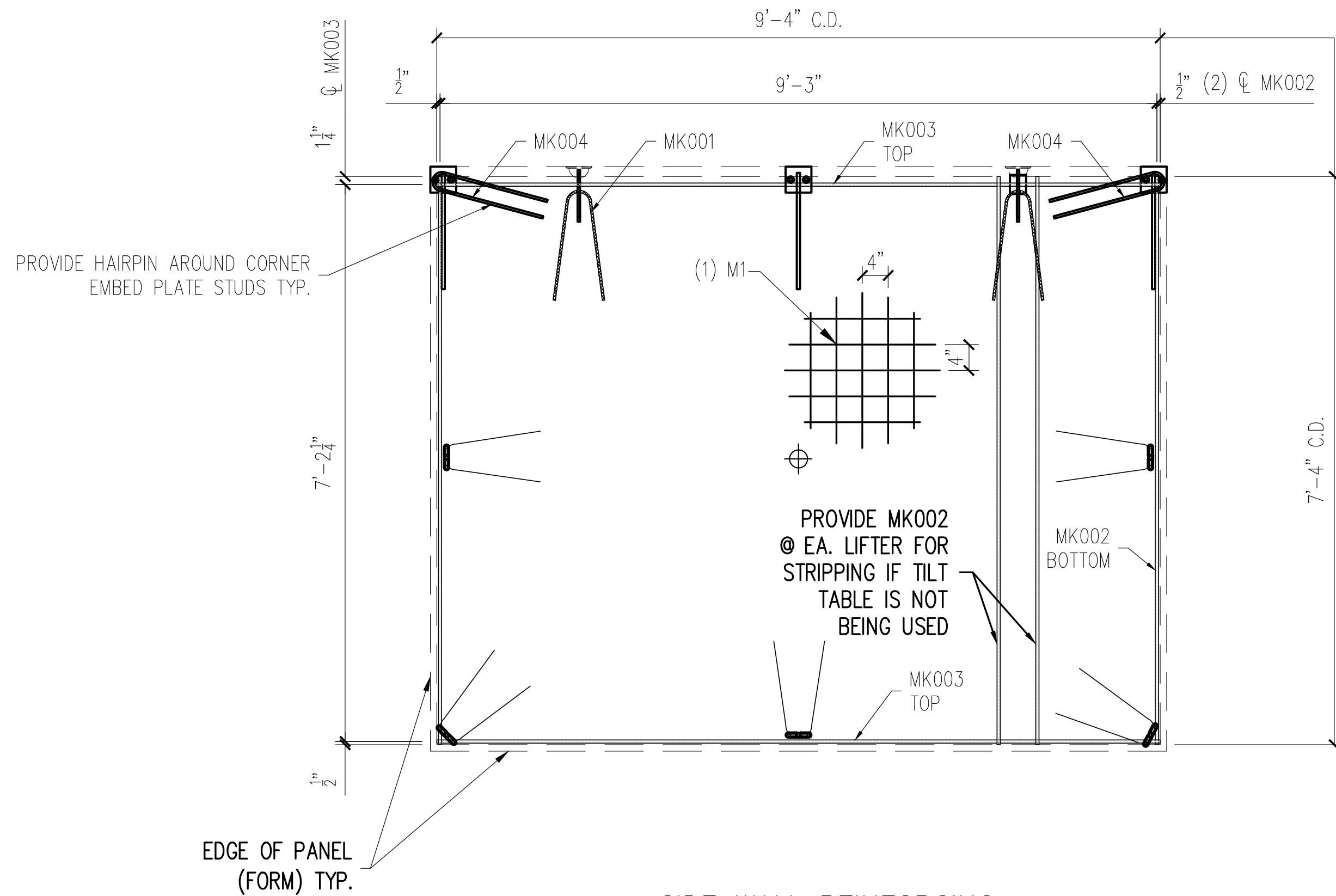
REV	INI	DESCRIPTION	DATE
1	-	-	-
2	-	-	-
3	-	-	-
4	-	-	-
5	-	-	-

PROJECT: STANDARD 10' GABLED FLOOR 10X12 GABLED BUILDING  
 CONTRACTOR: INFRASTRUCTURE PRECAST

SCALE NTS
DRAWN BY WCR
CHECK BY JAD
ISSUE DATE 10.15.25
PIECE MARK BSDG-10

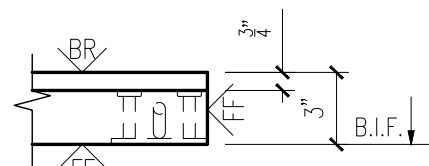
25-3077  
 MONTGOMERY CO AIRPORT BUILDING  
 PRODUCT ID - CVW  
 SIDE WALL - BSDG-10  
 WEIGHT - 2,700 LBS EACHH  
 2 REQUIRED

NOTE:  
 DIMENSIONS PROVIDED ARE PULLED FROM EDGE OF  
 CAGE TO CENTERLINE OF REBAR AND TO CENTER  
 OF REBAR TO CENTER OF REBAR



**SIDE WALL REINFORCING**

SCALE: 1/2" = 1'-0"



MESSAGE CENTER

- REFER TO DETAILS AND SECTION FOR REINFORCEMENT PLACEMENT
- SUPPLEMENTAL STEEL FOR STRIPPING AND HANDLING MAY BE ADDED AS REQUIRED.

NOTE:

1. CONSTRUCT REBAR-MESH CAGE ACCORDING TO THE DRAWINGS. SECURE LIFTING APPARATUS TO FORM AND ADD PROPER REINFORCEMENT. PLACE REBAR-MESH CAGE AND HAIRPINS AT INSERTS WITH PROPER CLEARANCES (PER DRAWINGS).

CHECKED BY: DATE:  
 APPROVED BY: DATE:

PRODUCT BUILDING	SALES ORDER NUMBER STANDARD
SHEET NUMBER 2 OF 2	NUMBER REQUIRED 2

REINFORCING SCHEDULE		
MARK #	DESCRIPTION	QTY
MK001	#3 X 3'-0"	7
MK002	#3 X 7'-4"	2
MK003	#3 X 9'-4"	2
MK004	#3 X 3'-1"	2

MESH SCHEDULE		
MARK #	DESCRIPTION	QTY
M1	W4XW4 4"X4" WWF 9'-4" X 7'-4"	1

REV	INI.	DESCRIPTION	DATE
1			
2			
3			
4			
5			

PROJECT: STANDARD 10' GABLED FLOOR  
 10X12 GABLED BUILDING  
 CONTRACTOR: INFRASTRUCTURE PRECAST

SCALE NTS
DRAWN BY WCR
CHECK BY JAD
ISSUE DATE 10.15.25
PIECE MARK BSDG-10

**EASI-SET® WORLDWIDE**  
 5119 Callett Rd. • Midland, VA 22728 • info@EasiSet.com  
 www.EasiSet.com • 800-547-4045 • Fax 540-439-2541