

**Structure ID: Storm Inlet B**

**P1 BX24240606VF**

**BOX BASE 6inW, 6inF, Variable Ht F/n**

P2) 24" x 24" - CASTING HEIGHT - 7" P1) 24" x 24" - BOX BASE 6inW, 6inF, Variable Ht F/n - 41" 1) CASTING - HOE MCB-315 F/TY.B Perf. Cover 1) 24" x 24" - Conseal CS-102 1.00" 1) Hole - 16 2) Hole - 14 1) Hole - 6	0 lb 2859 lb 258 lb 0 lb 0 lb 0 lb 0 lb 0 lb ----- 3117 lb	Structure Total: 3117 lb
--	---	--------------------------

**Structure Notes:**

1. PER ASTM C913 SPECIFICATIONS.
2. CONCRETE = 4,000 PSI AT 28 DAYS.
3. NO STEPS AND NO INVERT CHANNEL.
4. CASTING BY ICAST (HOE MC-315 FRAME W/ 1020B COVER BY ICAST).

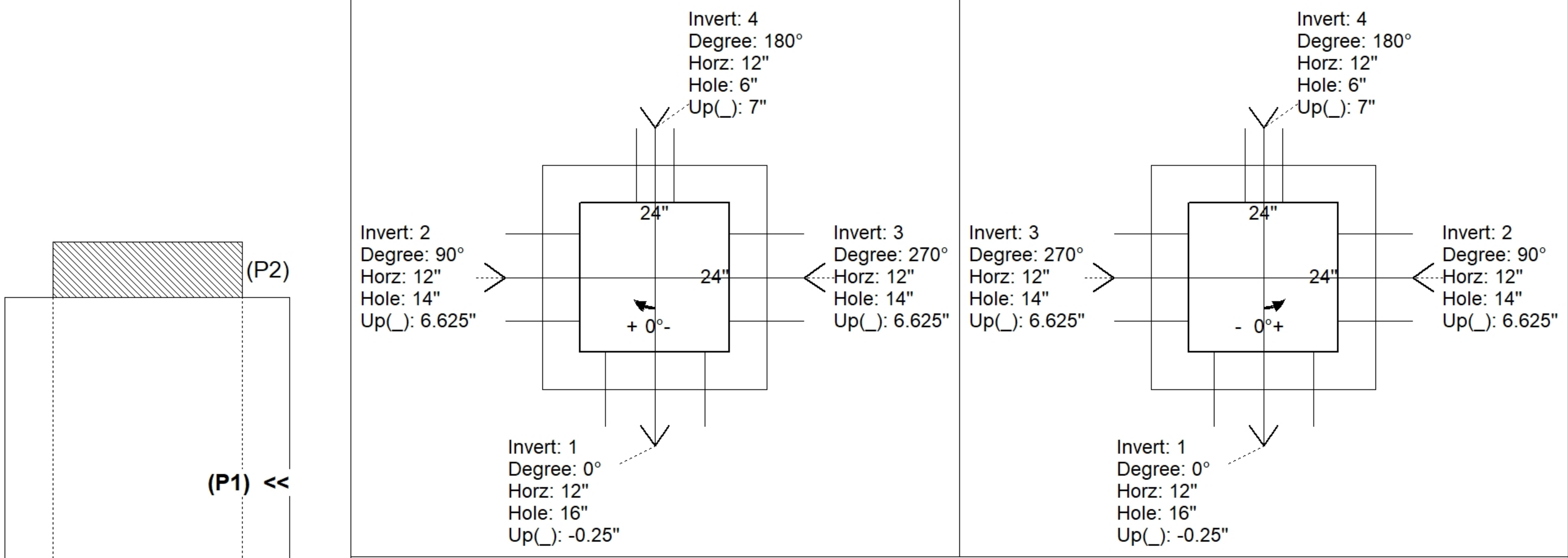
REINFORCING PER ASTM A615 (GRADE 60).  
 - WALLS (As .12) #5 BARS AT 12" C.C.E.W.  
 - FLOOR (As .12) #5 BARS AT 12" C.C.E.W.

Rim: 480.11'    Rim to Invert: 3.98'    Slack: 0.31"    Sump: 0.55"    Step Position:

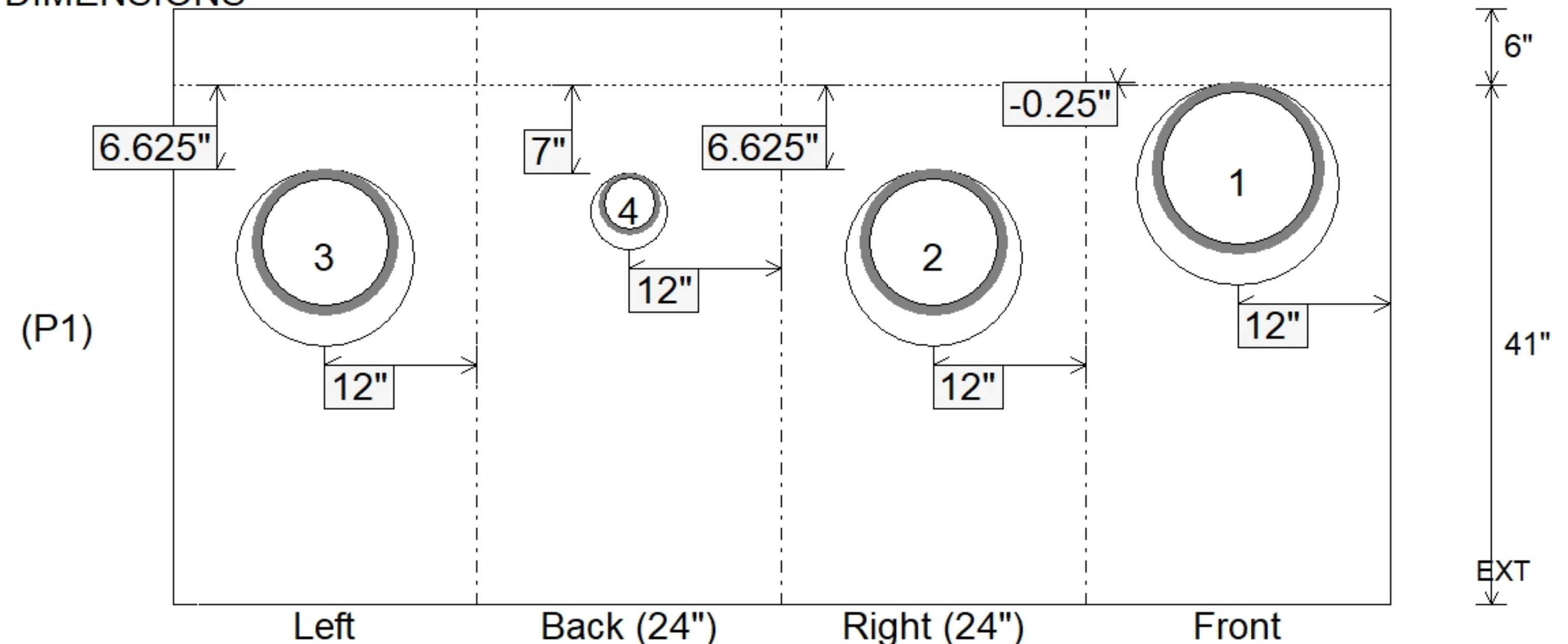
Position	Elev	Angle	Ext. (cw)	Pipe	Pipe OD	Connector	Hole	Horz Size	Up ( )	Offset
Invert 1	476.13'	0°	18"	12" A-2000	13.5"	Hole 16	16"	16"	-0.25"	0"
Invert 2	476.7'	90°	18"	10" A-2000	11.5"	Hole 14	14"	14"	6.625"	0"
Invert 3	476.7'	270°	18"	10" A-2000	11.5"	Hole 14	14"	14"	6.625"	0"
Invert 4	476.7'	180°	18"	4" HDPE	4.8"	Hole 6	6"	6"	7"	0"
Invert 5										
Invert 6										
Invert 7										
Invert 8										

RIGHT-SIDE UP VIEW (int. dimensions)

UPSIDE-DOWN VIEW (int. dimensions)



INSIDE WALL DIMENSIONS



Coating (Int): Coating (Ext):	Seam Up: Flat Seam Dn: n/a	Wall Thickness: 6" Floor Height: 6"	Height (Int): 41" Height (Ext): 47"	Weight (Net): 2859 lb Volume (Net): 0.73cu.yd
----------------------------------	-------------------------------	--	--	--