

Job Name: 25-3061 - SGSC Multi Purpose Facility

Job Location: Fort Branch, IN

Contractor: K&K Excavating Inc.

PC: E. Bradley

TECH: J. Horsley - F

Plant: 100



Structure ID: **Storm Inlet A**

Spec: Storm

Type: BX 6inW, 6inF

Size: 24" x 24"

Rim: 478.26'

Invert: 475.59'

Rim to Invert: 2.67'

Sump: 0.55"

Floor (Top): 475.544'

Floor Height: 6"

Floor (Bot): 475.044'

Overall Height: 3.167'

Slack: 0.59"

Structure Notes:

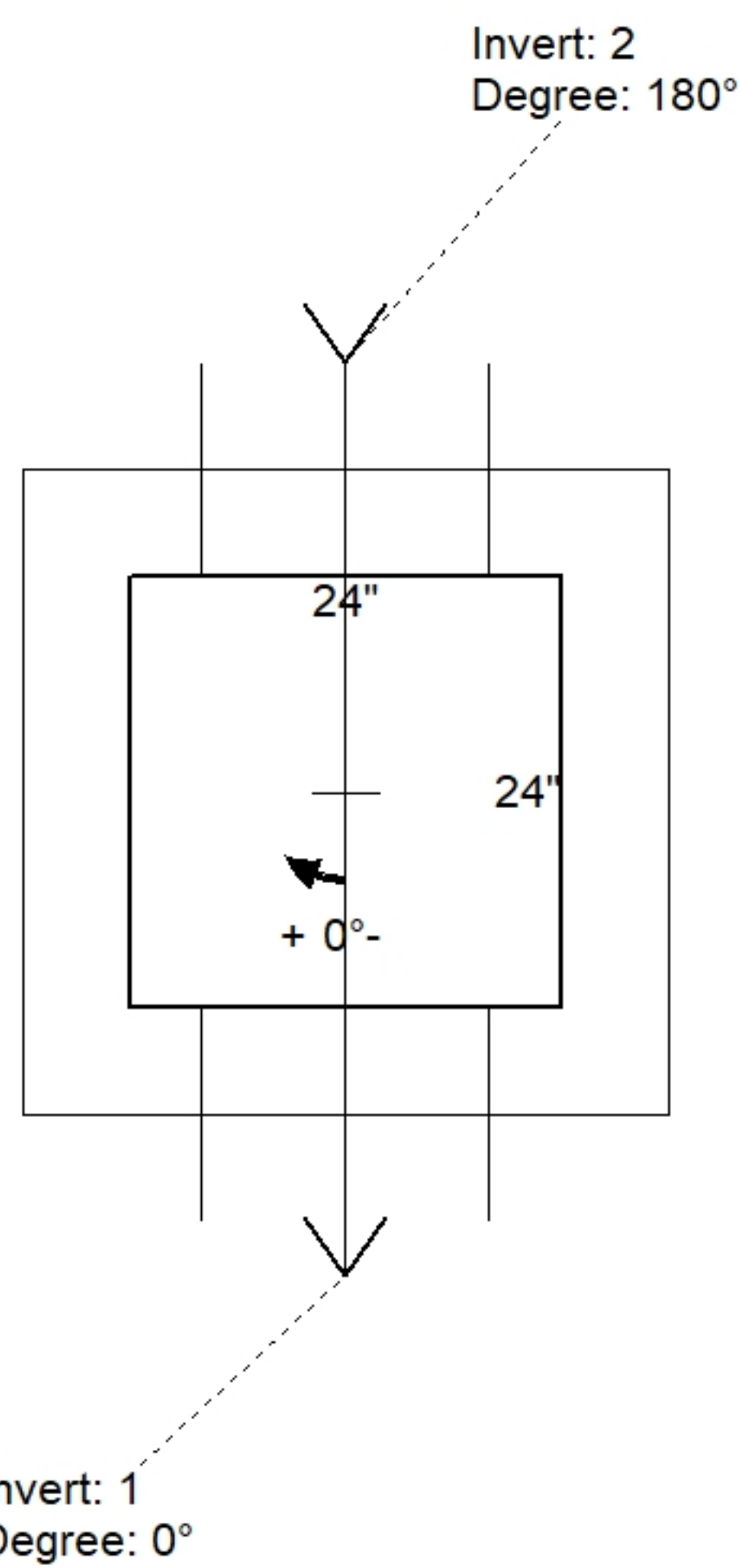
1. PER ASTM C913 SPECIFICATIONS.
2. CONCRETE = 4,000 PSI AT 28 DAYS.
3. NO STEPS AND NO INVERT CHANNEL.
4. CASTING BY ICAST (HOE MCB-315-R F/G).

REINFORCING PER ASTM A615 (GRADE 60).
 - WALLS (As .12) #5 BARS AT 12" C.C.E.W.
 - FLOOR (As .12) #5 BARS AT 12" C.C.E.W.

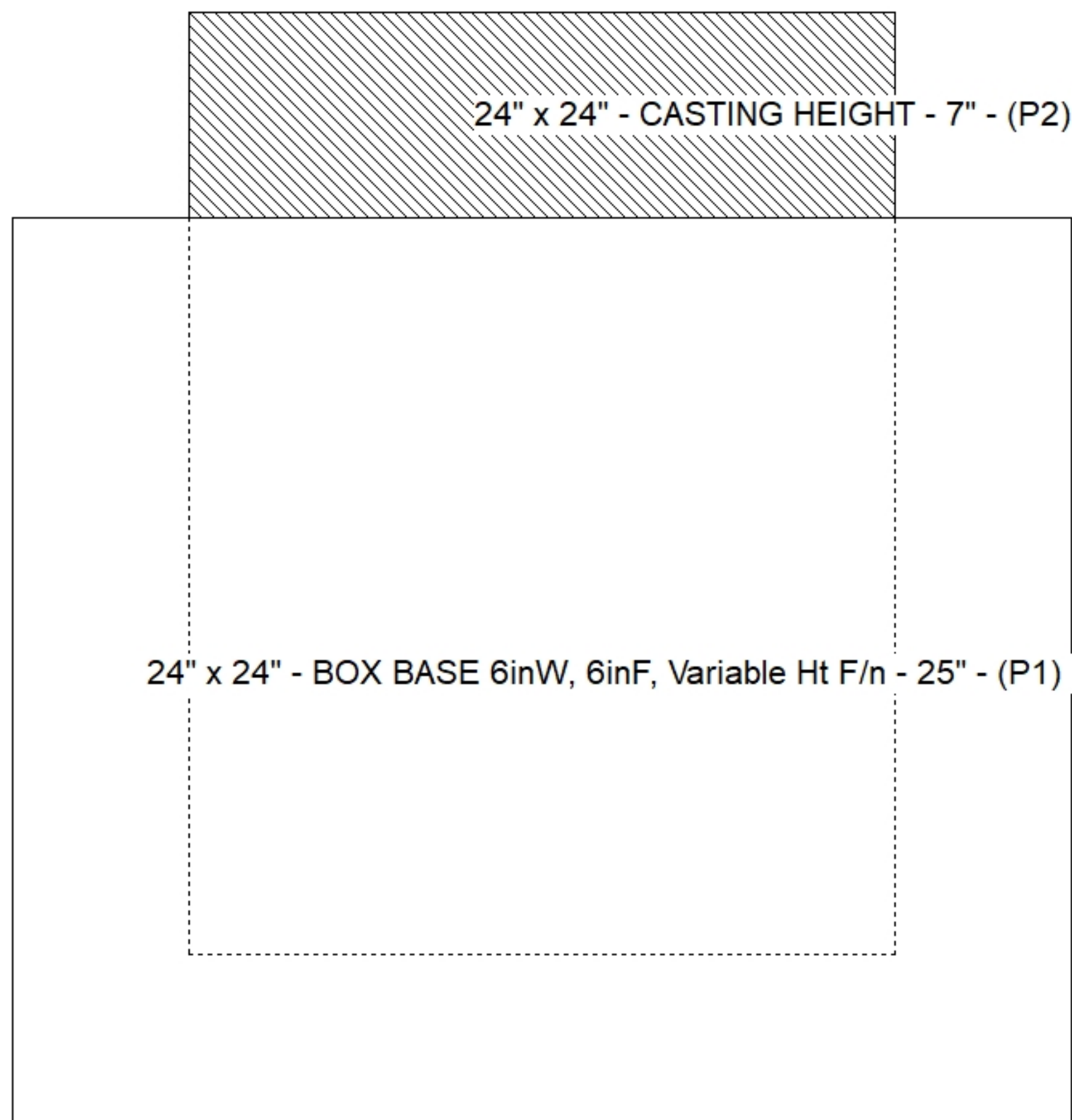
STRUCTURE SUMMARY:

P2) 24" x 24" - CASTING HEIGHT - 7"	0 lb
P1) 24" x 24" - BOX BASE 6inW, 6inF, Variable Ht F/n - 25"	1960 lb
1) CASTING - HOE MCB-315-R F/G	258 lb
1) 24" x 24" - Conseal CS-102 1.00"	0 lb
2) Hole - 16	0 lb

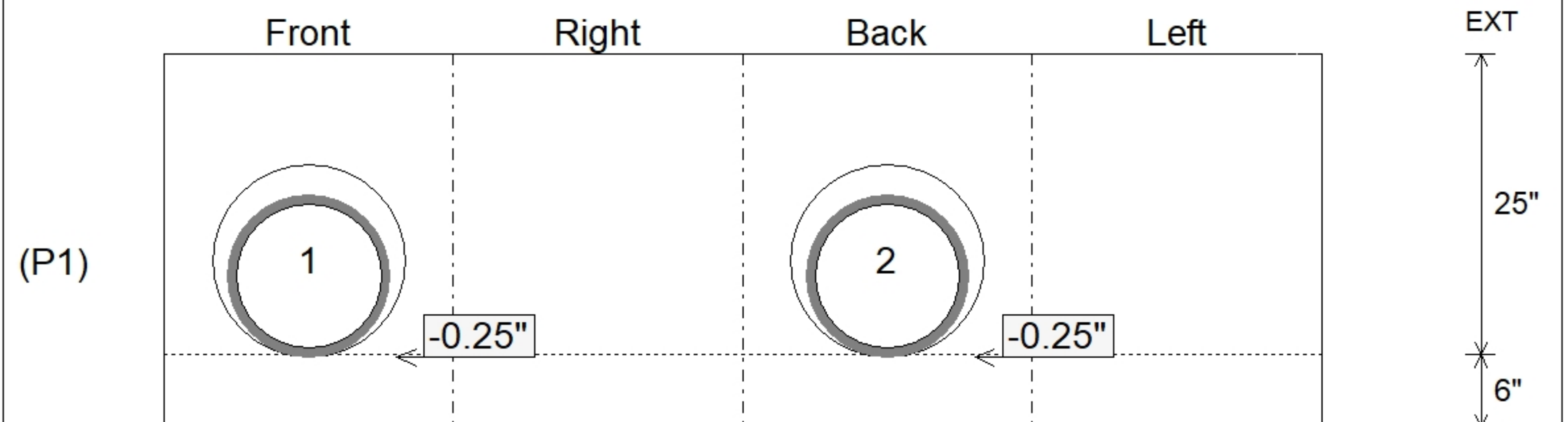
Structure Total:	2218 lb



Position	Elev	Angle	Pipe	Pipe OD	Hole	Connector	Up ()	Ref
Rim	478.26'							
Reducer								
Invert 1	475.59'	0°	12" A-2000	13.5"	16"	Hole 16	-0.25"	P1
Invert 2	475.59'	180°	12" A-2000	13.5"	16"	Hole 16	-0.25"	P1
Invert 3								
Invert 4								
Invert 5								
Invert 6								
Invert 7								
Invert 8								



Cast (Int. Dim.) - Interior Dimensions



Submittal Drawing
 11/25/2025 4:56:43 PM

SUBMITTAL
 APPROVED BY: