

**Structure ID: Storm Inlet A**

**P1 BX24240606VF**

**BOX BASE 6inW, 6inF, Variable Ht F/n**

P2) 24" x 24" - CASTING HEIGHT - 7" P1) 24" x 24" - BOX BASE 6inW, 6inF, Variable Ht F/n - 25" 1) CASTING - HOE MCB-315-R F/G 1) 24" x 24" - Conseal CS-102 1.00" 2) Hole - 16	0 lb 1960 lb 258 lb 0 lb 0 lb ----- Structure Total: 2218 lb
--	--

**Structure Notes:**

1. PER ASTM C913 SPECIFICATIONS.
2. CONCRETE = 4,000 PSI AT 28 DAYS.
3. NO STEPS AND NO INVERT CHANNEL.
4. CASTING BY ICAST (HOE MCB-315-R F/G).

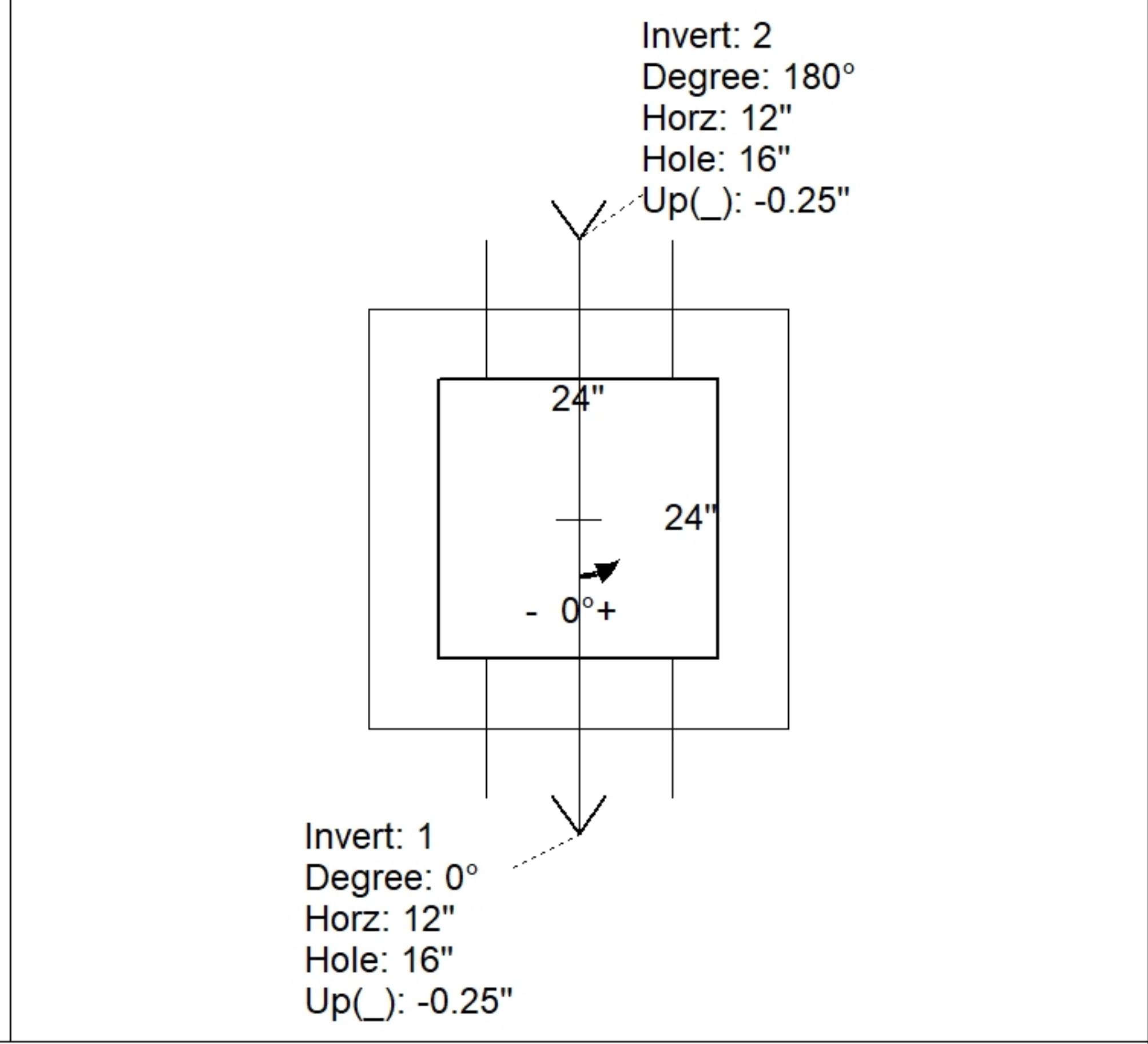
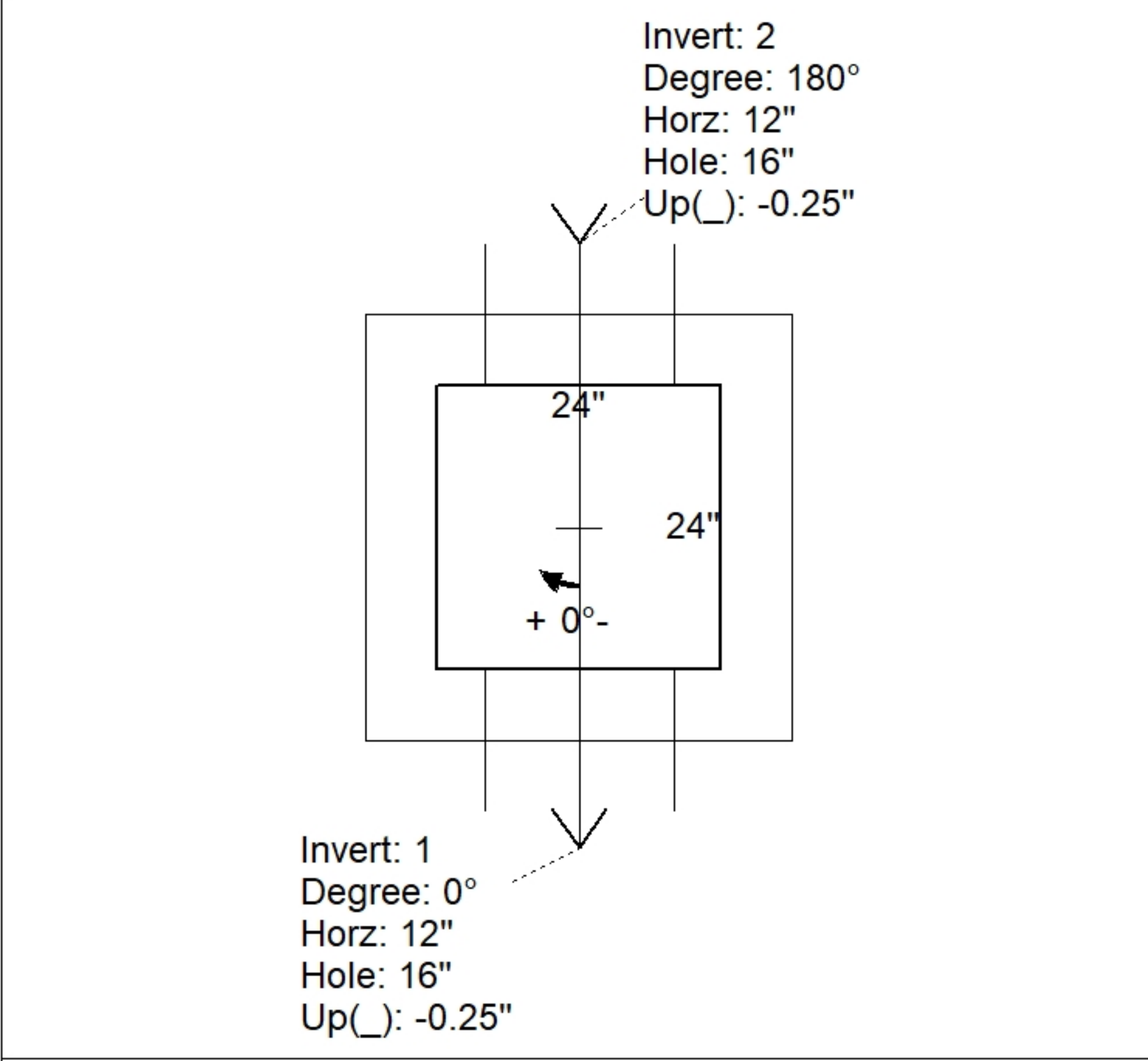
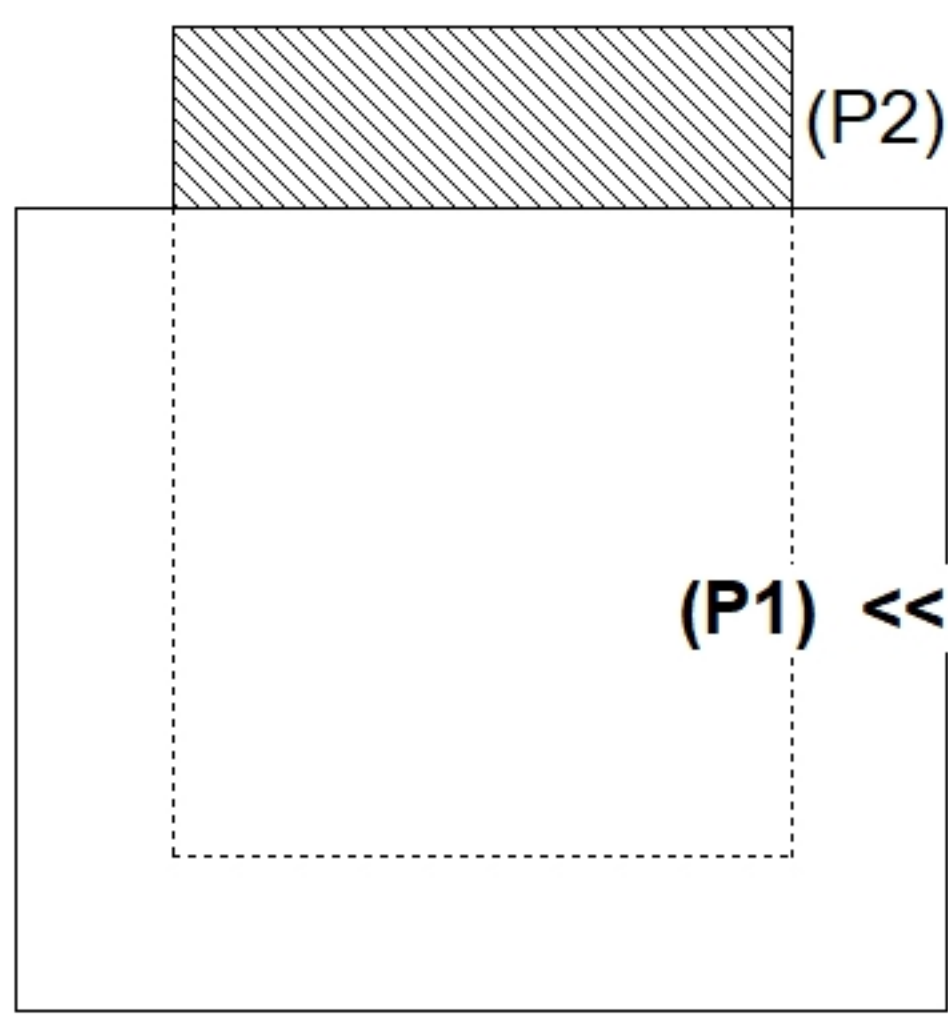
REINFORCING PER ASTM A615 (GRADE 60).  
 - WALLS (As .12) #5 BARS AT 12" C.C.E.W.  
 - FLOOR (As .12) #5 BARS AT 12" C.C.E.W.

Rim: 478.26'    Rim to Invert: 2.67'    Slack: 0.59"    Sump: 0.55"    Step Position:

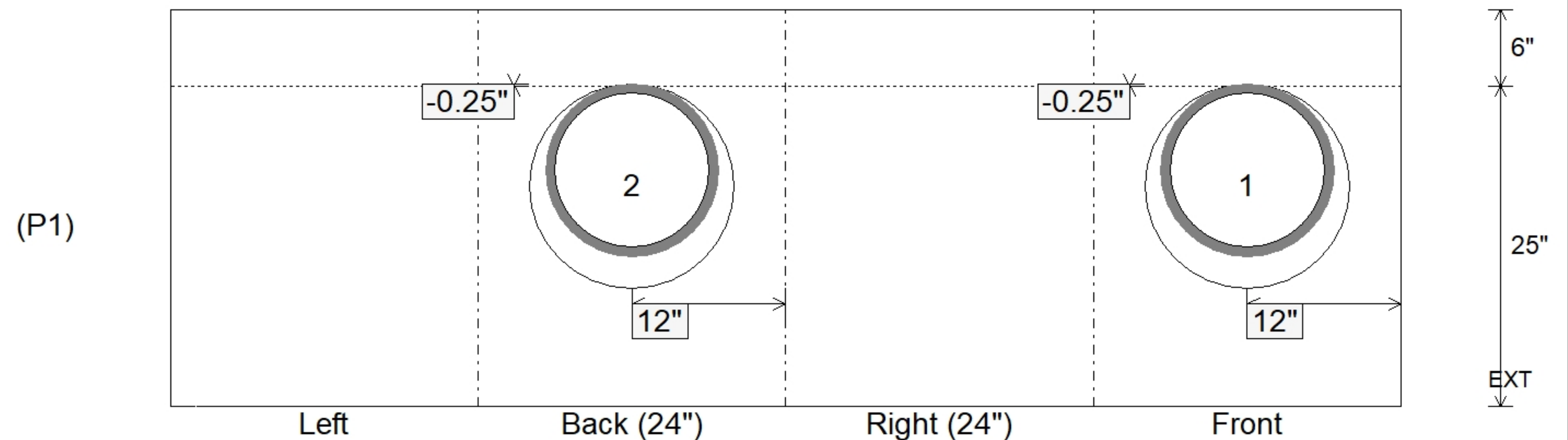
Position	Elev	Angle	Ext. (cw)	Pipe	Pipe OD	Connector	Hole	Horz Size	Up ( )	Offset
Invert 1	475.59'	0°	18"	12" A-2000	13.5"	Hole 16	16"	16"	-0.25"	0"
Invert 2	475.59'	180°	18"	12" A-2000	13.5"	Hole 16	16"	16"	-0.25"	0"
Invert 3										
Invert 4										
Invert 5										
Invert 6										
Invert 7										
Invert 8										

**RIGHT-SIDE UP VIEW (int. dimensions)**

**UPSIDE-DOWN VIEW (int. dimensions)**



**INSIDE WALL DIMENSIONS**



Coating (Int):	Seam Up: Flat Seam Dn: n/a	Wall Thickness: 6" Floor Height: 6"	Height (Int): 25" Height (Ext): 31"
Coating (Ext):			Weight (Net): 1960 lb Volume (Net): 0.5cu.yd