

Job Name: 25-3061 - SGSC Multi Purpose Facility
 Job Location: Fort Branch, IN
 Contractor: K&K Excavating Inc.

Plant: 100

11/25/2025 4:46:48 PM

Tech: J. Horsley - F

PC: E. Bradley



Structure ID: SSMH 477.61

P2 MH048LD07ECC

MH FLAT TOP w/ 24" ECC Hole F/F

- P3) 24" - CASTING HEIGHT - 7"
- P2) 48" - MH FLAT TOP w/ 24" ECC Hole F/F - 7"
- P1) 48" - MH BASE Custom Ht F/n - 15"
- 1) 48" - MH INVERT CHANNEL - FULL HEIGHT
- 1) JOINT WRAP - 0.065"x6"x50' CONSEAL CS212
- 1) JOINT WRAP PRIMER - CONSEAL CS-75 (1 gal.)
- 1) ADMIXTURE CONBLOCK CDA RED
- 1) CASTING - HOE MC-315 WT F/C Sanitary
- 1) 48" - Conseal CS-102 1.00" (Double)
- 2) Kor-N-Seal1 - S406-10.5W

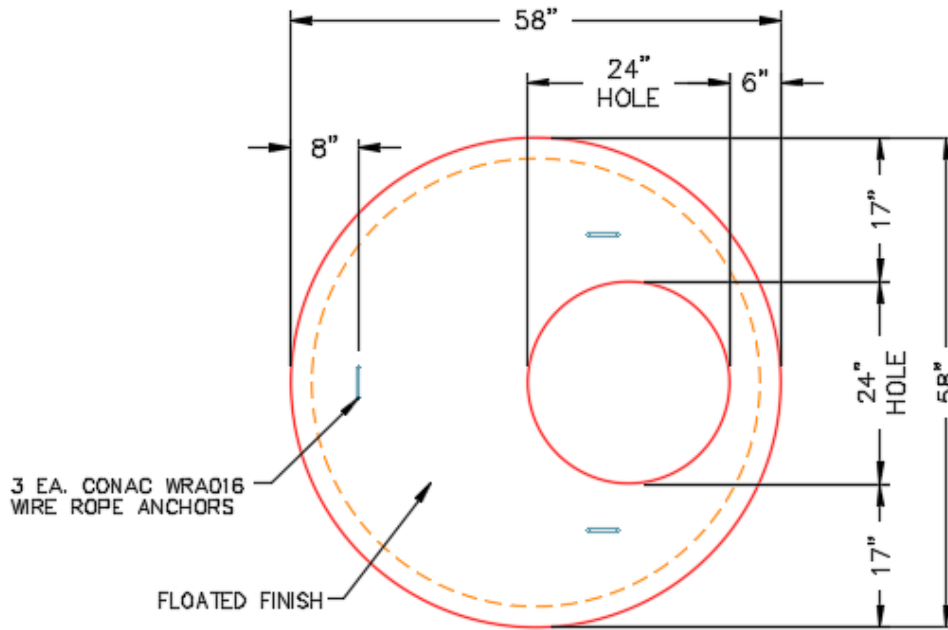
	0 lb
	1286 lb
	2305 lb
	1440 lb
	0 lb
	0 lb
	0 lb
	0 lb
	258 lb
	0 lb
	0 lb
	13 lb
Structure Total:	5302 lb

Structure Notes:

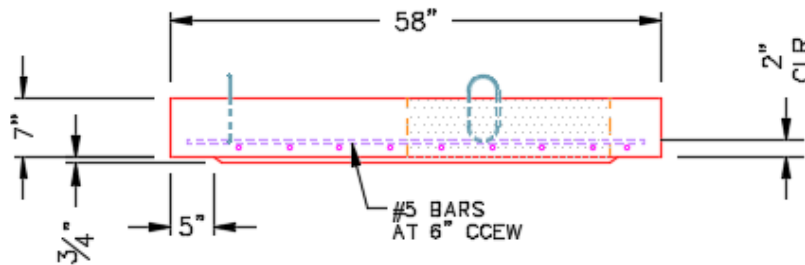
1. PER ASTM C478 SPECIFICATIONS.
2. CONCRETE = 4,000 PSI AT 28 DAYS.
3. NO STEPS.
4. ADMIXTURE = CONBLOCK CDA RED.
5. CASTING BY ICAST (HOE MC-315 WT F/C "SANITARY").

REINFORCING PER ASTM A615 (GRADE 60).

- TOP SLAB H20 LOADING.
- RISER/WALLS (As .12)
- FLOOR (As .31) #5 BARS AT 12" C.C.E.W.



PLAN VIEW



SECTION A-A

Coating (Int):
 Coating (Ext):

Seam Up: Flat
 Seam Dn: Flat

Wall Thickness: 5"

Height (Ext): 7"

Weight (Net): 1286 lb
 Volume (Net): 0.33cu.yd