

Job Name: 25-3061 - SGSC Multi Purpose Facility  
 Job Location: Fort Branch, IN  
 Contractor: K&K Excavating Inc.

Plant: 100

11/25/2025 4:46:33 PM

Tech: J. Horsley - F

PC: E. Bradley



**Structure ID: SSMH 477.61**

**P1 MH048BAVF**

**MH BASE Custom Ht F/n**

- P3) 24" - CASTING HEIGHT - 7"
- P2) 48" - MH FLAT TOP w/ 24" ECC Hole F/F - 7"
- P1) 48" - MH BASE Custom Ht F/n - 15"
- 1) 48" - MH INVERT CHANNEL - FULL HEIGHT
- 1) JOINT WRAP - 0.065"x6"x50' CONSEAL CS212
- 1) JOINT WRAP PRIMER - CONSEAL CS-75 (1 gal.)
- 1) ADMIXTURE CONBLOCK CDA RED
- 1) CASTING - HOE MC-315 WT F/C Sanitary
- 1) 48" - Conseal CS-102 1.00" (Double)
- 2) Kor-N-Seal1 - S406-10.5W

0 lb  
 1286 lb  
 2305 lb  
 1440 lb  
 0 lb  
 0 lb  
 0 lb  
 258 lb  
 0 lb  
 13 lb  
 -----  
 Structure Total: 5302 lb

Structure Notes:

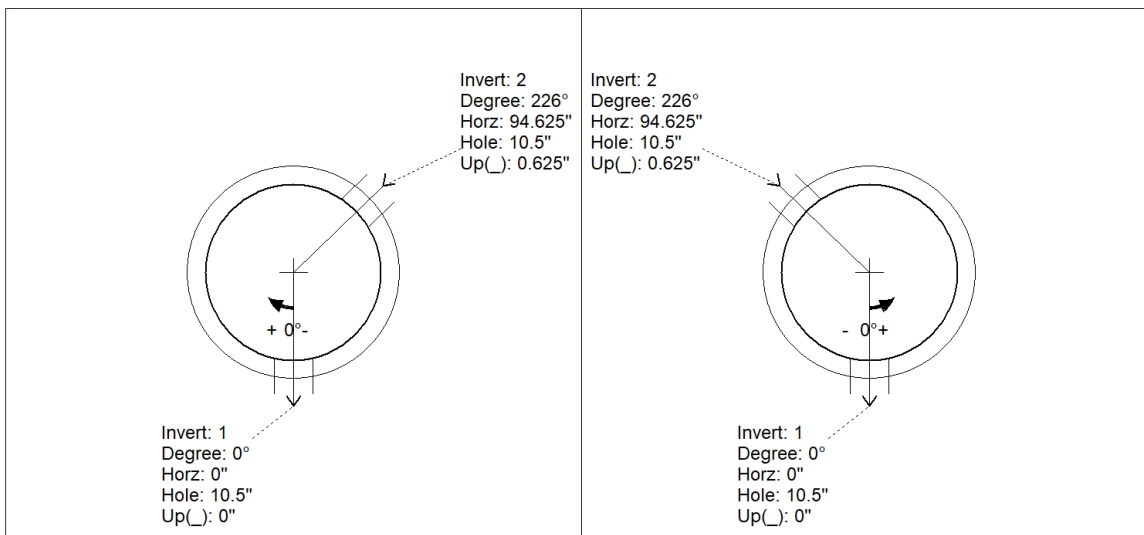
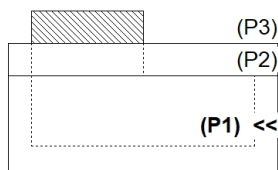
1. PER ASTM C478 SPECIFICATIONS.
  2. CONCRETE = 4,000 PSI AT 28 DAYS.
  3. NO STEPS.
  4. ADMIXTURE = CONBLOCK CDA RED.
  5. CASTING BY ICAST (HOE MC-315 WT F/C "SANITARY").
- REINFORCING PER ASTM A615 (GRADE 60).  
 - TOP SLAB H2O LOADING.  
 - RISER/WALLS (As .12)  
 - FLOOR (As .31) #5 BARS AT 12" C.C.E.W.

Rim: 479.89' Rim to Invert: 2.28' Slack: -0.39' Sump: 1.25" Step Position:

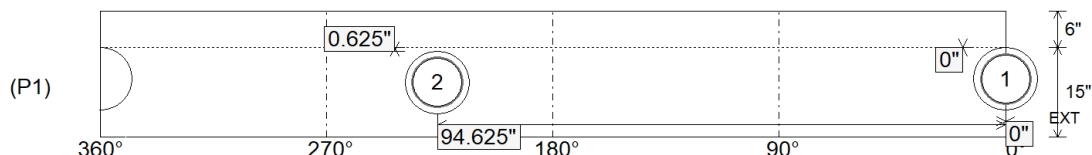
Position	Elev	Angle	Ext. (cw)	Pipe	Pipe OD	Connector	Hole	Horz Size	Up ( )	Offset
Invert 1	477.61'	0°	0"	8" PVC SDR26	8.5"	Kor-N-Seal1 S406-10.5W	10.5"	10.586"	0"	0"
Invert 2	477.66'	226°	114.375"	8" PVC SDR26	8.5"	Kor-N-Seal1 S406-10.5W	10.5"	10.586"	0.625"	0"
Invert 3										
Invert 4										
Invert 5										
Invert 6										
Invert 7										
Invert 8										

RIGHT-SIDE UP VIEW (int. dimensions)

UPSIDE-DOWN VIEW (int. dimenions)



INSIDE WALL DIMENSIONS



Coating (Int):  
 Coating (Ext):

Seam Up: Flat  
 Seam Dn: n/a

Wall Thickness: 5"  
 Floor Height: 6"

Height (Int): 15"  
 Height (Ext): 21"

Weight (Net): 2305 lb  
 Volume (Net): 0.59cu.yd

Job Name: 25-3061 - SGSC Multi Purpose Facility  
 Job Location: Fort Branch, IN  
 Contractor: K&K Excavating Inc.

Plant: 100

11/25/2025 4:46:33 PM

Tech: J. Horsley - F

PC: E. Bradley



**Structure ID: SSMH 477.61**

**P1A MH048BAVF**

**MH BASE Custom Ht F/n**

- P3) 24" - CASTING HEIGHT - 7"
- P2) 48" - MH FLAT TOP w/ 24" ECC Hole F/F - 7"
- P1) 48" - MH BASE Custom Ht F/n - 15"

- 1) 48" - MH INVERT CHANNEL - FULL HEIGHT
- 1) JOINT WRAP - 0.065"x6"x50' CONSEAL CS212
- 1) JOINT WRAP PRIMER - CONSEAL CS-75 (1 gal.)
- 1) ADMIXTURE CONBLOCK CDA RED
- 1) CASTING - HOE MC-315 WT F/C Sanitary
- 1) 48" - Conseal CS-102 1.00" (Double)
- 2) Kor-N-Seal1 - S406-10.5W

0 lb  
 1286 lb  
 2305 lb  
 1440 lb  
 0 lb  
 0 lb  
 0 lb  
 258 lb  
 0 lb  
 13 lb  
 -----  
 Structure Total: 5302 lb

Structure Notes:

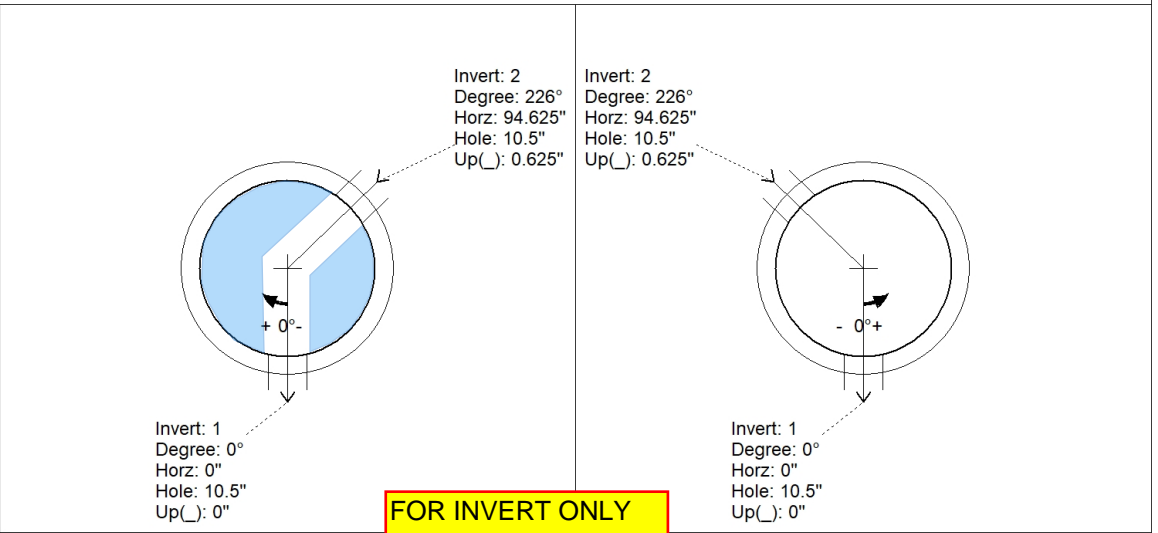
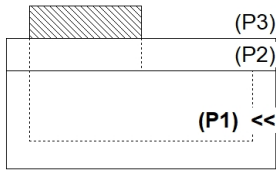
1. PER ASTM C478 SPECIFICATIONS.
  2. CONCRETE = 4,000 PSI AT 28 DAYS.
  3. NO STEPS.
  4. ADMIXTURE = CONBLOCK CDA RED.
  5. CASTING BY ICAST (HOE MC-315 WT F/C "SANITARY").
- REINFORCING PER ASTM A615 (GRADE 60).  
 - TOP SLAB H2O LOADING.  
 - RISER/WALLS (As .12)  
 - FLOOR (As .31) #5 BARS AT 12" C.C.E.W.

Rim: 479.89' Rim to Invert: 2.28' Slack: -0.39' Sump: 1.25" Step Position:

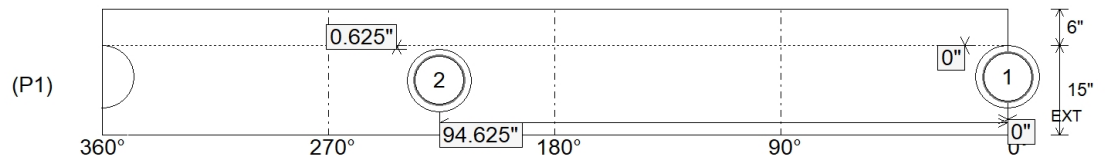
Position	Elev	Angle	Ext. (cw)	Pipe	Pipe OD	Connector	Hole	Horz Size	Up ( )	Offset
Invert 1	477.61'	0°	0"	8" PVC SDR26	8.5"	Kor-N-Seal1 S406-10.5W	10.5"	10.586"	0"	0"
Invert 2	477.66'	226°	114.375"	8" PVC SDR26	8.5"	Kor-N-Seal1 S406-10.5W	10.5"	10.586"	0.625"	0"
Invert 3										
Invert 4										
Invert 5										
Invert 6										
Invert 7										
Invert 8										

RIGHT-SIDE UP VIEW (int. dimensions)

UPSIDE-DOWN VIEW (int. dimensions)



INSIDE WALL DIMENSIONS



Coating (Int):  
 Coating (Ext):

Seam Up: Flat  
 Seam Dn: n/a

Wall Thickness: 5"  
 Floor Height: 6"

Height (Int): 15"  
 Height (Ext): 21"

Weight (Net): 2305 lb  
 Volume (Net): 0.59cu.yd