

Job Name: 25-3061 - SGSC Multi Purpose Facility
 Job Location: Fort Branch, IN
 Contractor: K&K Excavating Inc.

Plant: 100

11/25/2025 4:46:33 PM

Tech: J. Horsley - F

PC: E. Bradley



Structure ID: SSMH 477.61

P1 MH048BAVF

MH BASE Custom Ht F/n

- P3) 24" - CASTING HEIGHT - 7"
- P2) 48" - MH FLAT TOP w/ 24" ECC Hole F/F - 7"
- P1) 48" - MH BASE Custom Ht F/n - 15"
- 1) 48" - MH INVERT CHANNEL - FULL HEIGHT
- 1) JOINT WRAP - 0.065"x6"x50' CONSEAL CS212
- 1) JOINT WRAP PRIMER - CONSEAL CS-75 (1 gal.)
- 1) ADMIXTURE CONBLOCK CDA RED
- 1) CASTING - HOE MC-315 WT F/C Sanitary
- 1) 48" - Conseal CS-102 1.00" (Double)
- 2) Kor-N-Seal1 - S406-10.5W

0 lb
 1286 lb
 2305 lb
 1440 lb
 0 lb
 0 lb
 0 lb
 258 lb
 0 lb
 13 lb

 Structure Total: 5302 lb

Structure Notes:
 1. PER ASTM C478 SPECIFICATIONS.
 2. CONCRETE = 4,000 PSI AT 28 DAYS.
 3. NO STEPS.
 4. ADMIXTURE = CONBLOCK CDA RED.
 5. CASTING BY ICAST (HOE MC-315 WT F/C "SANITARY").

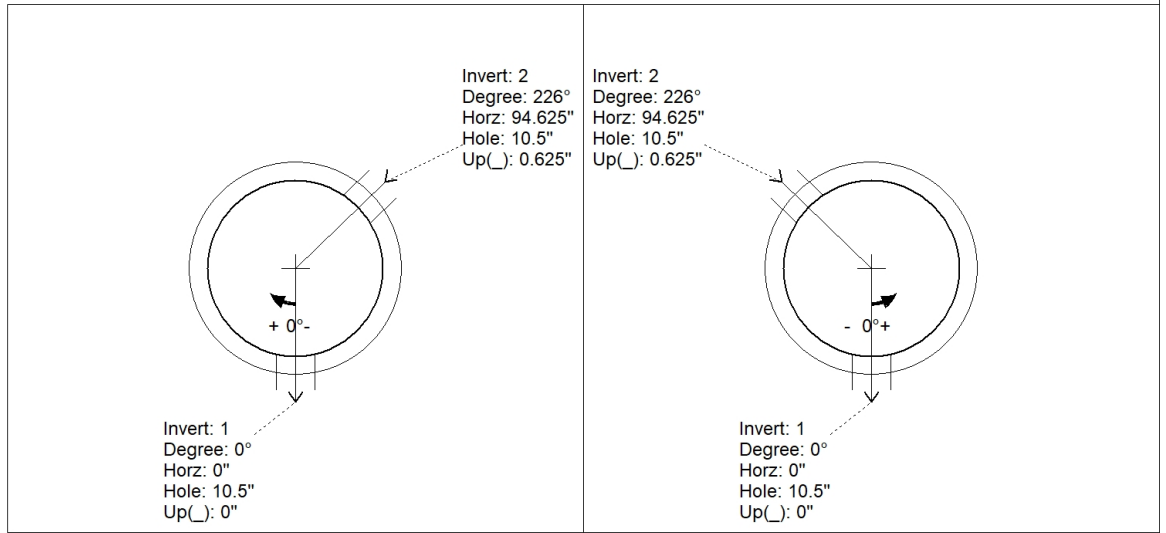
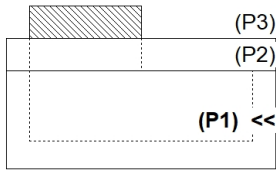
REINFORCING PER ASTM A615 (GRADE 60).
 - TOP SLAB H2O LOADING.
 - RISER/WALLS (As .12)
 - FLOOR (As .31) #5 BARS AT 12" C.C.E.W.

Rim: 479.89' Rim to Invert: 2.28' Slack: -0.39' Sump: 1.25" Step Position:

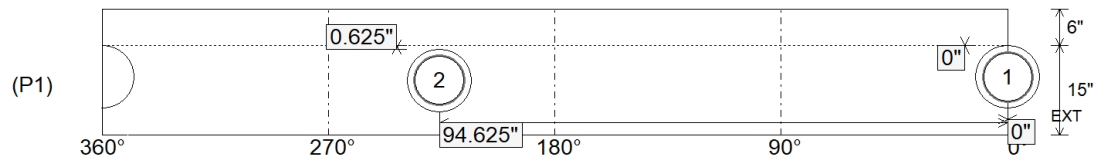
Position	Elev	Angle	Ext. (cw)	Pipe	Pipe OD	Connector	Hole	Horz Size	Up ()	Offset
Invert 1	477.61'	0°	0"	8" PVC SDR26	8.5"	Kor-N-Seal1 S406-10.5W	10.5"	10.586"	0"	0"
Invert 2	477.66'	226°	114.375"	8" PVC SDR26	8.5"	Kor-N-Seal1 S406-10.5W	10.5"	10.586"	0.625"	0"
Invert 3										
Invert 4										
Invert 5										
Invert 6										
Invert 7										
Invert 8										

RIGHT-SIDE UP VIEW (int. dimensions)

UPSIDE-DOWN VIEW (int. dimenions)



INSIDE WALL DIMENSIONS



Coating (Int):
 Coating (Ext):

Seam Up: Flat
 Seam Dn: n/a

Wall Thickness: 5"
 Floor Height: 6"

Height (Int): 15"
 Height (Ext): 21"

Weight (Net): 2305 lb
 Volume (Net): 0.59cu.yd

Job Name: 25-3061 - SGSC Multi Purpose Facility
 Job Location: Fort Branch, IN
 Contractor: K&K Excavating Inc.

Plant: 100

11/25/2025 4:46:33 PM

Tech: J. Horsley - F

PC: E. Bradley



Structure ID: SSMH 477.61

P1A MH048BAVF

MH BASE Custom Ht F/n

- P3) 24" - CASTING HEIGHT - 7"
- P2) 48" - MH FLAT TOP w/ 24" ECC Hole F/F - 7"
- P1) 48" - MH BASE Custom Ht F/n - 15"

- 1) 48" - MH INVERT CHANNEL - FULL HEIGHT
- 1) JOINT WRAP - 0.065"x6"x50' CONSEAL CS212
- 1) JOINT WRAP PRIMER - CONSEAL CS-75 (1 gal.)
- 1) ADMIXTURE CONBLOCK CDA RED
- 1) CASTING - HOE MC-315 WT F/C Sanitary
- 1) 48" - Conseal CS-102 1.00" (Double)
- 2) Kor-N-Seal1 - S406-10.5W

0 lb
 1286 lb
 2305 lb
 1440 lb
 0 lb
 0 lb
 0 lb
 258 lb
 0 lb
 13 lb

 Structure Total: 5302 lb

Structure Notes:
 1. PER ASTM C478 SPECIFICATIONS.
 2. CONCRETE = 4,000 PSI AT 28 DAYS.
 3. NO STEPS.
 4. ADMIXTURE = CONBLOCK CDA RED.
 5. CASTING BY ICAST (HOE MC-315 WT F/C "SANITARY").

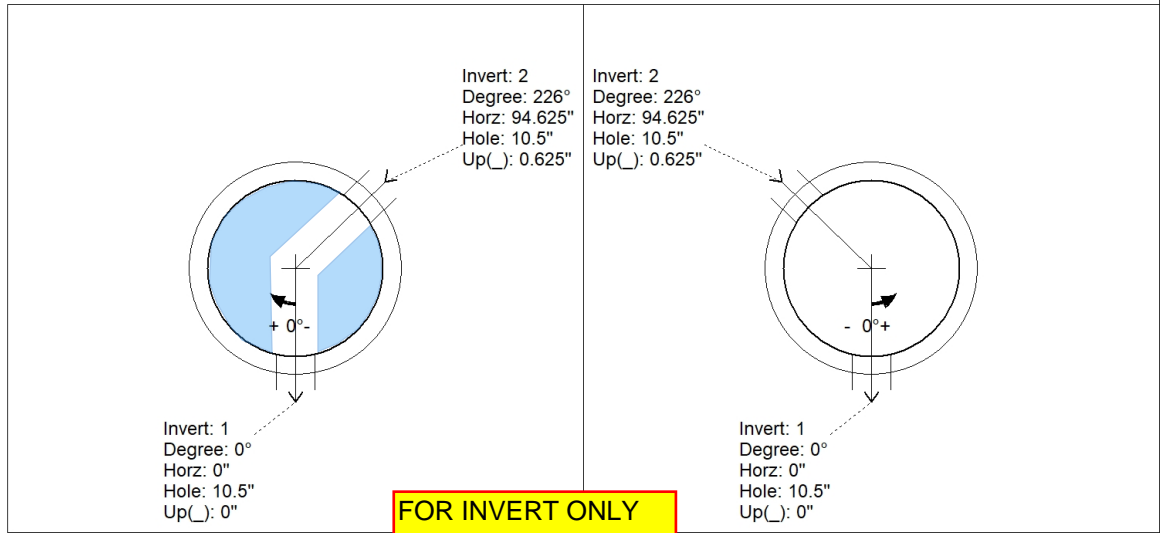
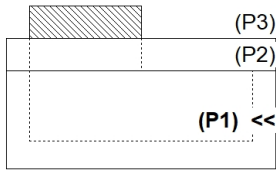
REINFORCING PER ASTM A615 (GRADE 60).
 - TOP SLAB H2O LOADING.
 - RISER/WALLS (As .12)
 - FLOOR (As .31) #5 BARS AT 12" C.C.E.W.

Rim: 479.89' Rim to Invert: 2.28' Slack: -0.39' Sump: 1.25" Step Position:

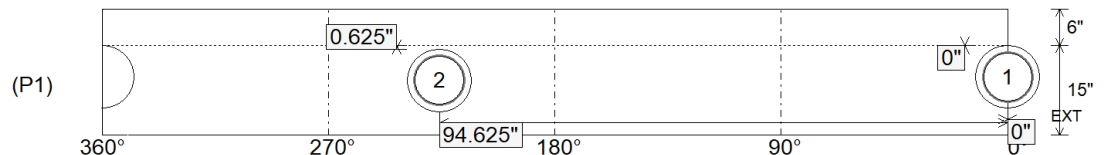
Position	Elev	Angle	Ext. (cw)	Pipe	Pipe OD	Connector	Hole	Horz Size	Up ()	Offset
Invert 1	477.61'	0°	0"	8" PVC SDR26	8.5"	Kor-N-Seal1 S406-10.5W	10.5"	10.586"	0"	0"
Invert 2	477.66'	226°	114.375"	8" PVC SDR26	8.5"	Kor-N-Seal1 S406-10.5W	10.5"	10.586"	0.625"	0"
Invert 3										
Invert 4										
Invert 5										
Invert 6										
Invert 7										
Invert 8										

RIGHT-SIDE UP VIEW (int. dimensions)

UPSIDE-DOWN VIEW (int. dimenions)



INSIDE WALL DIMENSIONS



Coating (Int):
 Coating (Ext):

Seam Up: Flat
 Seam Dn: n/a

Wall Thickness: 5"
 Floor Height: 6"

Height (Int): 15"
 Height (Ext): 21"

Weight (Net): 2305 lb
 Volume (Net): 0.59cu.yd

Job Name: 25-3061 - SGSC Multi Purpose Facility
 Job Location: Fort Branch, IN
 Contractor: K&K Excavating Inc.

Plant: 100

11/25/2025 4:46:48 PM

Tech: J. Horsley - F

PC: E. Bradley



Structure ID: SSMH 477.61

P2 MH048LD07ECC

MH FLAT TOP w/ 24" ECC Hole F/F

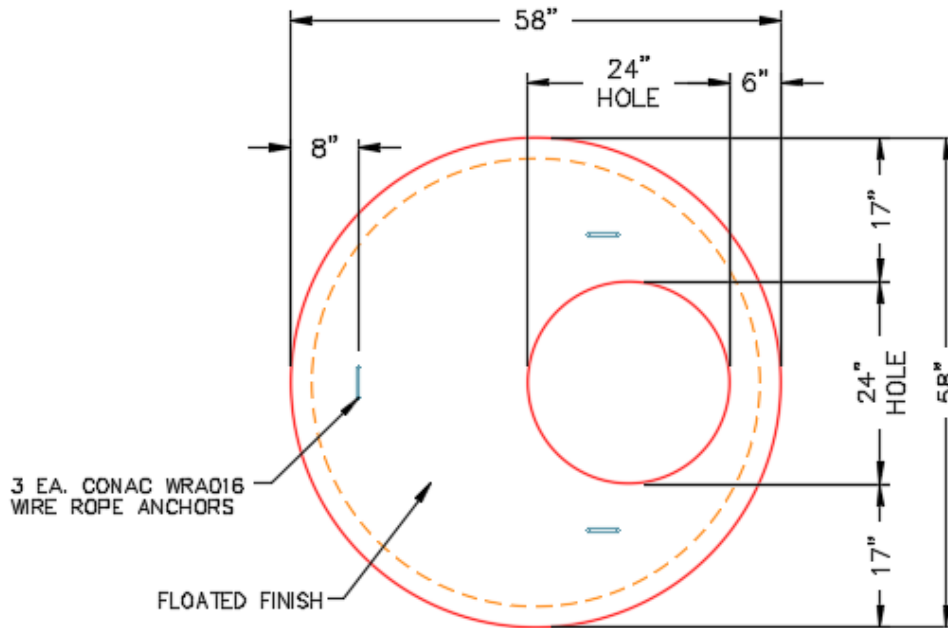
- P3) 24" - CASTING HEIGHT - 7"
- P2) 48" - MH FLAT TOP w/ 24" ECC Hole F/F - 7"
- P1) 48" - MH BASE Custom Ht F/n - 15"
- 1) 48" - MH INVERT CHANNEL - FULL HEIGHT
- 1) JOINT WRAP - 0.065"x6"x50' CONSEAL CS212
- 1) JOINT WRAP PRIMER - CONSEAL CS-75 (1 gal.)
- 1) ADMIXTURE CONBLOCK CDA RED
- 1) CASTING - HOE MC-315 WT F/C Sanitary
- 1) 48" - Conseal CS-102 1.00" (Double)
- 2) Kor-N-Seal1 - S406-10.5W

0 lb
 1286 lb
 2305 lb
 1440 lb
 0 lb
 0 lb
 0 lb
 0 lb
 258 lb
 0 lb
 13 lb

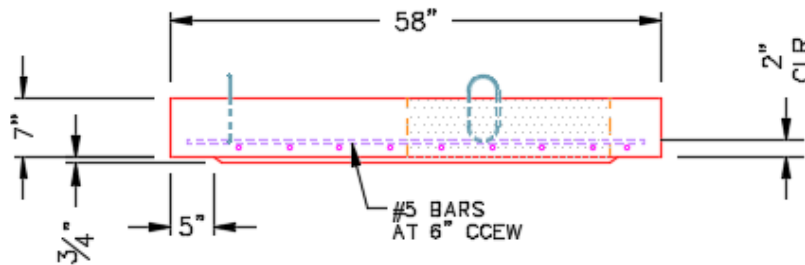
 Structure Total: 5302 lb

Structure Notes:

1. PER ASTM C478 SPECIFICATIONS.
 2. CONCRETE = 4,000 PSI AT 28 DAYS.
 3. NO STEPS.
 4. ADMIXTURE = CONBLOCK CDA RED.
 5. CASTING BY ICAST (HOE MC-315 WT F/C "SANITARY").
- REINFORCING PER ASTM A615 (GRADE 60).
 - TOP SLAB H20 LOADING.
 - RISER/WALLS (As .12)
 - FLOOR (As .31) #5 BARS AT 12" C.C.E.W.



PLAN VIEW



SECTION A-A

Coating (Int):
 Coating (Ext):

Seam Up: Flat
 Seam Dn: Flat

Wall Thickness: 5"

Height (Ext): 7"

Weight (Net): 1286 lb
 Volume (Net): 0.33cu.yd

Job Name: 25-3061 - SGSC Multi Purpose Facility
 Job Location: Fort Branch, IN
 Contractor: K&K Excavating Inc.

Plant: 100

Tech: J. Horsley - F

11/25/2025 4:56:51 PM

PC: E. Bradley



Structure ID: Storm Inlet A

P1 BX24240606VF

BOX BASE 6inW, 6inF, Variable Ht F/n

- P2) 24" x 24" - CASTING HEIGHT - 7"
- P1) 24" x 24" - BOX BASE 6inW, 6inF, Variable Ht F/n - 25"
- 1) CASTING - HOE MCB-315-R F/G
- 1) 24" x 24" - Conseal CS-102 1.00"
- 2) Hole - 16

0 lb
 1960 lb
 258 lb
 0 lb
 0 lb
 0 lb

 Structure Total: 2218 lb

Structure Notes:

1. PER ASTM C913 SPECIFICATIONS.
2. CONCRETE = 4,000 PSI AT 28 DAYS.
3. NO STEPS AND NO INVERT CHANNEL.
4. CASTING BY ICAST (HOE MCB-315-R F/G).

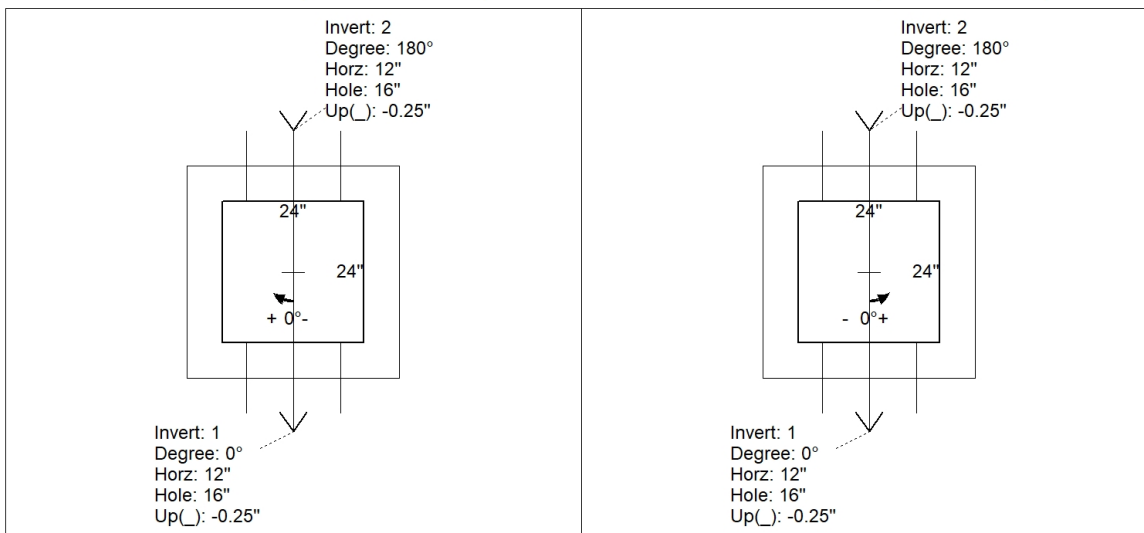
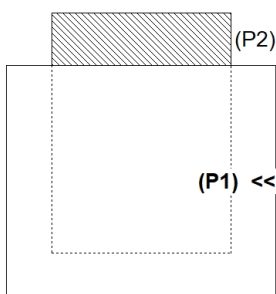
REINFORCING PER ASTM A615 (GRADE 60).
 - WALLS (As .12) #5 BARS AT 12" C.C.E.W.
 - FLOOR (As .12) #5 BARS AT 12" C.C.E.W.

Rim: 478.26' Rim to Invert: 2.67' Slack: 0.59" Sump: 0.55" Step Position:

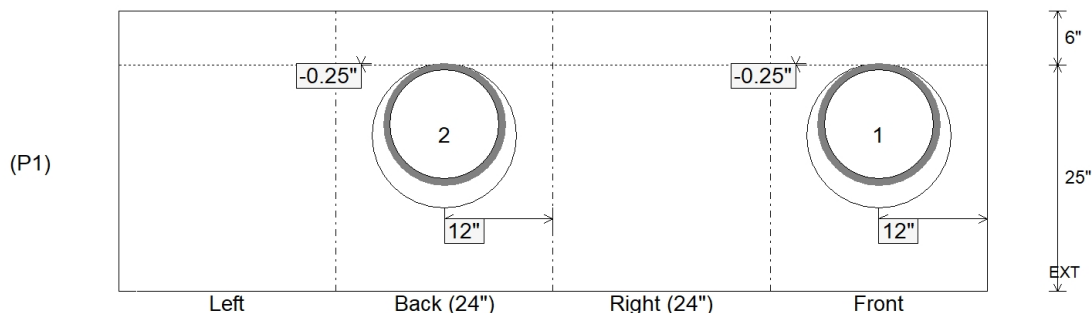
Position	Elev	Angle	Ext. (cw)	Pipe	Pipe OD	Connector	Hole	Horz Size	Up ()	Offset
Invert 1	475.59'	0°	18"	12" A-2000	13.5"	Hole 16	16"	16"	-0.25"	0"
Invert 2	475.59'	180°	18"	12" A-2000	13.5"	Hole 16	16"	16"	-0.25"	0"
Invert 3										
Invert 4										
Invert 5										
Invert 6										
Invert 7										
Invert 8										

RIGHT-SIDE UP VIEW (int. dimensions)

UPSIDE-DOWN VIEW (int. dimensions)



INSIDE WALL DIMENSIONS



Coating (Int):
 Coating (Ext):

Seam Up: Flat
 Seam Dn: n/a

Wall Thickness: 6"
 Floor Height: 6"

Height (Int): 25"
 Height (Ext): 31"

Weight (Net): 1960 lb
 Volume (Net): 0.5cu.yd

Job Name: 25-3061 - SGSC Multi Purpose Facility
 Job Location: Fort Branch, IN
 Contractor: K&K Excavating Inc.

Plant: 100

11/25/2025 4:56:53 PM

Tech: J. Horsley - F

PC: E. Bradley



Structure ID: Storm Inlet B

P1 BX24240606VF

BOX BASE 6inW, 6inF, Variable Ht F/n

- P2) 24" x 24" - CASTING HEIGHT - 7"
- P1) 24" x 24" - BOX BASE 6inW, 6inF, Variable Ht F/n - 41"
- 1) CASTING - HOE MCB-315 F/TY.B Perf. Cover
- 1) 24" x 24" - Conseal CS-102 1.00"
- 1) Hole - 16
- 2) Hole - 14
- 1) Hole - 6

0 lb
 2859 lb
 258 lb
 0 lb
 0 lb
 0 lb
 0 lb
 0 lb

 Structure Total: 3117 lb

Structure Notes:
 1. PER ASTM C913 SPECIFICATIONS.
 2. CONCRETE = 4,000 PSI AT 28 DAYS.
 3. NO STEPS AND NO INVERT CHANNEL.
 4. CASTING BY ICAST (HOE MC-315 FRAME W/ 1020B COVER BY ICAST).

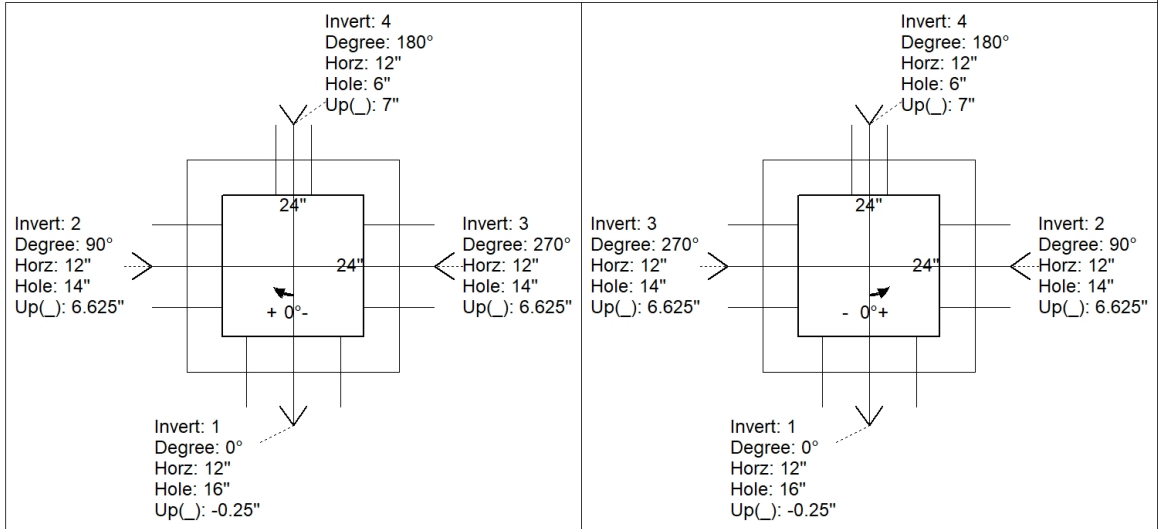
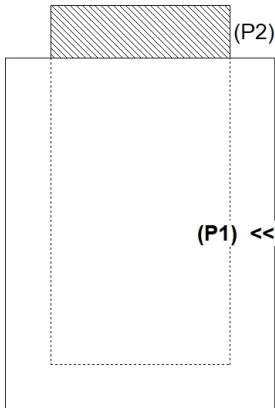
REINFORCING PER ASTM A615 (GRADE 60).
 - WALLS (As .12) #5 BARS AT 12" C.C.E.W.
 - FLOOR (As .12) #5 BARS AT 12" C.C.E.W.

Rim: 480.11' Rim to Invert: 3.98' Slack: 0.31" Sump: 0.55" Step Position:

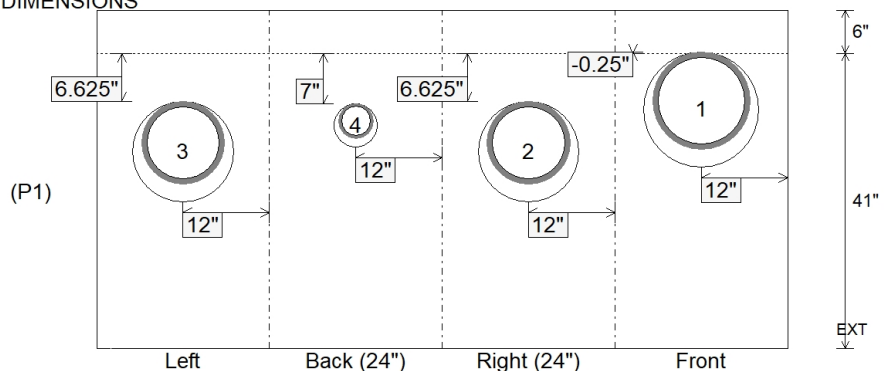
Position	Elev	Angle	Ext. (cw)	Pipe	Pipe OD	Connector	Hole	Horz Size	Up ()	Offset
Invert 1	476.13'	0°	18"	12" A-2000	13.5"	Hole 16	16"	16"	-0.25"	0"
Invert 2	476.7'	90°	18"	10" A-2000	11.5"	Hole 14	14"	14"	6.625"	0"
Invert 3	476.7'	270°	18"	10" A-2000	11.5"	Hole 14	14"	14"	6.625"	0"
Invert 4	476.7'	180°	18"	4" HDPE	4.8"	Hole 6	6"	6"	7"	0"
Invert 5										
Invert 6										
Invert 7										
Invert 8										

RIGHT-SIDE UP VIEW (int. dimensions)

UPSIDE-DOWN VIEW (int. dimensions)



INSIDE WALL DIMENSIONS



Coating (Int):
 Coating (Ext):

Seam Up: Flat
 Seam Dn: n/a

Wall Thickness: 6"
 Floor Height: 6"

Height (Int): 41"
 Height (Ext): 47"

Weight (Net): 2859 lb
 Volume (Net): 0.73cu.yd